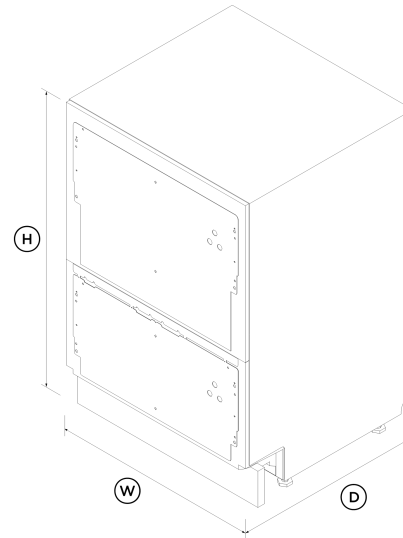


Series 11, Integrated Tall Double DishDrawer Dishwasher

- Wi-Fi capability and a SmartHQ™ app for remote control and notifications

DIMENSIONS

Height	865 - 925 mm
Width	599 mm
Depth	553 mm



FEATURES & BENEFITS

Seamless Integration

Install your DishDrawer™ Dishwasher into an existing kitchen space or integrate into kitchen cabinetry. The touch-sensitive control panel is located inside this Integrated model, leaving an uninterrupted exterior that blends seamlessly with surrounding cabinetry.

Ease Of Use

DishDrawer™ Dishwashers are beautiful to use with soft-close drawers. The tall top drawer fits your larger plates and dishes up to 310mm, while the bottom drawer is ideal for small washes. Flexible racking includes height-adjustable cup racks and wine glass supports.

True Half Load

Both drawers fit a true half load. Each drawer operates independently, so you can wash one load while stacking the other drawer, or wash simultaneously on separate cycles.

Flexible Wash Options

Eight wash programs including Auto, 60min and Glassware, while modifiers such as Sanitise, Extra Dry and Quiet provide added wash flexibility. The Quiet wash modifier reduces the noise on some cycles while maintaining performance - perfect for late night washing.

Design Quality

Every detail has been carefully crafted using quality materials, from the easy-to-clean stainless steel interior to the spray arm sensor that detects jams for increased wash confidence.

Knock To Pause

For ease-of-use, these DishDrawer™ Dishwashers have a knock to pause function. A knock on the front panel will pause the dishwasher, which can be restarted by using the start button.

Efficient Performance

Our DishDrawer™ Dishwashers use the energy they need without compromising on wash performance.

SPECIFICATIONS

Accessories (included)

Cutlery basket	•
Kickstrip	true

Integrated



<p>Integrates seamlessly into kitchen cabinetry. Each drawer features a premium stainless steel interior and operates independently, for flexible washing.</p>

- Eight wash cycles from Heavy to Light, including Auto, 60min and Glassware
- Fits plates up to 310mm, with flexible racking to accommodate other large cookware
- With soft-close drawers, and knock to pause convenience

Knife clip and multipurpose clip •

Software updates •

SmartDrive™ technology •

Soft close drawer •

Accessories (sold separately)

Consumption

Performance

Energy rating **D**

Energy usage **49kWh/100 cycles per drawer**

In-use energy carbon emissions estimate **14.0kgCO₂e/100 cycles per drawer**

Water usage (per wash cycle) **6.4L per drawer**

Noise on standard cycle top drawer **45 dBA**

Door panel black stainless steel **ADDD60DTPB**

Door panel stainless steel **ADDD60DTPX**

Handle kit Classic **AHCL-DDDW-60X**

Handle kit Contemporary round, aluminium **AHS-OBDD-60S**

Handle kit Contemporary square fine, aluminium **AHD5-OBDD-60SX**

Handle kit Contemporary square fine, black **AHD5-OBDD-60SB**

Handle kit Contemporary square, aluminium **AHD3-OBDD-60S**

Handle kit Contemporary square, black **AHD3-OBDD-60B**

Power requirements

Amperage **10A**

Supply frequency **50Hz**

Supply voltage **220 - 240V**

Capacity and loading

Controls

Electronic fault/Diagnostic indicator •

End of cycle beeps •

Energy saving delay start option of up to 12 hours •

Internal wash selector •

Keylock •

Knock to pause •

Rinse aid indicator light •

Smart appliance •

Spray arm sensing •

Product dimensions

Depth **553 mm**

Height **865 - 925 mm**

Width **599 mm**

Accommodates round plates up to (lower drawer) **280mm**

Accommodates round plates up to (upper drawer) **310mm**

Adjustable height, foldable cupracks •

Fold down tines •

Pitch adjustable tines •

Place settings **12**

Place settings per drawer **6**

Wine glass supports with stemware grippers •

Features

Built-in water softener •

Fan assisted drying •

Flood protection •

Flow through detergent dispenser •

Internal tub material **Stainless steel**

Motor type **BLDC**

Quiet operation •

Wash Program Modifiers

Dry + •

Quiet •

Sanitise •

Wash modifiers **3**

Connected Features

Alerts and notifications •

Education and onboarding •

Monitoring •

Wash Programs

60 min •

Auto •

Eco •

Glassware	•
Heavy	•
Light	•
Medium	•
Rinse	•
Wash programs	8

- [↓](#) Product Information Sheet
- [↓](#) Revit
- [↓](#) Rhino
- [↓](#) SketchUp
- [↓](#) Care & Maintenance Guide (English)
- [↓](#) Standards and Wash Program Data (English)

Where applicable:

All appliances use energy, and energy usage typically generates carbon emissions. **Fisher & Paykel Appliances' In-use Energy Carbon Emissions Estimate** indicates carbon emissions from a product's in-use energy. This is calculated either annually or per cycle, using the product's market-specific energy label energy consumption data multiplied by the carbon emissions factor for energy in your country or region.

Our In-use Energy Carbon Emissions Estimate is designed to assist customers in making informed purchasing decisions when comparing different Fisher & Paykel products. For example, a heat pump dryer typically has a lower In-use Energy Carbon Emissions Estimate than a vented dryer.



A PEACE OF MIND SALE
24 Hours 7 Days a Week Customer Support
 T 1800 625174 W www.fisherpaykel.com

Water connection

Water pressure	100kPa - 1000kPa
Water supply	3/4" BSP (20mm) Connector Water Inlet Hose

SKU 82172

The product dimensions and specifications in this page apply to the specific product and model. Under our policy of continuous improvement, these dimensions and specifications may change at any time. You should therefore check with Fisher & Paykel's Customer Care Centre to ensure this page correctly describes the model currently available. © Fisher & Paykel Appliances Ltd 2020

Other product downloads available at fisherpaykel.com

- [↓](#) DWG
- [↓](#) DXF
- [↓](#) Declaration of Conformity (English)
- [↓](#) Energy Label
- [↓](#) First Use (English)
- [↓](#) Installation Guide (English)
- [↓](#) Planning Guide (English)