

Integrated Column Wine Cabinet, 61cm

Series 11 | Integrated

Panel Ready | Right Hinge



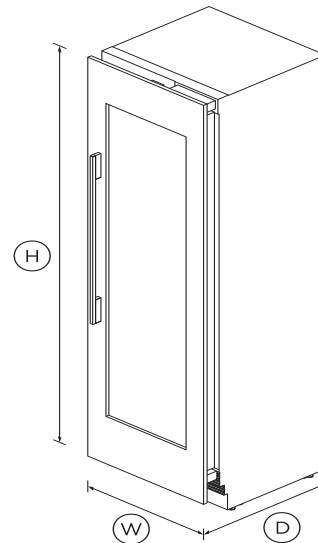
Create a wine collector's ultimate kitchen with a panel ready Column Wine Cabinet that seamlessly integrates into your kitchen design.

- A generous 91 bottle capacity, with optional display capability for your favourite bottles
- Two independent Variable Temperature Zones, each with four wine modes to create the best environment for any varietal
- Pair with Integrated Column Refrigerators and Freezers or install separately to suit your kitchen design

- Customise with your own cabinetry, or purchase our stainless steel door panel. Designed to fit flush, with minimal 3mm gaps

DIMENSIONS

Height	2134mm
Width	603mm
Depth	610mm



FEATURES & BENEFITS

The perfect fit

Customise your Integrated Column Wine Cabinet with a door panel that matches your kitchen cabinetry, or purchase our stainless steel door panel accessory. You can also choose your preferred handle style, opt for left or right hinge, as well as mix and match with other Integrated Column Refrigerator and

Freezer models.

OPTIMAL WINE CARE

To provide the optimal storage environment for your collection, your Integrated Column Wine Cabinet has been engineered to maintain a consistent temperature throughout both zones. An activated carbon filter in each compartment clears the air of pollutants to ensure your wine is perfectly cared for.

Precise temperature control

Four specially developed wine modes provide optimal temperatures for serving and cellaring different types of wine. Red, White, Sparkling and Cellar modes ensure that each bottle gets the care it needs to be enjoyed at its best. You can also adjust manually in 0.5°C increments between 6-18°C.

Reduced vibration

Vibration can dull flavor and cause other unwanted issues in wine. With a quiet, low vibration compressor, full-extension slides with white oak shelving, and other strategically chosen absorptive materials, the Integrated Column Wine Cabinet carefully maintains the flavour profile of every drop.

Customisable lighting

The tinted glass door effectively filters out UV light, allowing your wine to mature at its natural pace. LED lighting provides four beautiful illumination options to showcase the highlights of your collection, from a candlelit ambience to a brilliant display lighting. Display mode automates the lighting cycle to show off your collection on special occasions.

Curate your collection

Showcase your collection with accessories for our Integrated Column Wine Cabinet. Independent cradles can be adjusted to create your ideal display angle, while a water-based pencil and aluminium labels offer a stylish way to catalogue your wine.

SPECIFICATIONS

Accessories (sold separately)

Door panel stainless steel Wine	RD6121VR4 (right hinge),
Handle kit Contemporary	AHD5RDSF
Handle kit Contemporary	AHD5RDSFB
Handle kit Professional round	AHP3RDSF
Joiner kit	AJ-RS21LR
Toe kick stainless steel	AKRS10710
Toe kick stainless steel	AKRS12210
Toe kick stainless steel	AKRS13710
Toe kick stainless steel	AKRS15210
Toe kick stainless steel 610mm	AKRS06110
Toe kick stainless steel 762mm	AKRS7610
Wine display kit (four cradles	ADV4
Wine display label kit (14 labels	ALV14
Wine filter odour kit	863974

Capacity

Number of bottles	91
Total net volume	376L
Volume	376L

Consumption

Energy consumption	130kWh/year
Energy rating	F
In-use energy carbon	25.8kgCO2e/year

Features

Air filter lower compartment	•
Air filter upper compartment	•
Door alarm	•
Full extension display shelf	1

Full extension storage racks	13
LED ceiling lighting	•
LED side lighting	•
Low vibration compressor	•
Precision ball-bearing runner	•
SmartTouch interface at	•
Soft-mounted wine racks	•
UV tempered glass door	•

Performance

ActiveSmart™ wine care	•
Dual evaporator	•
Inverter controlled compressor	•
Noise emissions	42dBA
Noise emissions class	D
Sabbath mode	•
Variable temperature zones	2
Variable wine modes	Red, White, Sparkling, Cellar

Power requirements

Rated current	10A
Supply frequency	50Hz
Supply voltage	220-240V

Product dimensions

Depth	610mm
Height	2134mm
Width	603mm

Warranty

Parts and labour	5 years
------------------	----------------

SKU	25748
-----	--------------

The product dimensions and specifications in this page apply to the specific product and model. Under our policy of continuous improvement, these dimensions and specifications may change at any time. You should therefore check with Fisher & Paykel's Customer Care Centre to ensure this page correctly describes the model currently available. ? Fisher & Paykel Appliances Ltd 2020



A PEACE OF MIND SALE

24 Hours 7 Days a Week Customer Support

T 08000 886 605 W www.fisherpaykel.com