

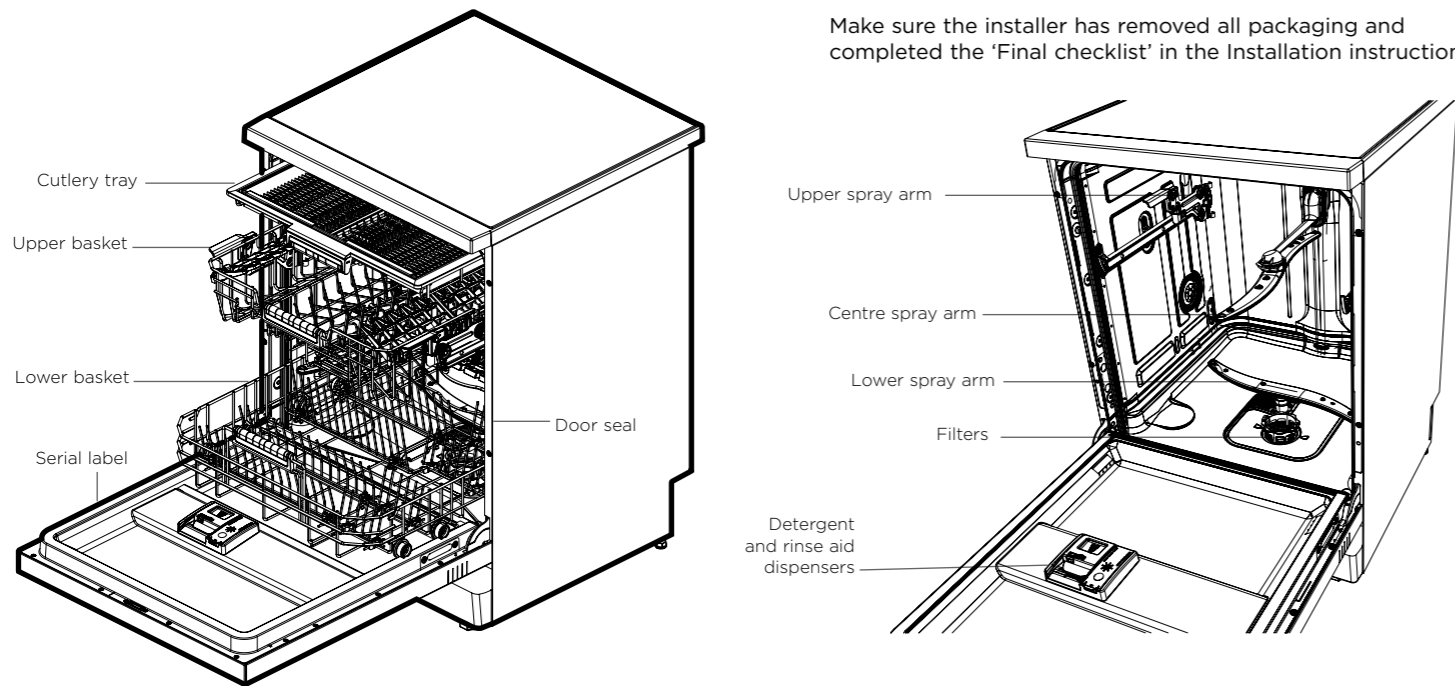
DISHWASHER - DW60U6*, DW60UD6*, DW60UZ6*

NZ AU

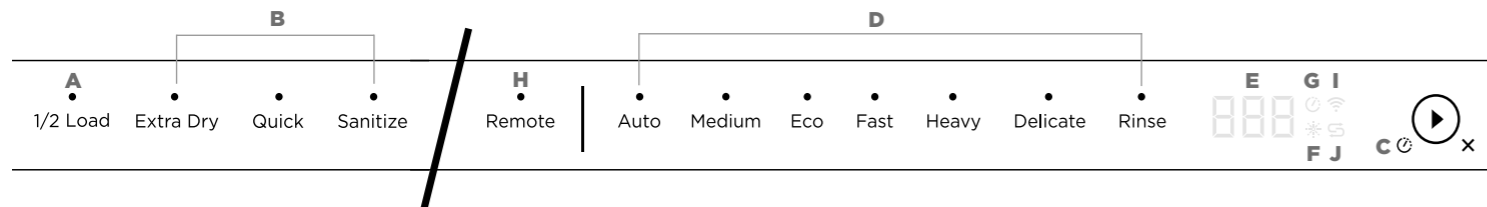
- For detailed information on the features of your dishwasher > see your 'User guide'
- For warranty information > see your 'Service and warranty' booklet
- If you...
 - have any questions or comments > see your 'Service and warranty' booklet or contact us
 - need a Fisher & Paykel authorized technician to service your product > NZ toll-free, 24/7 0800 372 273
 - need replacement parts or accessories > AU toll-free, 24/7 1300 650 590
 - want to register your product > www.fisherpaykel.com

PRODUCT OVERVIEW

Make sure the installer has removed all packaging and completed the 'Final checklist' in the Installation instructions.

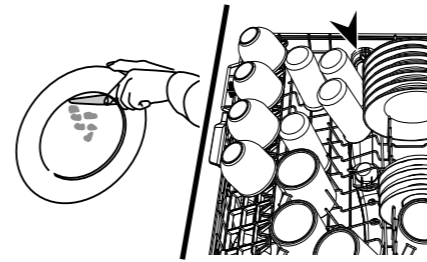


CONTROLS OVERVIEW

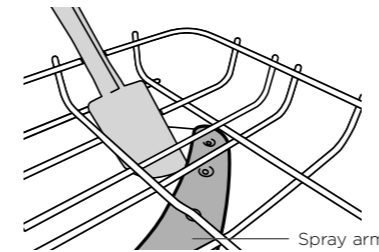


- Controls Description**
- A Half load selector 1/2**
Touch to select
If lit: half load function is activated
 - B Wash modifier selector**
Touch to select wash modifier
(See 'Setting wash modifiers')
 - C Start wash or set Delay start**
Touch and hold ▶ to enter delay start
(See 'Set Delay start')
 - D Wash programme selectors**
Touch desired wash programme to select.
 - E Display**
This shows:
 - the time remaining (minutes)
 - the delay start time (hours)
 - Fault code numbers
(See section 'If there is a fault code')
 - F Rinse aid indicator**
If lit: Rinse aid dispenser requires filling.
 - G Delay start indicator**
If lit: start is delayed
 - H Remote mode (if available)**
Visit www.fisherpaykel.com/connect for more information.
 - I Wireless indicator (if available)**
Visit www.fisherpaykel.com/connect for more information.
 - J Salt indicator (if applicable)**
If lit: salt reservoir is empty

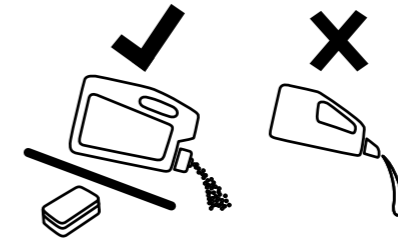
Starting a wash



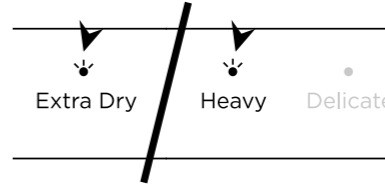
- ① **Discard food scraps and load dishes carefully**
 - Scrape large food particles off (e.g. bones, fruit stones) and remove any foreign objects (e.g. toothpicks, strings, paper).
 - To help with wash performance, arrange dishes so they are evenly spaced and not nesting.
For more detail, see user guide: 'Caring for your dinnerware' 'Loading'



- ⑤ **Check that nothing obstructs the spray arms, then close the door firmly**



- ② **Add detergent**
 - Fill the detergent dispenser with powdered detergent and close the dispenser door or place a dishwasher tablet in the cutlery basket.
For more detail, see user guide: 'Water hardness and dishwashing' 'Wash programmes and detergent quantities' 'Adding detergent'



- ⑥ **Select wash programme**
 - Touch desired programme to select
- ⑦ **Select wash modifiers (optional)**
 - Touch desired wash modifier option
 - not all modifiers are available for every wash programme
 - only one modifier can be set at a time
 - *For more detail, see user guide: 'Setting wash modifiers'*



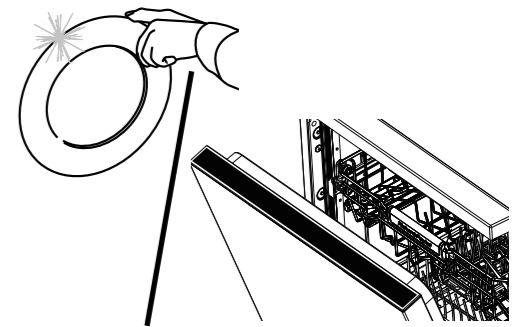
- ③ **Turn power on (also check water is turned on)**
For more detail, see user guide: 'Controls and starting a wash'
- ④ **Check rinse aid level, refill if necessary**
 - If the rinse aid level is low, the rinse aid indicator on the display will light up.
 - Press the button to snap the dispenser cover open
 - Pour rinse aid into the circular opening (up to the MAX marking)
 - Wipe up any spills and click shut the cover.
For more detail, see user guide: 'Using rinse aid'

Auto	Senses the optimal wash programme for your dishes
Medium	Dishes that are quite heavily soiled or food soils that have been left to dry overnight
Eco	Normally soiled dishes for optimum water and energy usage
Fast	Lightly soiled dishes
Heavy	Heavily soiled pots, pans and dishes
Delicate	For lightly soiled and heat sensitive crockery
Rinse	Prevents odours and soils from drying on dishes

- ⑧ **Touch ▶ to start the wash programme OR set Delay start**
 - Press and hold start button to start delay. Touch ▶ again to increase the time (in hours).
For more detail, see user guide: 'Setting Delay start'
- To cancel a wash once it has started**
 - Open the door carefully to pause the wash. Touch and hold ▶ until a beep is sounded. The wash cycle and modifiers will go out and the display will turn off.
- If you wish, you can start a different programme.
Note: you may need to refill the detergent dispenser.

- To pause and restart a wash programme**
- Open the door carefully to pause the programme.
- IMPORTANT!**
There is a risk of being sprayed with hot water. Do not fully open the door until the spray arms have stopped rotating.
- The time remaining will flash and the pause beep will sound while the dishwasher is paused.
 - Load, remove, or rearrange any dishes if needed.
 - Press the start button and close the door in 4s to restart the programme.

After the wash has ended



- ⑨ The dishwasher will beep. The display will show 0. After 30 seconds the display will turn off.
- ⑩ **Open the door slightly and leave ajar to help drying. Once cooled, unload dishes carefully.**
For more detail, see user guide: 'After the wash'
 - Check condition of dishwasher, clean if necessary.

UPPER BASKET

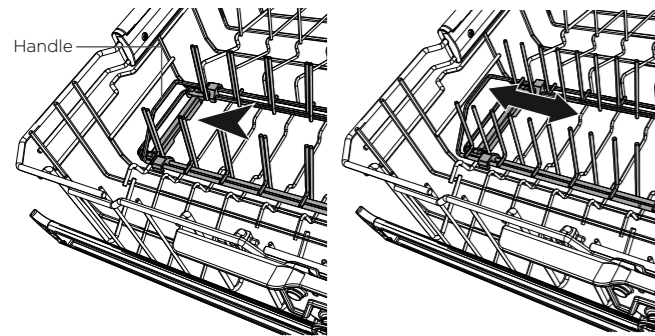
- The upper basket is designed to hold items like glasses, cups, saucers, plates, small bowls and shallow pans.
- Place larger utensils on or under the foldaway cup racks in the upper basket. Ensure that knife blades are facing down and that light weight items are weighted down or placed on the cupracks.

Removable spacing-adjustable tine rack

- Designed to fit deep bowls (wide spacing) or small plates (narrow spacing), depending on adjustment.
- To adjust between wide and narrow spacings, slide the tines backward or forward by pushing or pulling the handle at the front.

To adjust the tine spacing

- To adjust between wide and narrow spacings, slide the tines backward or forward by pushing or pulling the handle at the front.



Adjustable Foldaway Cup Racks

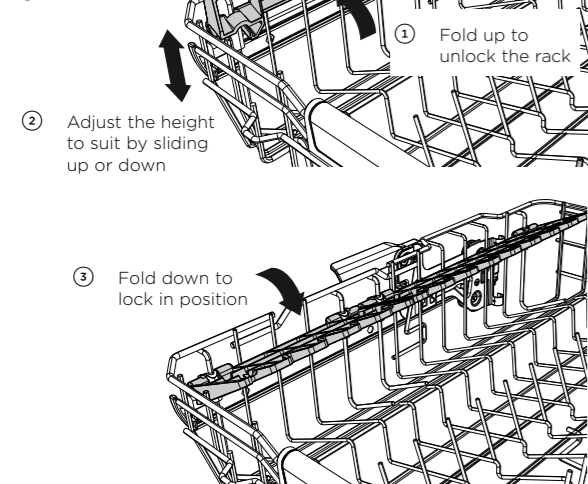
- Use the cup racks to support mugs, cups and glassware, and to secure large utensils and knives.
- Adjust the height to suit the items stored on or below the racks.
- Fold the racks away if you need to make space for taller items.

You can adjust these independently of each other to any height:

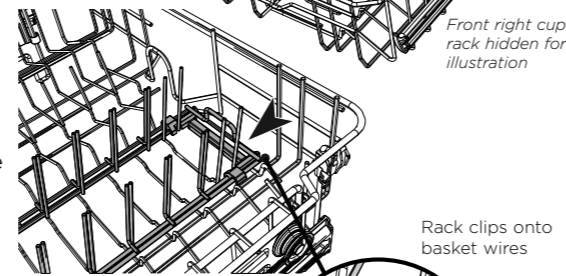
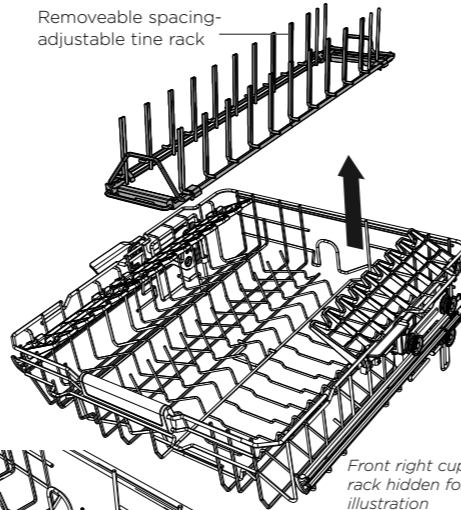
- Fold up to unlock the rack.
 - Adjust the height to suit by sliding up or down.
 - Fold down to lock in position.
- Fold the racks away if you need the space.

Stemware notches

These notches help support long-stemmed glassware.



Removeable spacing-adjustable tine rack



If needed, remove the rack to make space for larger items.

To remove the rack
Lift the rack up by the handle at the front and slide out the hooks at the rear.

To replace the rack
Slot the hooks at the rear of the rack onto the base of the basket and lower the rack into place.

Adjusting the height of the Upper Basket

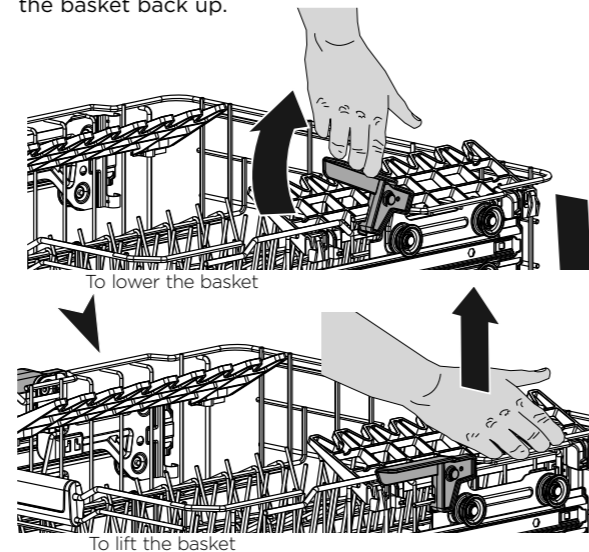
- Raise or lower the height of the upper basket to create more space for tall items in either basket (there are three positions to choose from).
- You can adjust the height even when it is fully loaded, as you do not have to remove it from the dishwasher.
- Make sure the basket is evenly adjusted on both sides.
- If you are removing the basket fully, make sure that the runners are aligned at the same height on both sides before re-inserting.

To lower the basket

- Pull the lever up on one side and, without releasing it, carefully let the basket drop down. Use the other hand to support the opposite side of the basket, so that it doesn't drop suddenly and damage loaded dishes.
- Repeat for the other side.

To lift the basket

- Hold it on one side and carefully pull upwards until it clicks into place. Repeat for the other side.
- Note: you do not need to lift the levers up when raising the height of the basket back up.

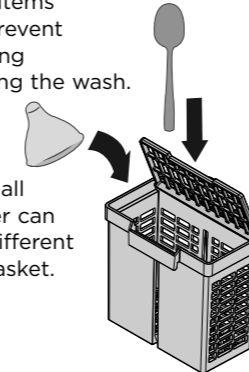


LOWER BASKET

- Use the lower basket for your largest dishes: pots, pans, lids, serving dishes and bowls.
- Ensure dishware items do not block the spray arm above from rotating.
- Place larger plates between the longer tines to maximise stability.
- If you need more height for tall items, you can raise the upper basket. See instructions opposite.

Removable small items container

- Small, light items like teaspoons or baby bottle teats are best placed into the small items container to prevent them from being displaced during the wash.
- To optimise the space within the basket, the small items container can be placed in different areas of the basket.

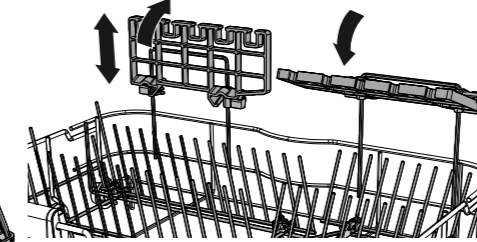


Adjustable wine glass support racks

- Use to support wine glasses and stemware.
- Adjust the height to suit the items stored below the racks.
- Fold the racks away if you need to make space for taller items.

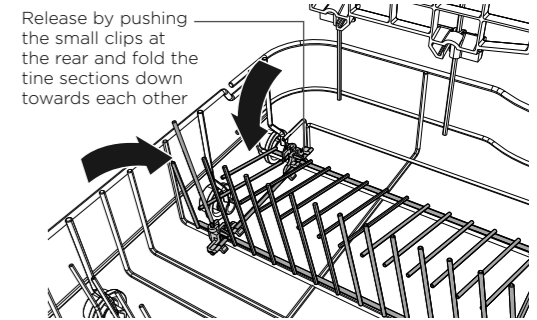
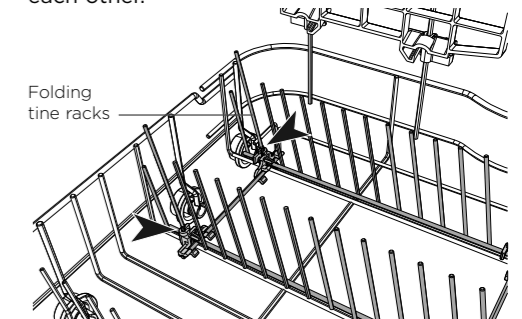
You can adjust these independently of each other to any height:

- Fold up to unlock the rack.
 - Adjust the height to suit by sliding up or down.
 - Fold down to lock in position.
- Fold the racks away if you need the space.



Folding tine rack

- These tines can be folded down if you need the space for pots or other large items.
- Release by pushing the small clips at the rear and fold the tine sections down towards each other.

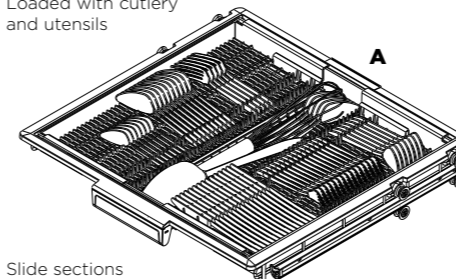


CUTLERY TRAY

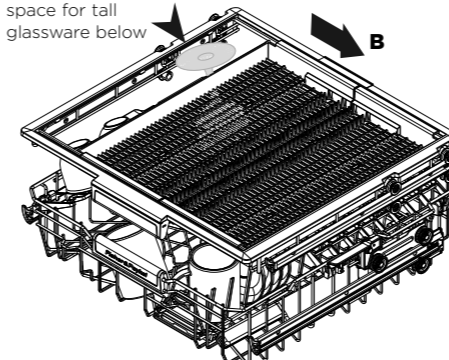
Loading the cutlery tray

- The cutlery tray is designed to hold cutlery and utensils (A).
- Use the cutlery tray to securely hold long or sharp items like knives, chopsticks or ladles. Place larger utensils in the middle section of the tray, and ensure that knife blades are facing down.
- Arrange cutlery items on their side using the notches in the trays.
- Slide side sections to the centre if you need space for tall items below (B).

Loaded with cutlery and utensils



Slide sections across to clear space for tall glassware below

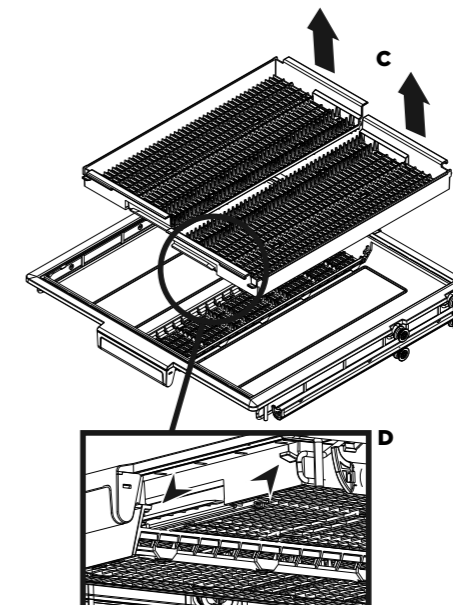


Removeable Sections

- To remove the side sections from the main tray (C)**
- Slide the sections to the centre of the tray.
- Lift each section up from the centre of the tray to unhook the runners, then lift the section up and out.

To refit the side sections into the main tray (D)

- Refit the sections back into the centre of the tray.
- Slot the hooks at either end of the section under the runners on the front and back of the tray.
- Align the edges of the section with the runners and clip back into place.

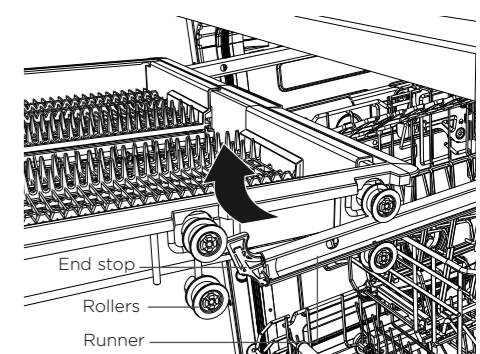
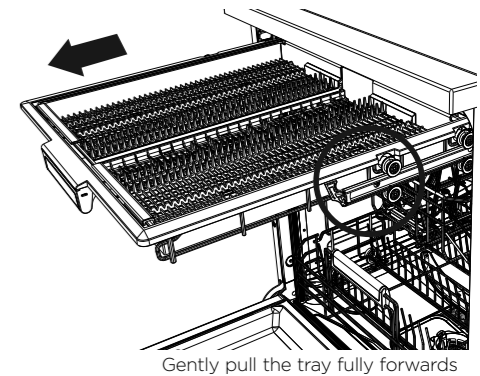


Remove the Cutlery tray

- To remove the cutlery tray**
- Gently pull the tray fully forwards and lift it clear of the runners.

To replace the cutlery tray:

- Place the tray back onto the runners and click the rollers correctly into place.
- Make sure that the runners are properly aligned between the sets of rollers on both sides of the tray.



Lift the rollers clear of the end stops and then the tray clear of the runners