

# Freestanding Cooker, Induction, 90cm, 5 Zones with SmartZone

Series 7 | Classic

Black

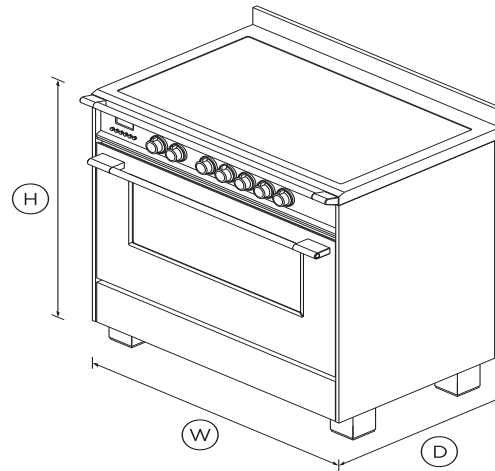


Heritage styling with contemporary performance in the large convection oven and induction cooktop, with SmartZone capability.

- Five cooking zones, with the ability to pair zones to create SmartZones
- Convection oven with 140L total capacity and nine oven functions including Pastry Bake with pizza mode and rapid proof for making bread
- Non-tip full-extension shelves for safe removal of hot dishes

## DIMENSIONS

Height	898 - 946mm
Width	897mm
Depth	600mm



## FEATURES & BENEFITS

### Multi-shelf cooking

Our AeroTech™ system circulates air evenly throughout the entire oven so dishes on the top shelf turn out just as perfectly as food cooking on the bottom shelf.

### Quality and durability

Every detail has been carefully crafted. The solid, perfectly balanced soft-close door, durable cooktop and glowing halo dials all add up to an exceptional, premium range.

### Power & control

Instant and immediate control from the highest to the gentlest heat. The finely tuned cooktop controls let you sear, stir fry or simmer a delicate sauce to perfection.

### Even heat

Accurate, electronically-controlled oven heat ensures a great result every time.

### Large capacity oven

The generous 140L total capacity oven gives you plenty of space to cook multiple dishes at once.

### Large, flexible cooking area

SmartZone links two cooking zones and controls them as one, giving you the flexibility to use large pans and griddles and easily handle bigger food items such as a whole fish.

## SPECIFICATIONS

### Accessories

Chromed shelf runners	1 set
Flat wire shelf	1
Full extension sliding shelves	1 set (part 578744)
Full extension telescopic	1 set (part 578744)
Grill rack	•
Roasting dish	1
Step down wire shelf	•

### Accessories (sold separately)

Kick strip, black (optional)	KICKOR90B1
Kick strip, stainless steel	KICKOR90X1
Kick strip, white (optional)	KICKOR90W1

### Capacity

Shelf positions	6	Full extension telescopic	•	Height	898 - 946mm
Shelf positions (main oven)	6	Internal light	4 x 25W halogen (2 side & 2	Width	897mm
Total capacity	140L	Soft open/close door	•	<hr/>	
Usable capacity (main oven)	121L	Storage drawer	•	<b>Cooktop Features</b>	
<hr/>		True convection	•	Auto heat reduce	•
<b>Cleaning</b>		Twin cavity fans	•	Dual colour display	•
Acid resistant graphite enamel	•	<hr/>		Gentle heat	•
Drop down grill element	•	<b>Oven functions</b>		Heat settings	9
Flat easy clean glass surface	•	Bake	•	Hob rail	•
Removable oven door	•	Classic bake	•	Induction cooking technology	•
Removable oven door inner	•	Fan bake	•	SmartZone	1
Removable shelf runners	•	Fan forced	•	Zone bridging	•
<hr/>		Fan grill	•	<hr/>	
<b>Controls</b>		Grill	•	<b>Cooktop Performance</b>	
Audio feedback	•	Number of functions	9	Centre	2300W
Automatic cooking/minute	•	Pastry Bake with Pizza mode	•	Left front	1600W
Automatic pre-set	•	Rapid proof	•	Left rear	2100W
Celsius/Fahrenheit	•	Roast	•	PowerBoost	•
Electronic clock	•	True convection	•	<hr/>	
Laser etched graphics	•	<hr/>		<b>Safety</b>	
Precise electronic temperature	•	<b>Oven performance</b>		Advanced cooling system	•
Sabbath mode	•	CoolTouch door	Triple glazed	Anti-tilt bracket	•
Toughened fused glass	•	<hr/>		Balanced oven door	•
Turned stainless steel clock	•	<b>Power requirements</b>		Child lock	•
<hr/>		Amperage	67A	CoolTouch door	•
<b>Oven features</b>		Supply frequency	50Hz	Full extension telescopic	1 set (part 578744)
AeroTech™ technology	•	Supply voltage	220-240V	Full extension telescopic	•
Automatic rapid pre-heat	•	<hr/>		Non-tip shelves	•
Bright chromed, cast zinc dials	•	<b>Product dimensions</b>		Pan detection system	•
Electronic oven control	•	Depth	600mm	Safety time out	•

- Spillage auto off •
- Surface hot indicators •

---

### Warranty

Parts and labour **2 years**

---

SKU 81685

---

The product dimensions and specifications in this page apply to the specific product and model. Under our policy of continuous improvement, these dimensions and specifications may change at any time. You should therefore check with Fisher & Paykel's Customer Care Centre to ensure this page correctly describes the model currently available. ? Fisher & Paykel Appliances Ltd 2020

---

### Other product downloads available at fisherpaykel.com

- [↓](#) User Guide
- [↓](#) Service & Warranty
- [↓](#) User Guide Freestanding Cooker
- [↓](#) Installation Guide - Kick Strip
- [↓](#) Installation Guide Freestanding Cooker



### A PEACE OF MIND SALE

24 Hours 7 Days a Week Customer Support

T 1300 650 590 W [www.fisherpaykel.com](http://www.fisherpaykel.com)