

F I S H E R & P A Y K E L

I N T E G R A T E D C O L U M N S

RS1884FJ, RS2484FJ, RS3084FJ,
RS2484S & RS3084S models

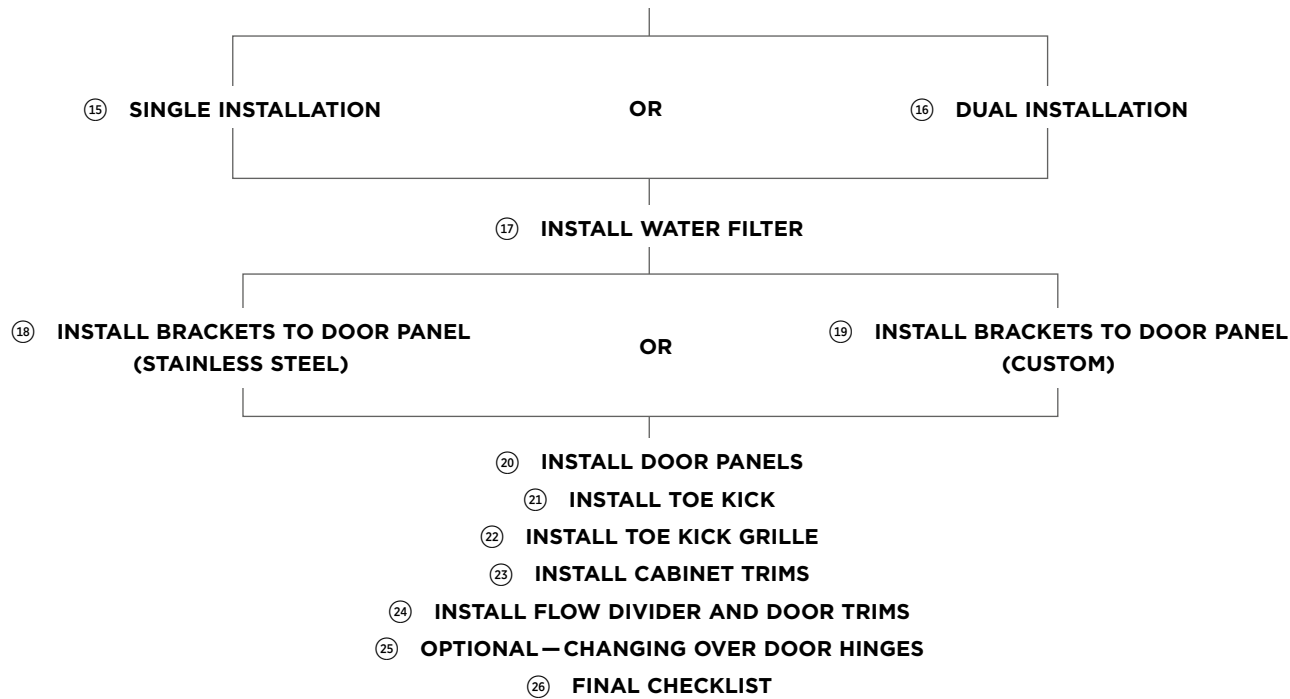
I N S T A L L A T I O N G U I D E

U S C A

8 4 7 9 8 5 C 0 5 . 1 8

TABLE OF CONTENTS

- ① SAFETY AND WARNINGS
- ② INTEGRATED COLUMNS
- ③ COMPONENTS LIST
- ④ PRODUCT DIMENSIONS AND SPECIFICATIONS
 - ⑤ CABINETY OPTIONS
 - ⑥ CAVITY DIMENSIONS
- ⑦ DOOR AND TOE KICK PANEL DIMENSIONS
- ⑧ CUSTOM DOOR PANEL DIMENSIONS
- ⑨ DOOR OPENING ROTATION
- ⑩ ELECTRICAL AND PLUMBING
- ⑪ BEFORE INSTALLATION
- ⑫ UNPACKING AND MOVING YOUR PRODUCT
- ⑬ ATTACH THE ANTI-TIP BRACKET
- ⑭ CONNECT TO WATER AND POWER SUPPLY



IMPORTANT! SAVE THESE INSTRUCTIONS

The models shown in this installation guide may not be available in all markets and are subject to change at any time. For current details about model and specification availability in your country, please go to our website fisherpaykel.com or contact your local Fisher & Paykel dealer.

① SAFETY AND WARNINGS

⚠ WARNING!



Electric Shock Hazard

Read and follow the safety and warnings outlined in this installation guide before operating this appliance.

Failure to do so can result in death, electric shock, fire or injury to persons.

⚠ WARNING!



Cut Hazard

Take care—panel edges are sharp. Failure to use caution could result in injury or cuts.

⚠ WARNING!



This appliance is top-heavy and must be secured to prevent the possibility of tipping forward.

To ensure that the appliance is stable under all loading conditions, the anti-tip bracket and fittings supplied must be installed according to the following installation instructions by a professional installer.

② INTEGRATED COLUMNS

18" (457mm)

24" (610mm)

30" (762mm)

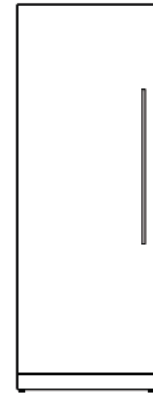
FREEZER



RS1884FJ



RS2484FJ



RS3084FJ

REFRIGERATOR



RS2484S



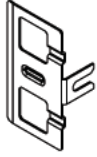
RS3084S

Note: Interchangeable door hinges available for each model.

③ COMPONENTS LIST

Installation kit—included with the appliance

Door panel attachment kit (848191)



Side bracket
(6x)



Bracket slider
(6x)



Side spacer bracket
(6x)



M4 Hex key
(1x)

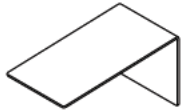


For SS door panels:
8Gx16 Mush washer screw
(30x)



For Custom door panels:
M5x12 Cross-head screw
(30x)

Anti-tip bracket assembly



Anti-tip bracket
(1x)

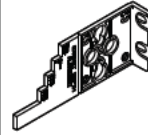


10x30mm Masonry plug
(5x)



10-12x35mm Pan head screw
(5x)

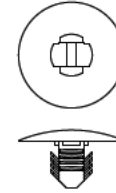
Install fasteners kit



Cabinet depth alignment
gauge (4x)

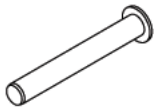


8Gx16 Countersunk screw
(7x)



Barbed plug
(2x)

Supplied in separate bag



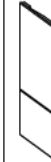
Hinge limiting bolt
(3x)

Supplied in separate bag



Air toe kick seal
(1x)

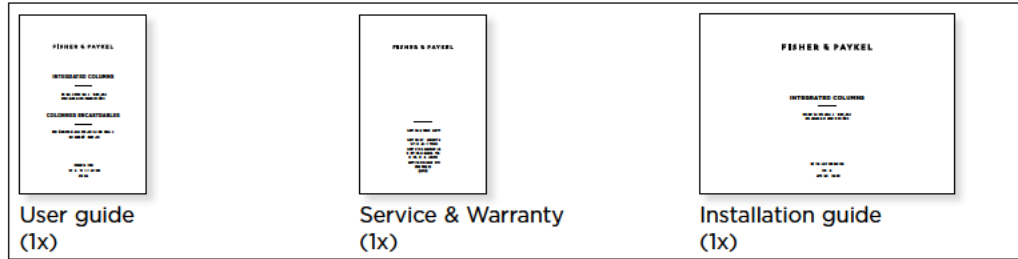
Supplied in separate bag



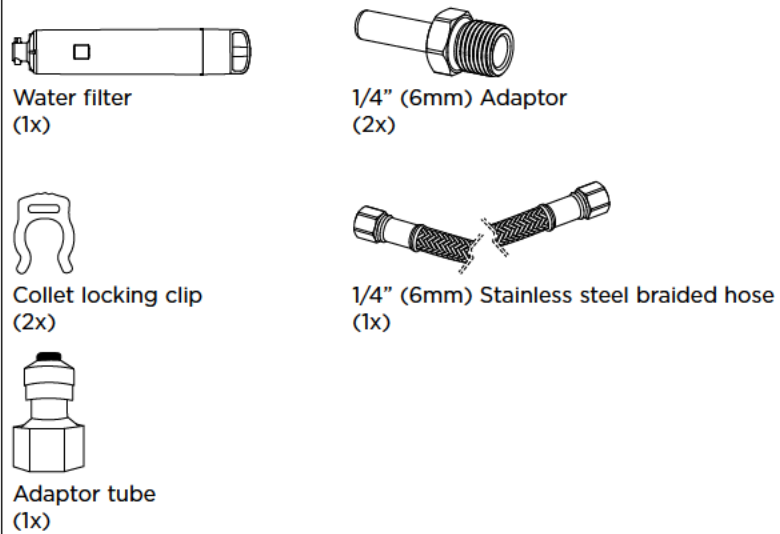
Flow divider cap
(1x)

3 COMPONENTS LIST

MI (miscellaneous items) pack – included with the appliance.



Water filter installation kit – included in MI pack of Freezer models only



Toe kick installation kit – Fisher & Paykel (Stainless steel) toe kick is not included with the appliance.

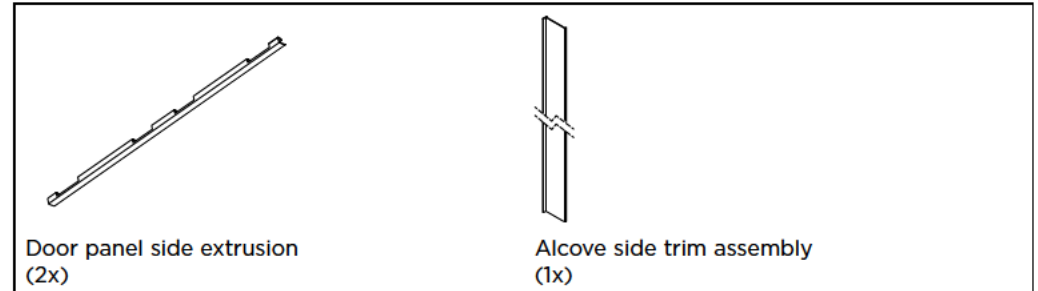


Standard toe kick height is 4" (102mm) with the optional stainless door panel.

For Custom door panel installation, a custom toe kick 2" – 6" (50 – 152mm) can be manufactured and fitted by cabinetmaker. The Custom door panel height needs to be adjusted accordingly.

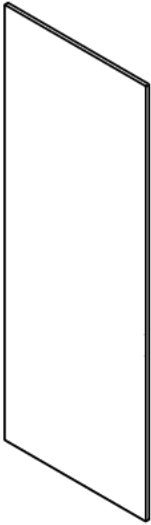

An extra bottom grille is required for a 2" (50mm) toe kick installation.

Install parts – included with the appliance. Attached to back of appliance.

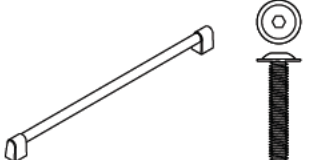
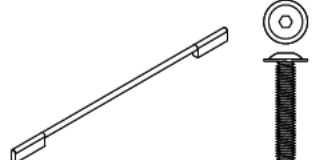
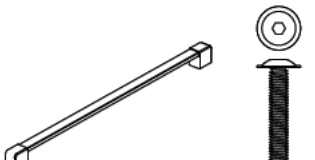
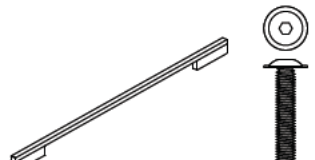


③ COMPONENTS LIST

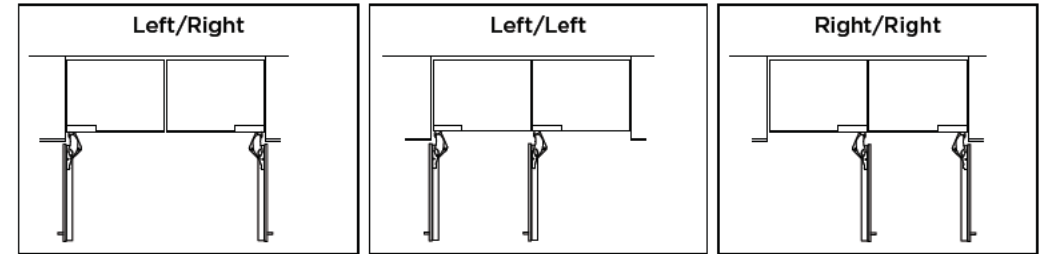
Door panels

 <p>Fisher & Paykel (Stainless steel) door panel is not included with the appliance and must be purchased separately.</p> <p>Stainless steel door panel (1x)</p>	 <p>Customers can supply their own Custom door panel to match their cabinetry.</p> <p>Custom door panel</p>
--	--

Door handle kit – not included with the appliance and must be purchased separately.


<p>EVO1 handle kit (CA: 24980)</p>  <p>EVO1 Handle (1x)</p> <p>M5x25 Hex screw (4x)</p>	<p>F&P (D3) handle kit (CA: 24979)</p>  <p>F&P (D3) Handle (1x)</p> <p>M5x25 Hex screw (4x)</p>
<p>EVO2 (U handle) (CA: 24982)</p>  <p>EVO2 (U handle) (1x)</p> <p>M5x25 Hex screw (4x)</p>	<p>S handle (RD3) kit (CA: 24981)</p>  <p>S handle (RD3) (1x)</p> <p>M5x25 Hex screw (4x)</p>

Dual install joiner kit (CA: 24985) – included with the appliance (Freezer model only). Attached to back of appliance. Used for any of the dual install options shown below.



Included in each joiner kit:


Top joiner fastener kit



M5x20 Cap screw (1x)

M5x16x1 Plain washer (1x)

Bottom joiner fastener kit

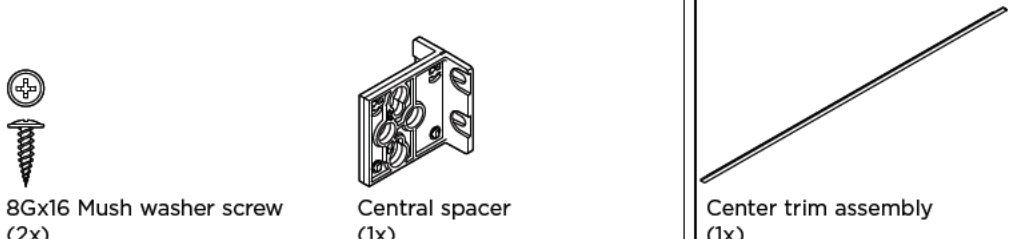


M6x16 Washer screw (1x)

M6x12x3.2 Plastic washer (1x)

M6 Hex nut (1x)

Top joiner bracket kit



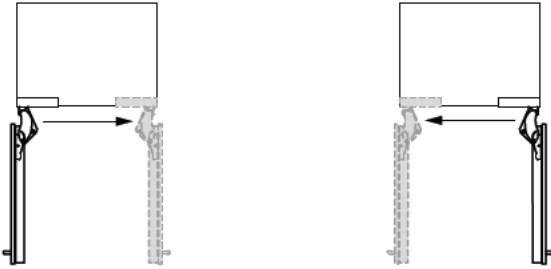
8Gx16 Mush washer screw (2x)

Central spacer (1x)

Center trim assembly (1x)

③ COMPONENTS LIST

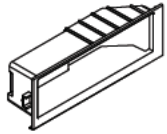
Hinge change kit—not included with the appliance and must be purchased separately.



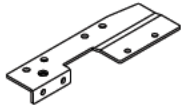
MODEL	LEFT HINGE TO RIGHT HINGE	RIGHT HINGE TO LEFT HINGE
RS18	848186	848185
RS24	848188	848187
RS30	848190	848189

Each kit includes: Hinge change assembly (1x), Top (fixed) grille assembly (1x)

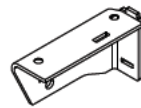
Hinge change assembly



Hinge top pocket
(1x)



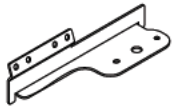
K05 Top adapter bracket
(2x)



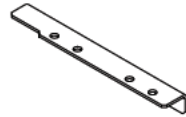
Lower hinge bracket
(2x)



M5 Nut
(2x)

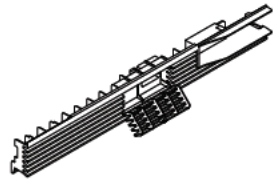


Alcove top bracket
(2x)



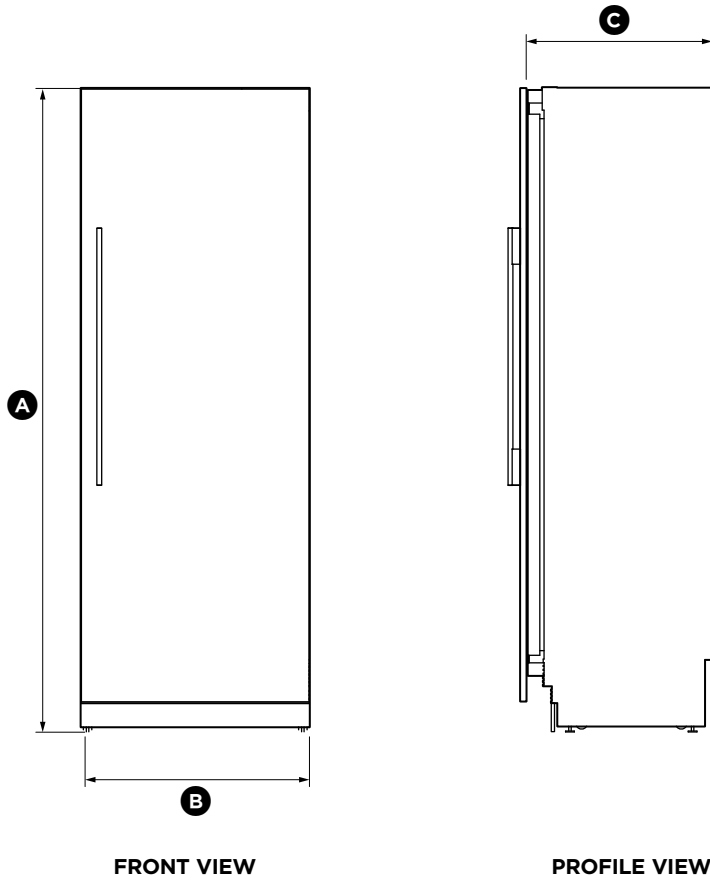
K05 Bottom adapter bracket
(2x)

Top (fixed) grille assembly



Top (fixed) grille
(1x)

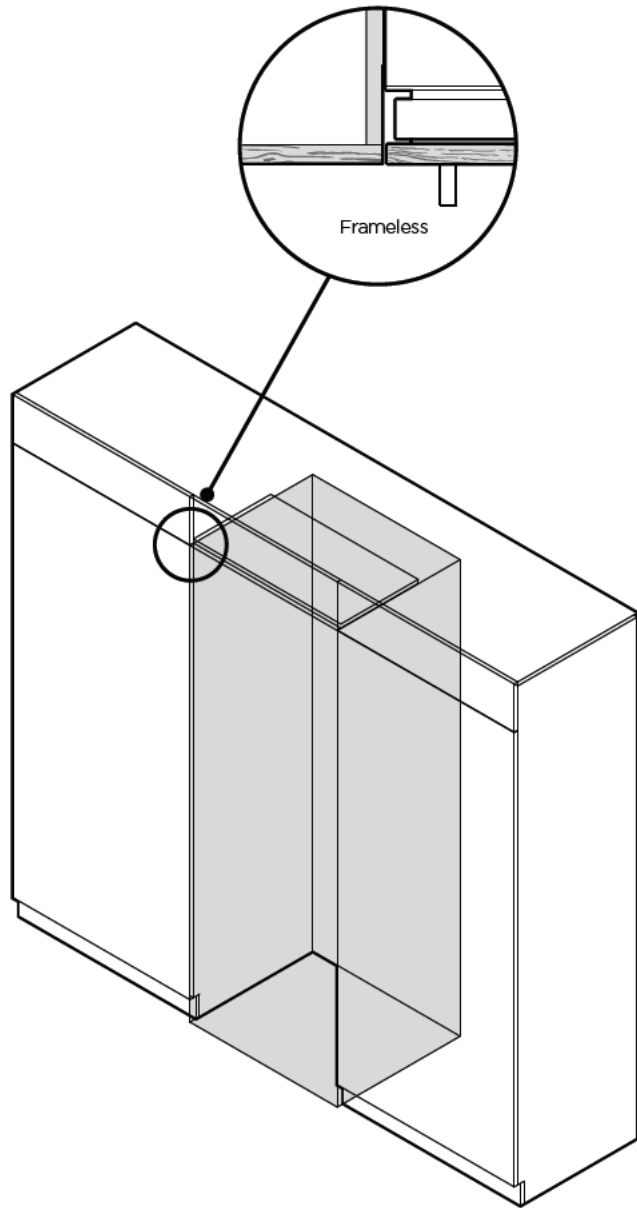
④ PRODUCT DIMENSIONS AND SPECIFICATIONS



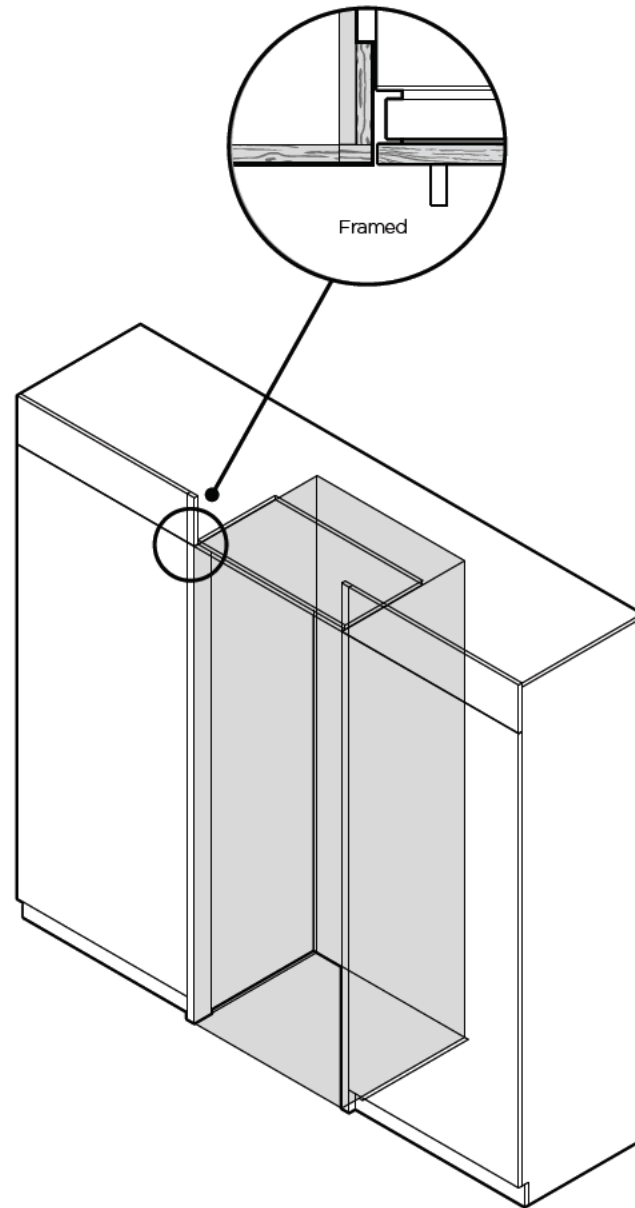
	RS18	RS24	RS30
PRODUCT DIMENSIONS	inches (mm)	inches (mm)	inches (mm)
Ⓐ Overall height of product	84" (2134)	84" (2134)	84" (2134)
Ⓑ Overall width of product	17 3/4" (451)	23 3/4" (603)	29 3/4" (756)
Ⓒ Overall depth of product (excluding front door panel)	24" (610)	24" (610)	24" (610)
PRODUCT SPECIFICATIONS			
Door clearance	20" (508mm)	26" (660mm)	32" (813mm)
Weight (including packaging)	260lb (118kg)	302lb (137kg)	344lb (156kg)
Door hinge	Hettich K05	Hettich K05	Hettich K05

⑤ CABINETY OPTIONS

FRAMELESS CABINETY
(Frameless: Aligns the product/s with the cabinetry)



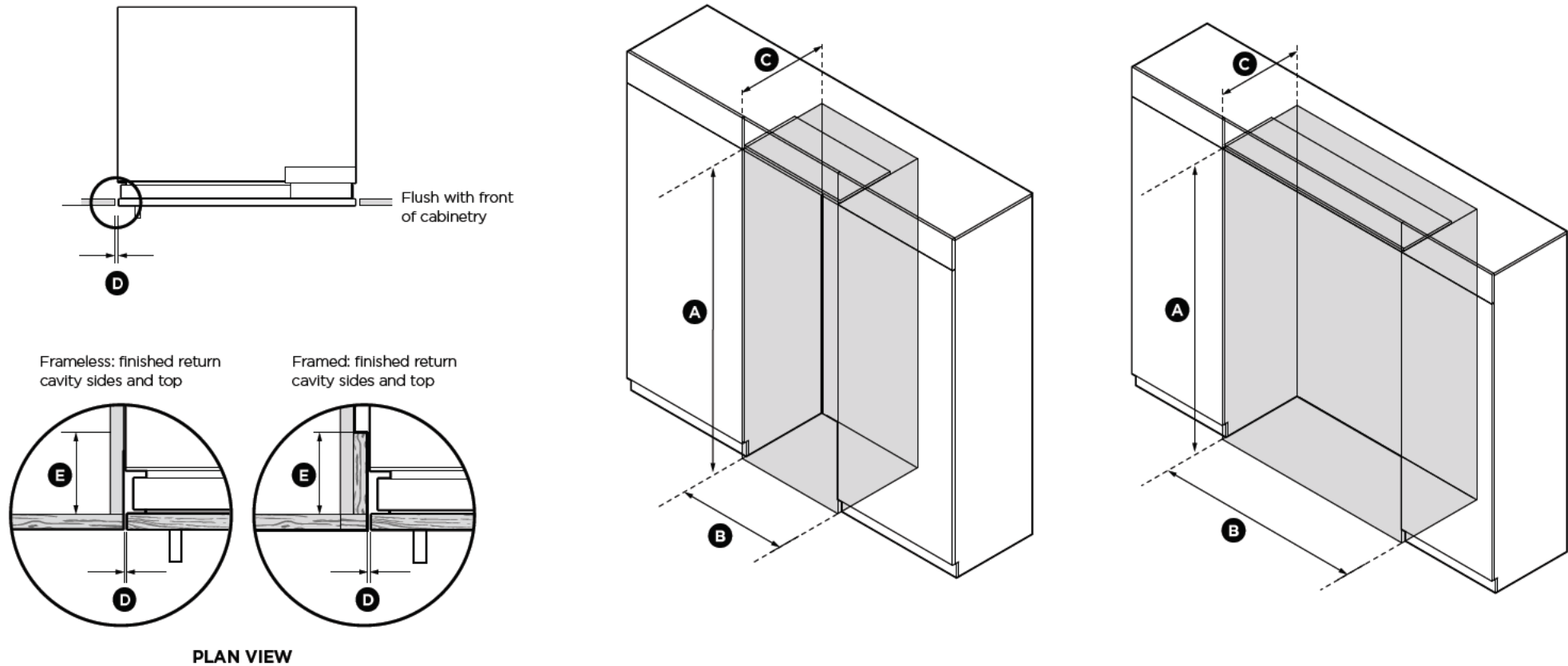
FRAMED CABINETY
(Framed: Aligns the product/s with the frame of the cabinetry)



Note: Images shown for single install. These options are also applicable for dual install.

6 CAVITY DIMENSIONS

Note: These dimensions are intended for 'Flush Installation' only.



CAVITY DIMENSIONS	SINGLE INSTALL			DUAL INSTALL				
	RS18 inches (mm)	RS24 inches (mm)	RS30 inches (mm)	RS18 + RS24 inches (mm)	RS18 + RS30 inches (mm)	RS24 + RS24 inches (mm)	RS24 + RS30 inches (mm)	RS30 + RS30 inches (mm)
Ⓐ Overall height of cavity	84" (2134)	84" (2134)	84" (2134)	84" (2134)	84" (2134)	84" (2134)	84" (2134)	84" (2134)
Ⓑ Overall width of cavity	18" (457)	24" (610)	30" (762)	42" (1067)	48" (1219)	48" (1219)	54" (1372)	60" (1524)
Ⓒ Minimum overall depth of cavity*	25" (635)	25" (635)	25" (635)	25" (635)	25" (635)	25" (635)	25" (635)	25" (635)
Ⓓ Minimum cabinetry gap clearance from edge of door panels	1/8" (3)	1/8" (3)	1/8" (3)	1/8" (3)	1/8" (3)	1/8" (3)	1/8" (3)	1/8" (3)
Ⓔ Minimum required finished return	4" (102)	4" (102)	4" (102)	4" (102)	4" (102)	4" (102)	4" (102)	4" (102)

* Assumes a door panel thickness of 3/4" (19mm).

⑦ DOOR AND TOE KICK PANEL DIMENSIONS

	RS18	RS24	RS30
DOOR PANEL DIMENSIONS (STAINLESS STEEL)	inches (mm)	inches (mm)	inches (mm)
Ⓐ Height of door panel	79 7/8" (2029)	79 7/8" (2029)	79 7/8" (2029)
Ⓑ Width of door panel	17 3/4" (451)	23 3/4" (603)	29 3/4" (756)
Ⓒ Depth of door panel (excluding door handle)	3/4" (19)	3/4" (19)	3/4" (19)
DOOR PANEL DIMENSIONS (CUSTOM)*	inches (mm)	inches (mm)	inches (mm)
Ⓐ Height of door panel	77 7/8" - 81 7/8" (1978 - 2080)	77 7/8" - 81 7/8" (1978 - 2080)	77 7/8" - 81 7/8" (1978 - 2080)
Ⓑ Width of door panel	17 3/4" (451)	23 3/4" (603)	29 3/4" (756)
Ⓒ Depth of door panel	min 5/8" - max 1" (16 - 25)	min 5/8" - max 1" (16 - 25)	min 5/8" - max 1" (16 - 25)
DOOR PANEL WEIGHT	lb (kg)	lb (kg)	lb (kg)
Maximum weight of Stainless steel/Custom door panel (including handle/brackets)†	44lb (20kg)	55lb (25kg)	66lb (30kg)

* Custom door panels to be manufactured and fitted by cabinetmaker.

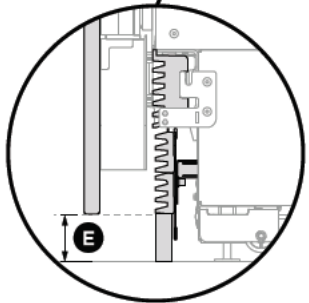
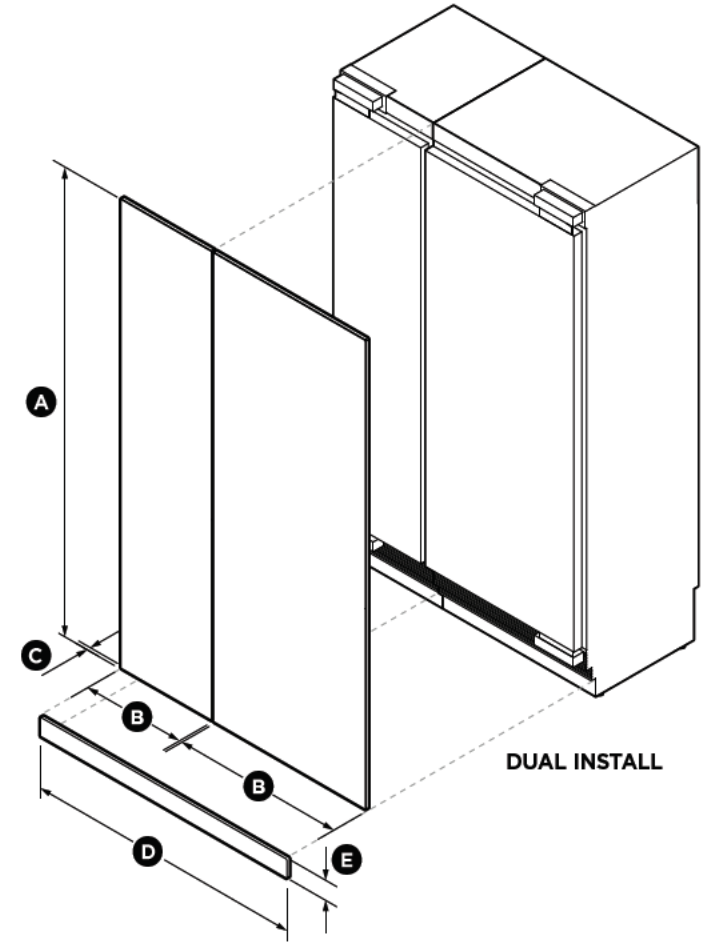
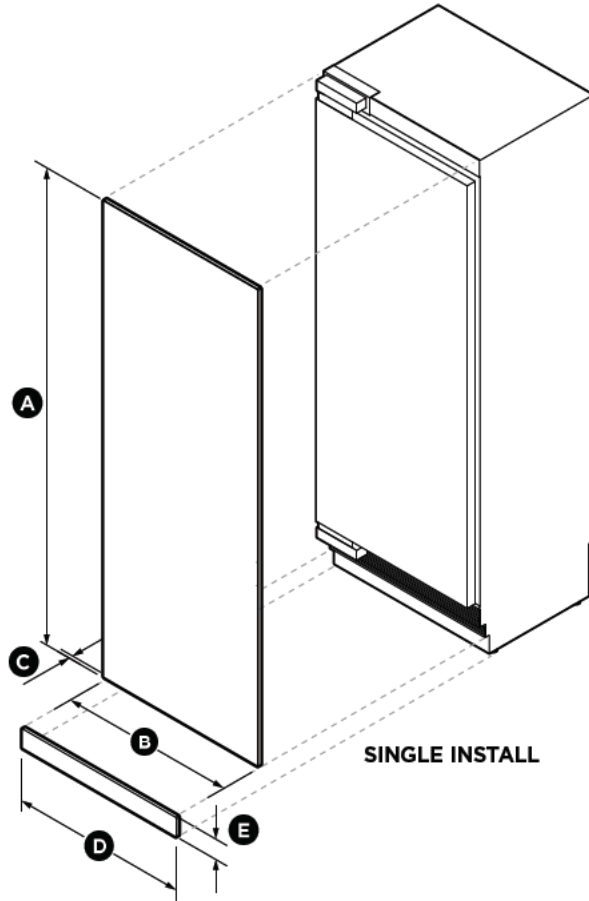
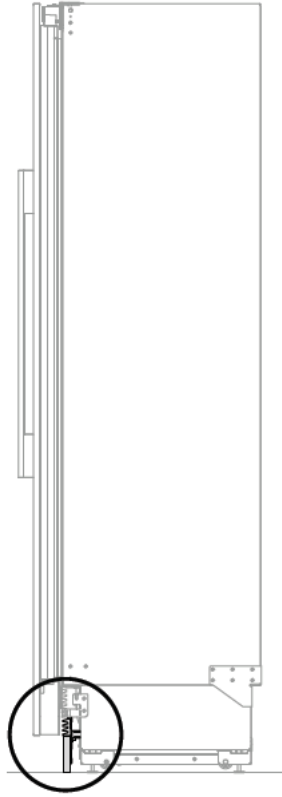
† Door handle kit is available as an optional accessory for both Stainless Steel door panels and Custom door panels and must be purchased separately.

	SINGLE INSTALL			DUAL INSTALL				
	RS18	RS24	RS30	RS18 + RS24	RS18 + RS30	RS24 + RS24	RS24 + RS30	RS30 + RS30
TOE KICK DIMENSIONS	inches (mm)	inches (mm)	inches (mm)	inches (mm)	inches (mm)	inches (mm)	inches (mm)	inches (mm)
Ⓓ Width of toe kick								
Stainless steel panel/Custom panel	17 7/8" (454)	23 7/8" (606)	29 7/8" (759)	41 7/8" (1064)	47 7/8" (1216)	47 7/8" (1216)	53 7/8" (1368)	59 7/8" (1521)
Ⓔ Height of toe kick*								
Stainless steel panel	4" (102)	4" (102)	4" (102)	4" (102)	4" (102)	4" (102)	4" (102)	4" (102)
Custom panel**	2" - 6" (51 - 152)	2" - 6" (51 - 152)	2" - 6" (51 - 152)	2" - 6" (51 - 152)	2" - 6" (51 - 152)	2" - 6" (51 - 152)	2" - 6" (51 - 152)	2" - 6" (51 - 152)
Ⓕ Depth of toe kick (measured from front of door)								
Stainless steel panel/Custom panel	2 7/8" - 4" (73 - 102)	2 7/8" - 4" (73 - 102)	2 7/8" - 4" (73 - 102)	2 7/8" - 4" (73 - 102)	2 7/8" - 4" (73 - 102)	2 7/8" - 4" (73 - 102)	2 7/8" - 4" (73 - 102)	2 7/8" - 4" (73 - 102)

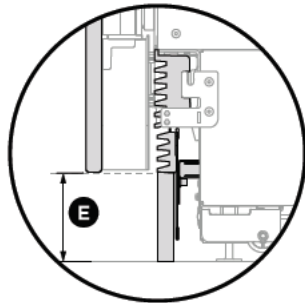
* Standard toe kick height is 4" (102mm) with the optional Stainless door panel. For Custom door panel installation, a custom toe kick 2" - 6" (50 - 152mm) can be manufactured and fitted by cabinetmaker. The Custom door panel height needs to be adjusted accordingly.

** Extra lower grilles are required for a 2" (50mm) toe kick installation.

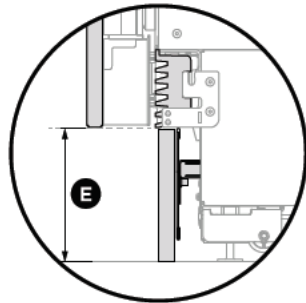
⑦ DOOR AND TOE KICK PANEL DIMENSIONS



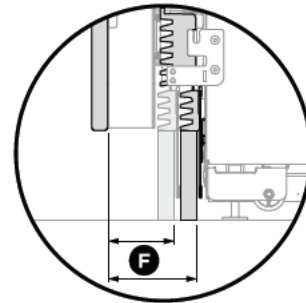
2" toe kick height
(with extra lower grille attached)



4" toe kick height



6" toe kick height



2 7/8" - 4" toe kick depth
measured from the front of the door

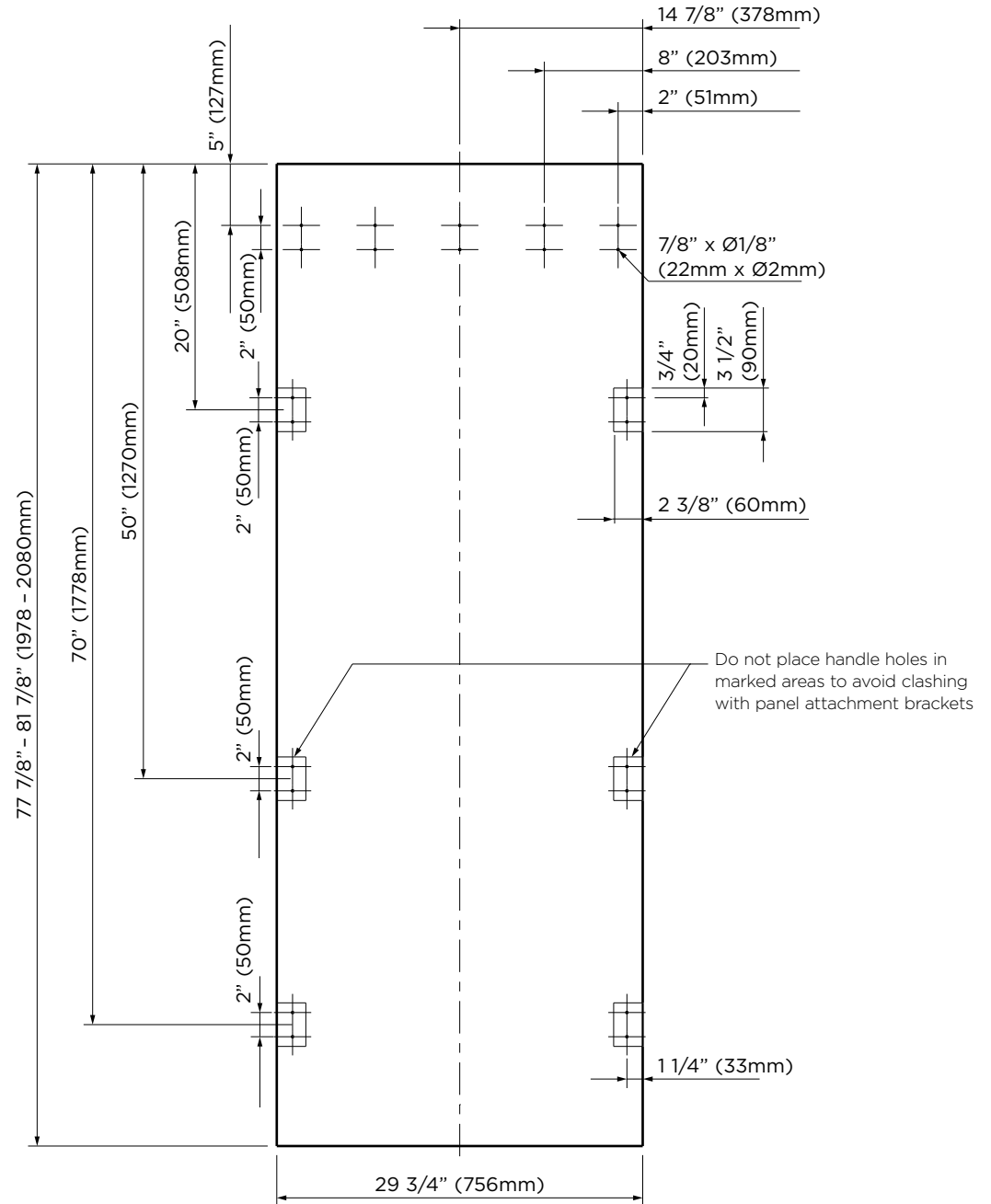
⑧ CUSTOM DOOR PANEL DIMENSIONS

Custom door panel dimensions

Dimensions apply for the preparation and installation of Custom door panels. For Dwg and Dxf files of the below panel preparation download the folder on <http://thekitchentools.fisherpaykel.com>

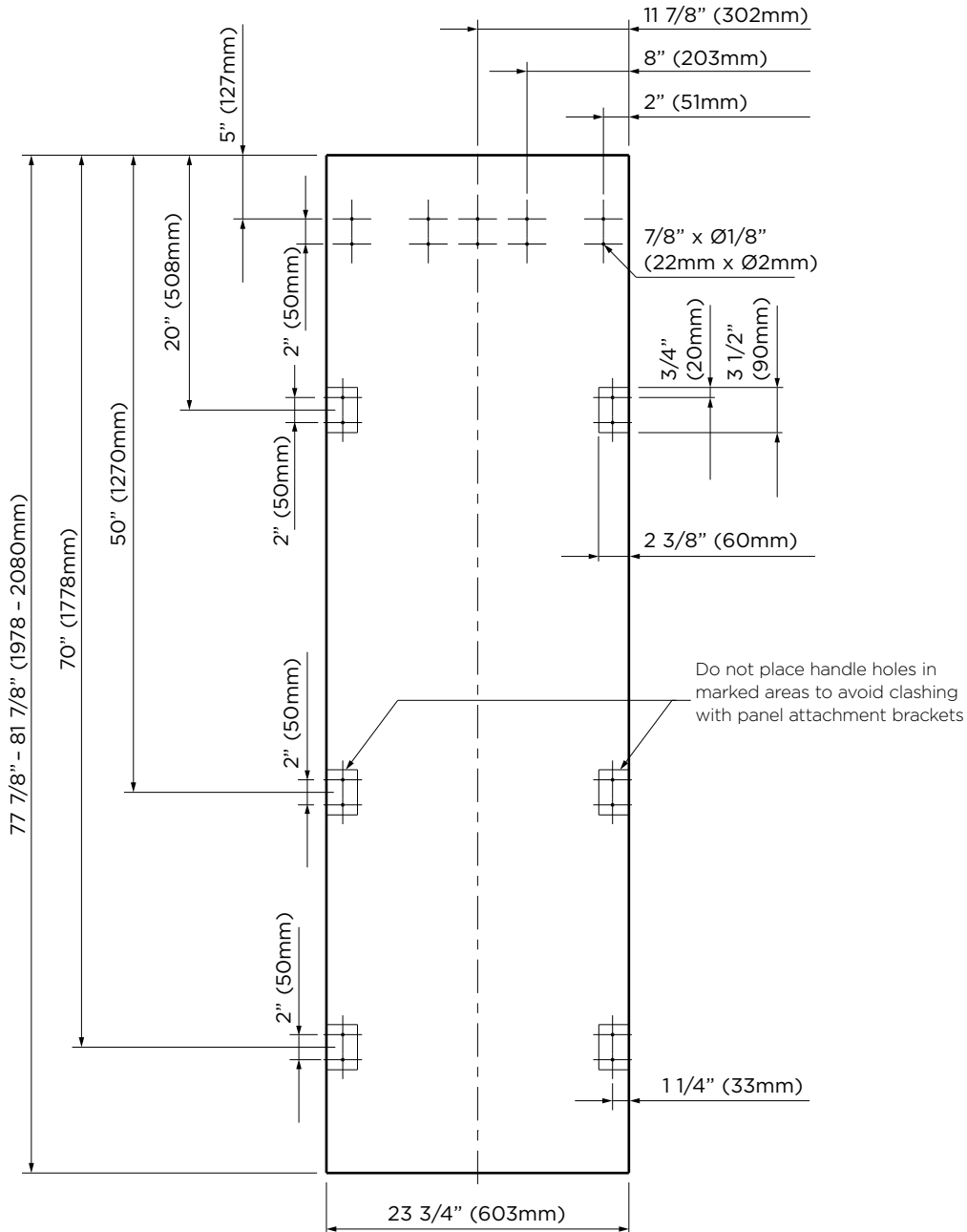
IMPORTANT!

- The thickness of the custom door panel can vary provided that the screws do not penetrate beyond the full depth of the door panel. Refer to 'Door panel dimensions (Custom)' table on page 10 for thickness limitations of door panel.
- Measurements of screw hole locations can vary depending on the height of toe kick 2" - 6" (50 - 152mm).

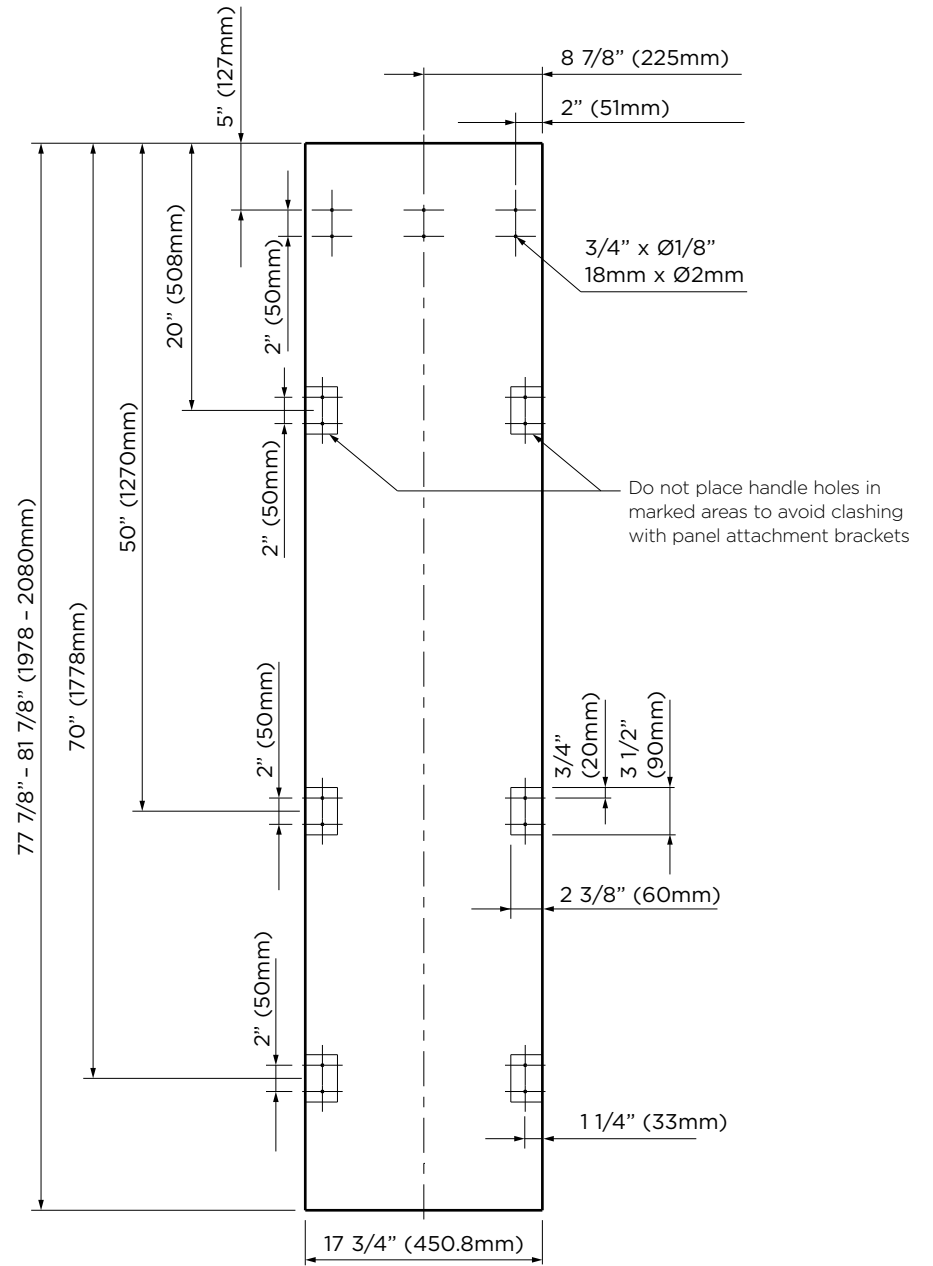


RS30

8 CUSTOM DOOR PANEL DIMENSIONS

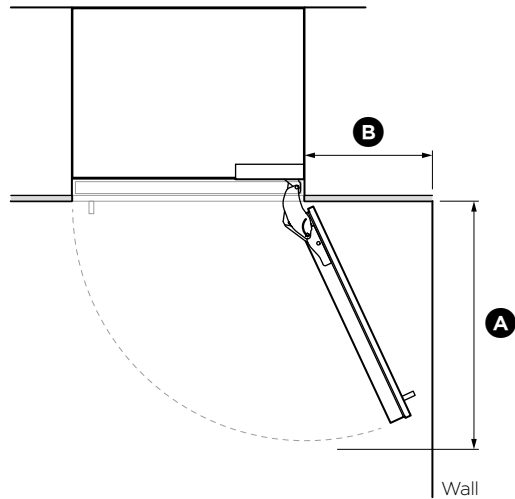


RS24

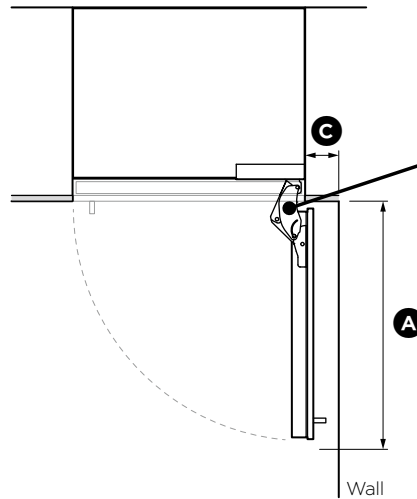


RS18

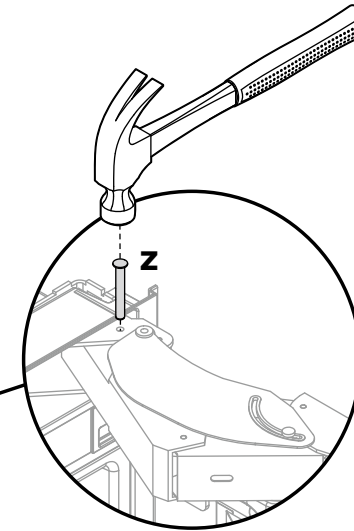
9 DOOR OPENING ROTATION



**115° DOOR OPENING
(FULL ROTATION)**



90° DOOR OPENING



For 90° door swing a hinge limiting bolt is supplied with your appliance. This pin fits in the boreholes of the top hinge (Z).

WARNING!

- Before opening the doors, ensure that the appliance is stable.
- Follow these instructions to avoid risks that can cause serious injury or death.

- ① Open door to 90°.
- ② Align the hinge limiting bolt vertically with the bore hole.
- ③ Insert the pin through the bore hole. Use a hammer to drive the pin through the hole.

DOOR OPENING AND CLEARANCE DIMENSIONS	RS18	RS24	RS30
	inches (mm)	inches (mm)	inches (mm)
Ⓐ Width of door (90° open) measured from front of door	20" (508)	26" (660)	32" (813)
Ⓑ Minimum door clearance* to adjacent wall** (115° – full internal access)	11 1/2" (292)	14" (356)	16 1/2" (419)
Ⓒ Minimum door clearance* to adjacent wall** (90° – reduced internal access)	4 5/16" (110)	4 5/16" (110)	4 5/16" (110)

* Measured from front cabinetry edge.

** Does not include the Custom door panels or handles to be manufactured and fitted by cabinetmaker.

⑩ ELECTRICAL AND PLUMBING

WARNING!

Electric shock hazard! Assume all parts live. Disconnect supply before servicing and installation.

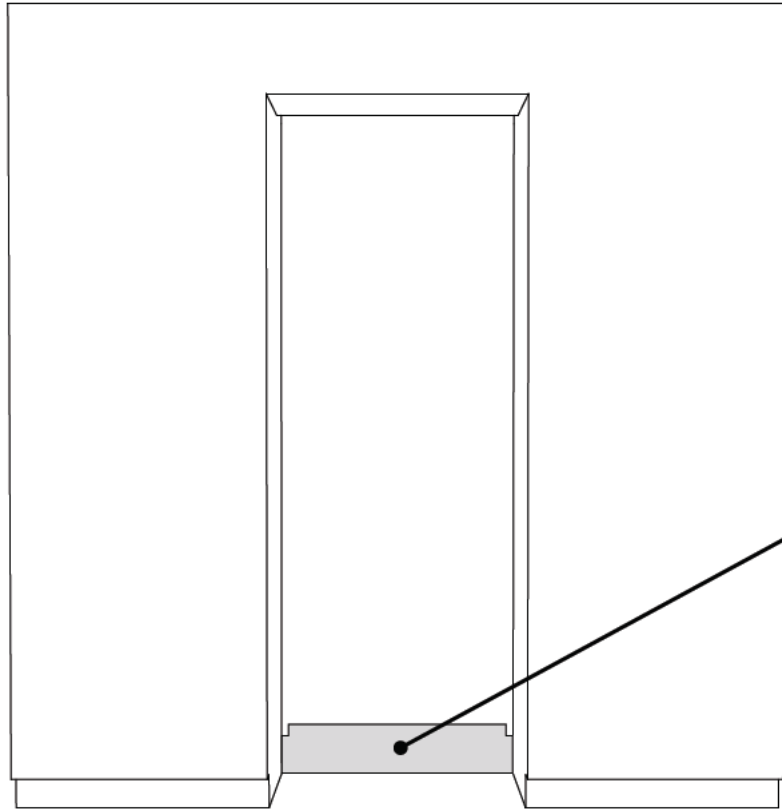
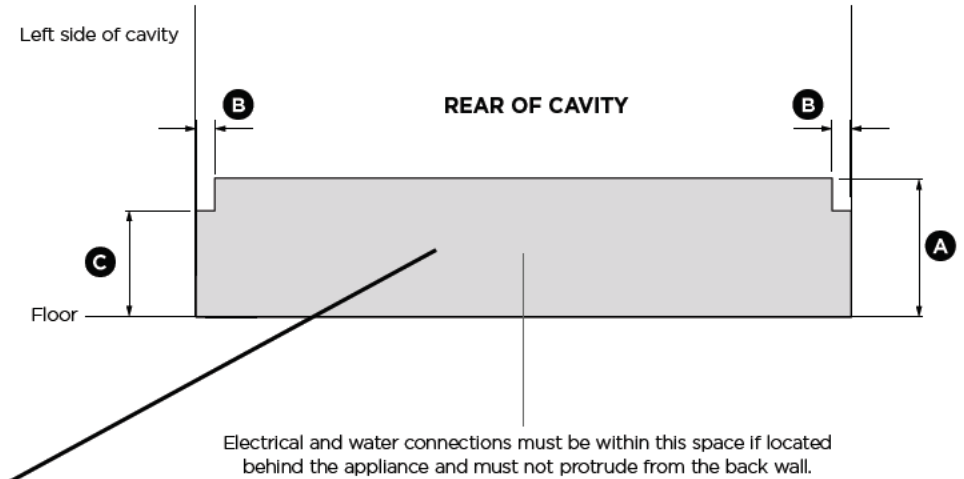


Image shown is for single install.

For dual install, each appliance should have a separate power supply connection with only the freezer having a water connection.



Note: We recommend to use an isolating switch that is easily accessible to the user after the appliance is installed.

ELECTRICAL AND PLUMBING DIMENSIONS	inches (mm)
Ⓐ Overall height of supply area	9" (229)
Ⓑ Width from the side of the cabinetry	1/2" (13)
Ⓒ Height at sides of supply area	5" (127)

Note: Dimensions are based on minimum depth of cavity.

ELECTRICAL SPECIFICATIONS	FREEZER	REFRIGERATOR
Supply	115VAC, 60Hz	115VAC, 60Hz
Service	10 amp circuit	10 amp circuit
Outlet	3-prong grounding-type	3-prong grounding-type
Power cord (excluding plug)	86" (2190mm)	86" (2190mm)
PLUMBING SPECIFICATIONS	FREEZER	REFRIGERATOR
Supply	1/4" (6mm) comp. Stainless steel braided hose	NA
Pressure kPa (psi)	min 150 (22) / max 827 (120) @ 68°F (20°C)	NA
Water inlet hose	83 1/2" (2121mm)	83 1/2" (2121mm)

IMPORTANT!

- Ensure your appliance is not exposed to any heat generating appliance eg cooktop, oven or dishwasher.
 - The appliance has front and rear rollers for moving the appliance forward and backward. Do not move the appliance sideways to avoid damaging the rollers or the floor covering/surface.
 - The appliance must be installed by a qualified installer, or Fisher & Paykel trained and supported service technician to avoid faulty electrical connection and water leaks.
 - All connections for water, electrical power and grounding must comply with local codes and ordinances and be made by licensed personnel when required.
 - Avoid installation of the appliance/s under a ground fault circuit interrupter (GFCI).
 - Ensure the appliance is installed properly. Improper installation that results in appliance failure is not covered under the appliance warranty.
-

Check the installation location

Check the cabinetry

- Check the dimensions of the cabinetry (width, depth, height, floor level, finished alcove returns).
- Ensure that the ventilation openings in the cabinetry are clear of obstruction.

Check the power supply connection

- Ensure that there is a separate power outlet for each appliance.
- Avoid sharing the power point with other appliances to prevent accidental switching off of the appliance.
- For power requirements, please refer to the information on the serial plate.
- Ensure your appliance is properly grounded (earthed).
- Connect your appliance to an electrical supply with the fitted plug and lead.
- We recommend to use an isolating switch that is easily accessible to the user after the appliance is installed.

Check the water supply connection (for Freezer models only)

- We recommend connecting the hose to exit at an angle if there is not enough clearance between the cabinet wall and back of appliance.
- Fisher & Paykel is not liable for damage (including water damage) caused by faulty installation or plumbing.

Check your appliance

- Ensure that your appliance is the correct model as per your order.
- Ensure that the packaging is not damaged upon delivery.
- Check that the components and install kits are complete.
- You have the option to change the door hinge side of your appliance from right hand hinge to left hand hinge or vice versa. A hinge change kit is required for this installation. Refer to 'Optional – Changing over door hinges' for more information.

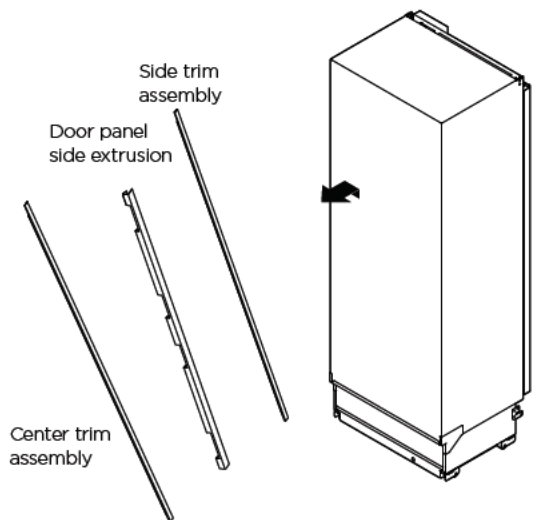
12 UNPACKING AND MOVING YOUR PRODUCT

IMPORTANT!

- Be careful when unpacking to prevent damage to the surface of your appliance.
- Ensure that the appliance is stable to prevent from tipping over when unpacking.
- Do not open the doors to prevent the appliance from tipping over.
- The appliance is heavy and requires a minimum of 2 persons to unpack and install.
- Ensure that the feet of the appliance are retracted.
- If the appliance is damaged, contact your Fisher & Paykel dealer.
- Take note of your model and registration numbers located at the lower right side of the appliance. You will need these to request for servicing or repair of your appliance.

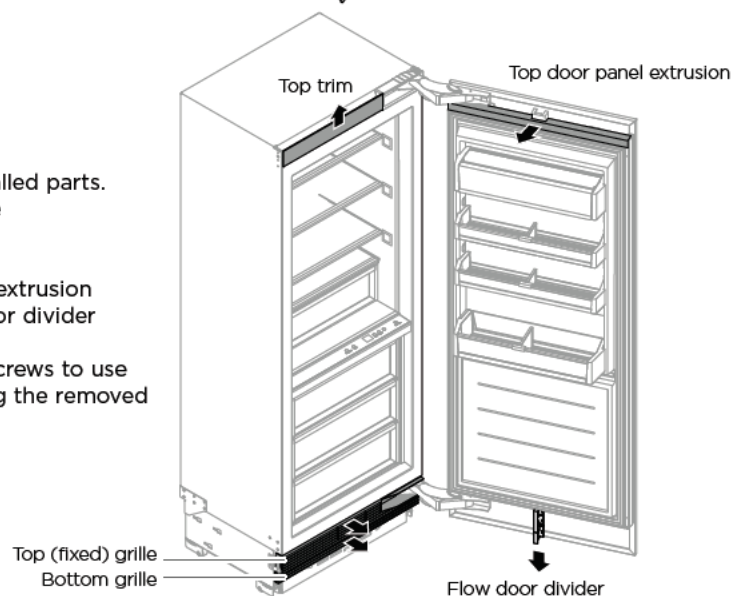
Unpacking your product

- 1 Remove the top of the packaging carton. Cut along the cut lines and remove the carton and EPS (Expanded Polystyrene) foam.
- 2 Remove pre-packed install parts (door panel side extrusion and side trim assembly, center trim assembly, dual install joiner kit) taped to the back panel of the appliance.



- 3 Remove the pre-installed parts.
 - Top (fixed) grille
 - Bottom grille
 - Top trim
 - Top door panel extrusion
 - Bottom flow door divider

Note: Set aside the screws to use later when reinstalling the removed parts.



WARNING!

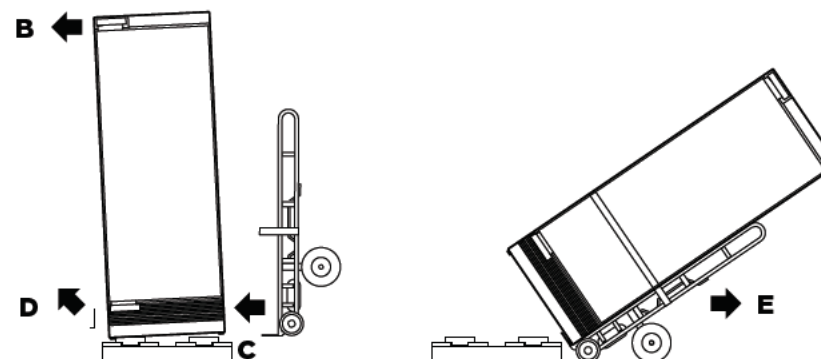
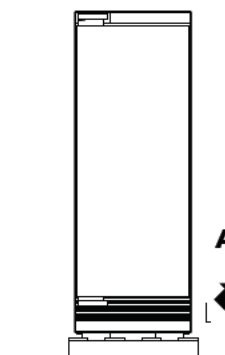
- Follow these instructions to avoid risks that can cause serious injury or death.
- Keep doors closed until the appliance has been moved to its installation location.

Required components/tools:

- Cross-head screwdriver
- Cutter or scissors
- Two-wheeled cart with restraining straps

Moving your product

- 1 Remove the angled brackets (A) from one side of the appliance (preferably, non-hinge side).
- 2 Tape the door shut and then tilt (B) the appliance slightly forward to slide a two-wheeled cart (C) between the appliance and EPS.
 - Do not insert the cart from the back or front side!
 - Taping the door shut prevents the possible opening of the doors when tilting.
- 3 Remove the top screws of the remaining angled brackets (D). Do not remove the screws fixed to the pallet.
- 4 Restrain the appliance to the cart with straps, and then tilt the appliance backward (E) onto the cart.
- 5 Set aside the pallet and push the cart to the installation location.
 - Make sure the door stays closed until the appliance is positioned inside the cabinet.



13 ATTACH THE ANTI-TIP BRACKET

IMPORTANT!

Ensure the door of the appliance is closed when rolling into the cabinetry. DO NOT attempt to open the door until the appliance is fully installed. The anti-tip bracket and fittings supplied must be fitted to the wall of the finished enclosure to withstand a 220lb (100kg) load. Ensure that the anti-tip bracket is installed correctly to prevent the possibility of the appliance tipping forward when the door is open.

WARNING!

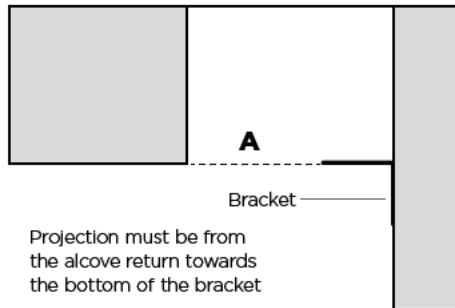
Read the following reminders before fastening with masonry plugs and/or screws to avoid serious injury or possible death:

- Ensure the screws avoid electrical, gas and water conduits.
- Ensure that the surface where the bracket is fastened can withstand a 220lb (100kg) load.
- Ensure light-weight masonry material such as cinder block and new concrete (no curing time) are not used in installation.
- Do not use metallic materials that may corrode, stain and/or damage the enclosure.

Required components/tools:

- Anti-tip bracket assembly
 - 1x Anti-tip bracket
 - 4x 10x30mm Masonry plugs
 - 4x 10-12x35mm Pan head screws
- Cross-head screwdriver
- Marker/pencil

- Project horizontally from the bottom end of the alcove return towards the back wall (A).
 - This will locate the contact surface between the bracket and the appliance.



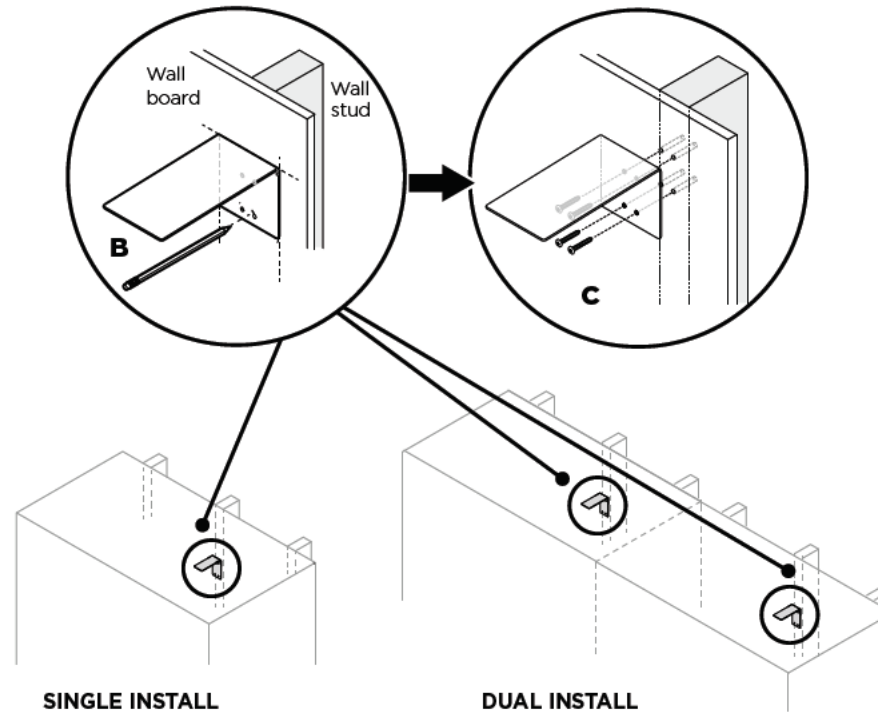
- Mark the screw locations of the anti-tip bracket on the wall based on the most central wall stud (B).
 - If there are no wall studs, the bracket can be installed to solid brick walls with masonry plugs. (However, not recommended to be used on perforated brick or hollow concrete bricks).

- Drill screw holes to the marked locations.

- For wooden/plaster board wall installation: Skip to step 5.

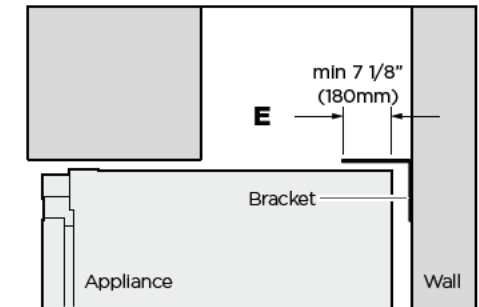
For solid wall installation: Hammer 10x30mm masonry plugs (4x) into the wall until flush.

- Fix the bracket to the wall with 10-12x35mm pan head screws (4x), and screw tightly (C).

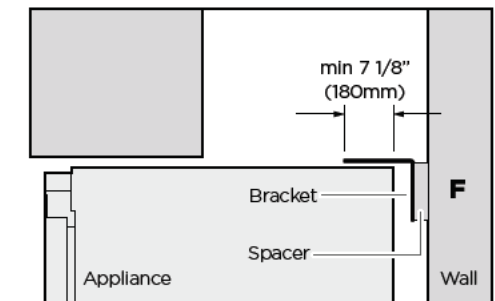


IMPORTANT!

Make sure the bracket overlaps the appliance by a minimum 7 1/8" (180mm) for a secure hold (E).



If the minimum 7 1/8" (180mm) overlap cannot be achieved, install a solid spacer to the wall stud behind the bracket (F).



14 CONNECT TO WATER AND POWER SUPPLY

WARNING!

- The water connection instructions below are intended only for the professional installer.
- **WARNING**— connect to potable drinkable water supply only.
- **DO NOT** install on line pressure above 120psi (827kPa) or below 22psi (150kPa).
- **DO NOT** use on hot water supply (100°F [38°C max.]).

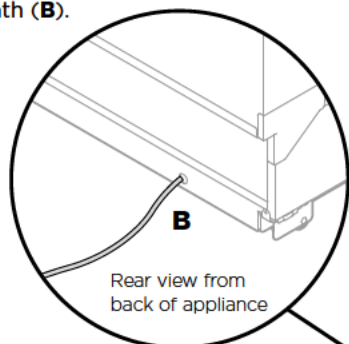
IMPORTANT!

- Old water fittings (hose-sets) should not be reused.
- The appliance includes a stainless braided water line hose.
- The shut off valve should be accessible.
- Make sure each appliance is connected to a separate power outlet.

Required components/tools:

- Water filter installation kit
 - 2x Collet locking clip
 - 1x 1/4" (6mm) Brass adaptor
 - 1x 1/4" (6mm) Stainless steel braided hose
 - 1x Adaptor tube

- 1 Flush water through the hose prior to connection to the appliance to remove any debris in the hose.
- 2 Move the appliance in front of the cabinetry close enough that you can access behind for power and water connections.
- 3 Connect a braided water hose to the water supply valve (A), and insert the free end of the hose through a hole at the rear of the plinth (B).

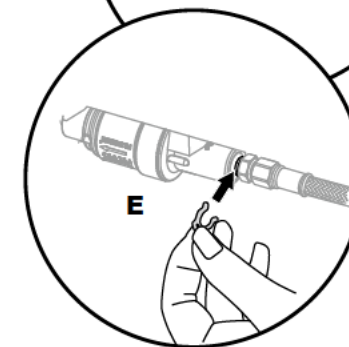
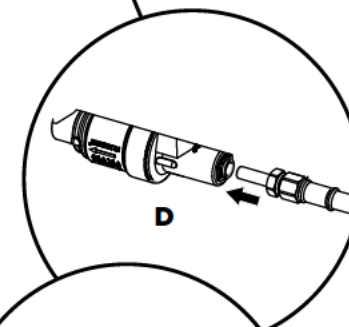
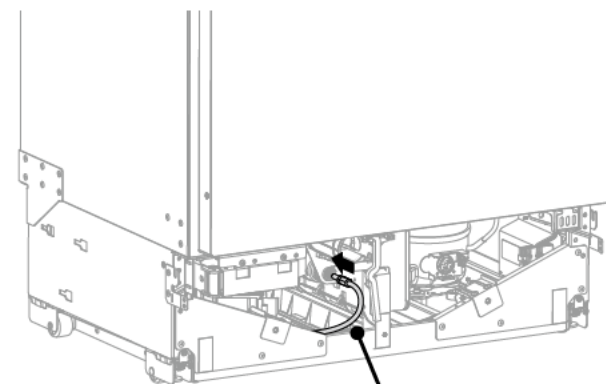
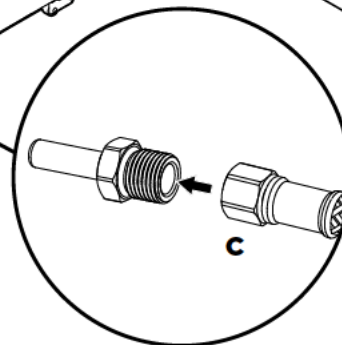
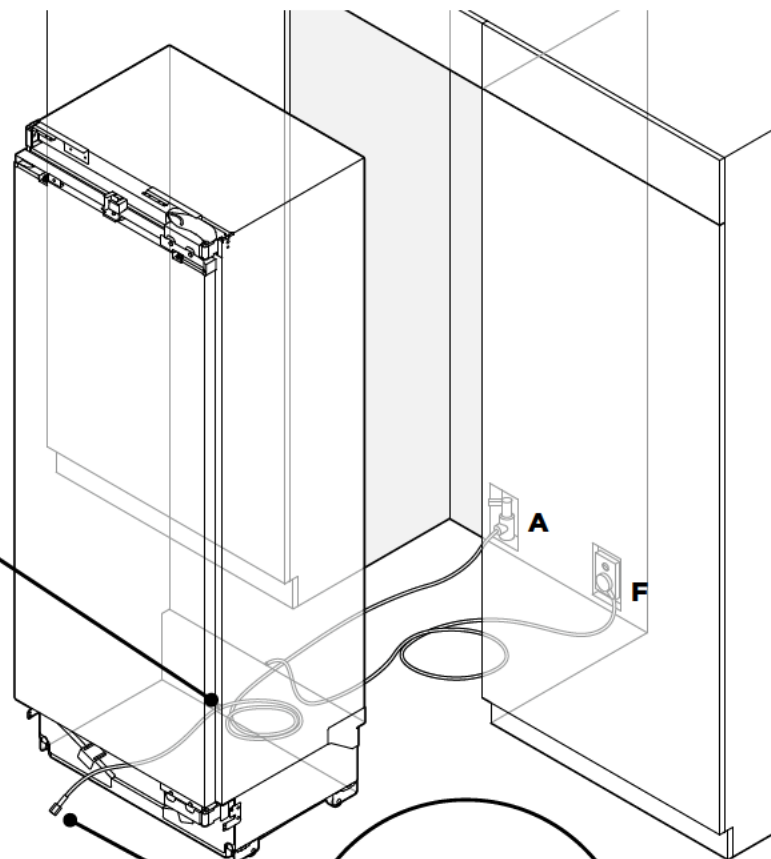


- 4 Push the hose all the way to the front and connect a brass adaptor (C).
Note: The adaptor is not required for installation if (1/4") 6.35mm PEX plastic tubing (optional) is used.
- 5 Insert the tube end of the adaptor fully into the PRV (D).
- 6 Secure the connection with a locking clip between the PRV and hose end of the adaptor (E).
- 7 At the back of your appliance, connect the power cable to the power supply (115VAC, 60Hz) (F).
 - You will hear a chime sound when the appliance is powered on and automatically goes into 'Installer (standby) mode'.
 - Refer to 'User guide' for more details on activating the appliance.

- 8 Check the connection and open the water supply to test for leaks.

Note:

- The water supply connection is only used for freezer models.
- For dual installation, follow the instructions above for both first and second appliances.



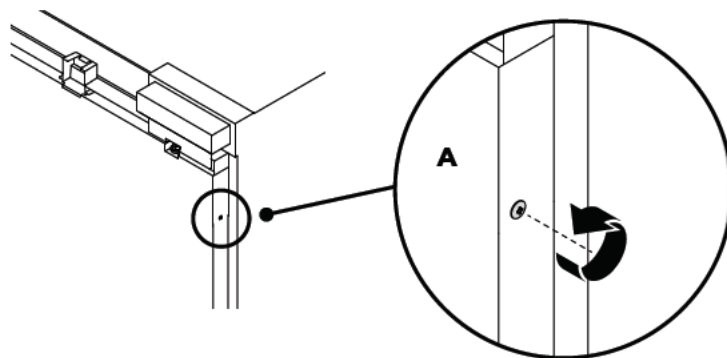
Required components/tools:

- 4x Cabinet depth alignment gauges
- Cross-head screwdriver

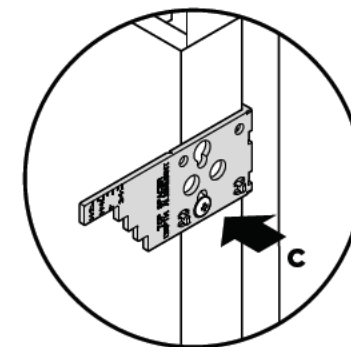
Installing depth alignment gauges

Note: The alignment gauges are only temporary and removable after installation.

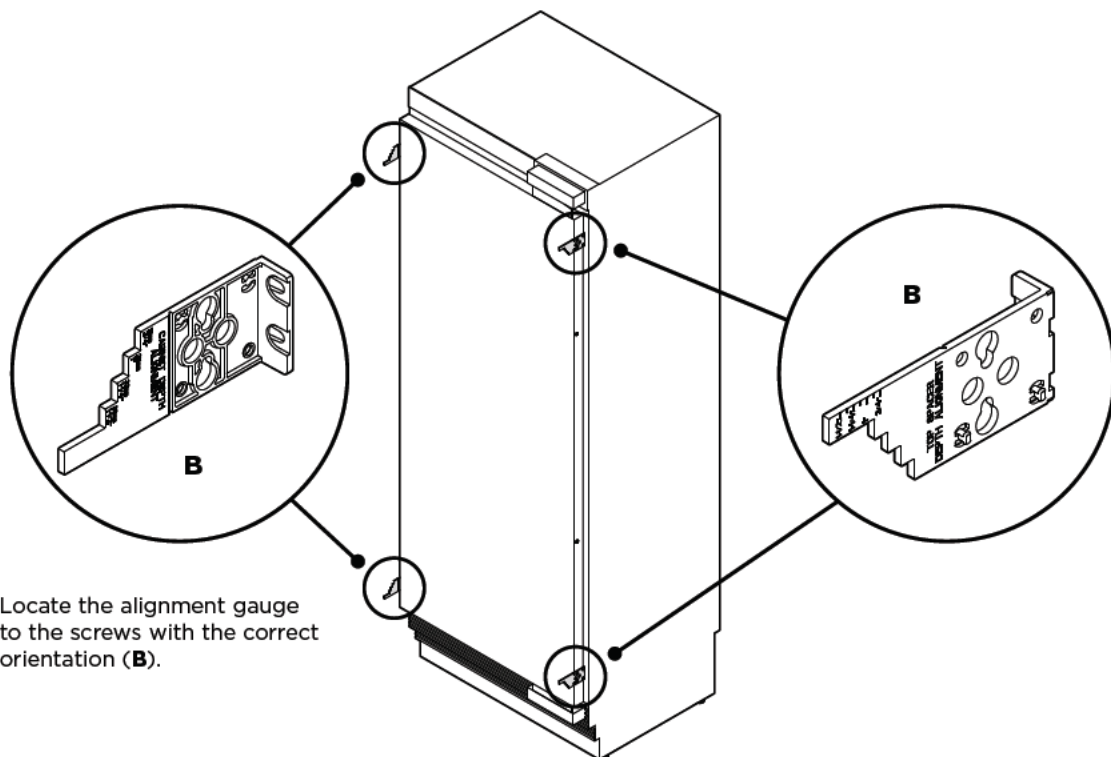
- ① Loosen the screws at the right and left, top and bottom corners of the door (A).



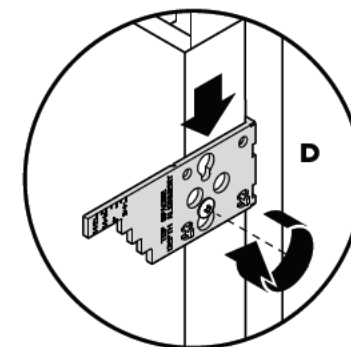
- ③ Attach the alignment gauges so that the screw head passes through the keyhole (C).



- ② Locate the alignment gauge to the screws with the correct orientation (B).



- ④ Lock the position of the alignment brackets in the keyhole, and tighten the screws just enough to firmly hold the gauges (D).



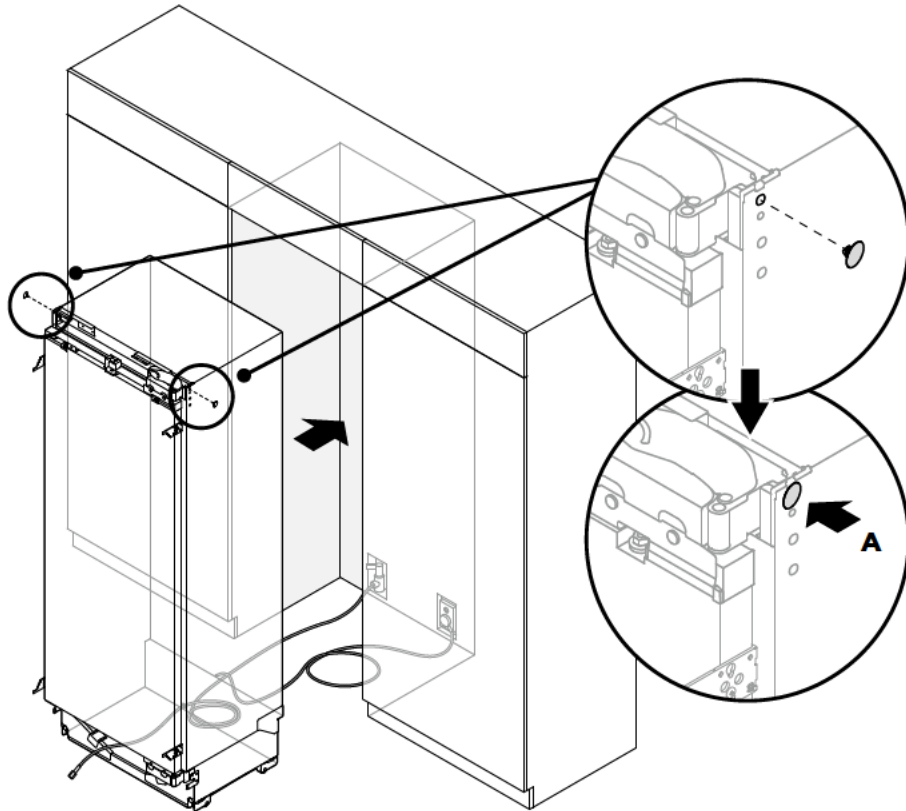
15 SINGLE INSTALLATION

IMPORTANT!

- Ensure that the hose is not run over when moving the appliance/s to prevent damage and possible water leaks.
- Use low speed, low torque setting when using powered drill.
- Ensure power cord is not damaged during installation.

Positioning the appliance inside the cabinetry

- 1 Coil the water hose flat behind the appliance.
- 2 Before rolling the appliance, insert a barbed plug into a large hole on each side of the appliance to protect the inside of the cabinetry from being damaged by screws on the sides of the appliance (A).
- 3 Roll the appliance slowly into the cabinetry. Ensure that the water hose is not run over to prevent damage that can cause water leak.
- 4 Continue rolling the appliance into the cabinetry until the anti-tip bracket overlaps [minimum 7 1/16" (180mm)] the back top surface of the appliance. Refer to 'Attach the anti-tip bracket'.
- 5 Check the clearance between the floor and the feet. Ensure the rollers of the appliance can roll freely on the floor.

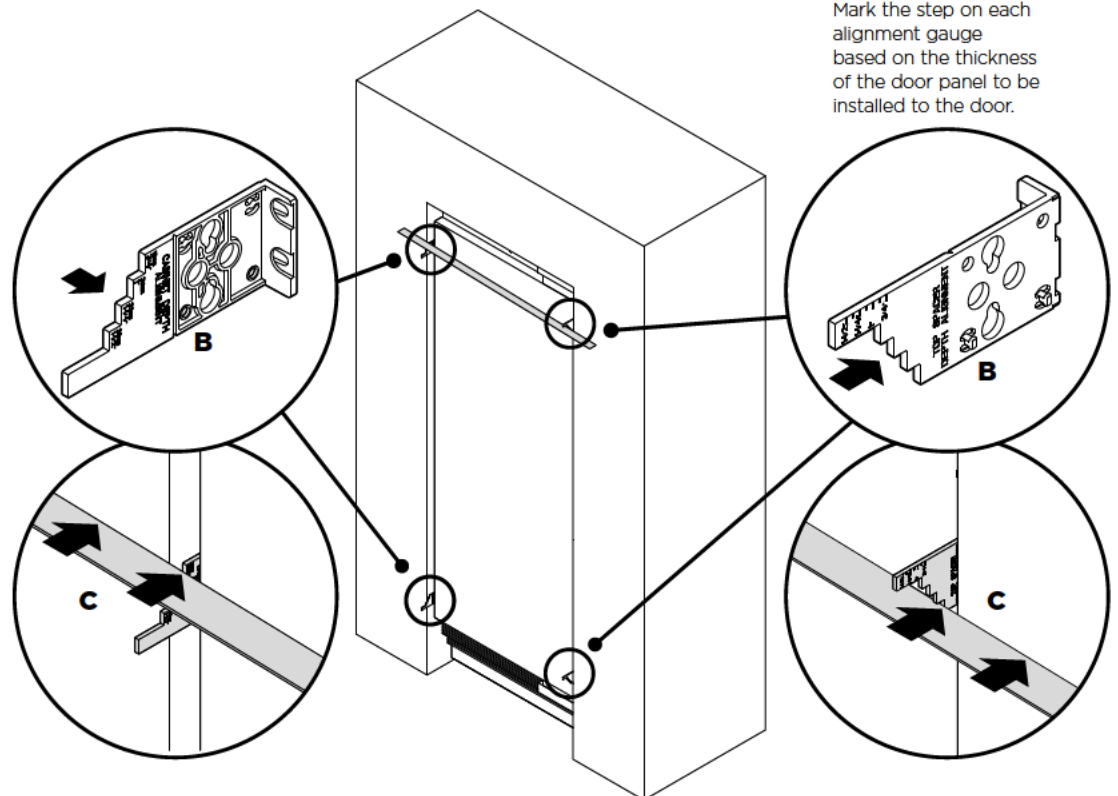


Required components/tools:

- Cross-head screwdriver or power driver (PH2 bit) at minimum torque setting
- Ruler
- 2x Barbed plugs

Aligning the appliance inside the cabinetry

- 6 Mark the step on each alignment gauge based on the thickness of the door panel to be installed to the door (B).
- 7 Align the front surface of the appliance flush with the front edge of the cabinetry side walls.
 - Place a ruler on the steps of the alignment gauges to check if they are in line (C) relative to the thickness of the door panel.
- 8 Check if the gaps between appliance and cabinetry side walls are even on both sides.



IMPORTANT!

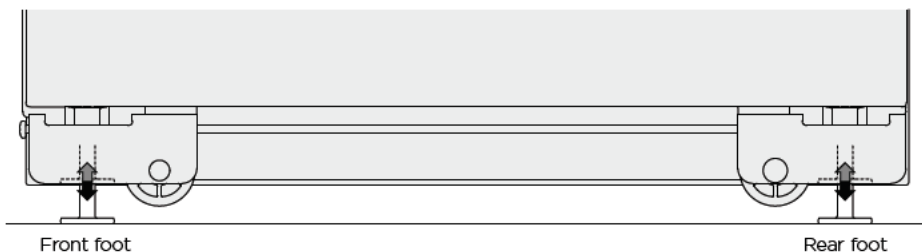
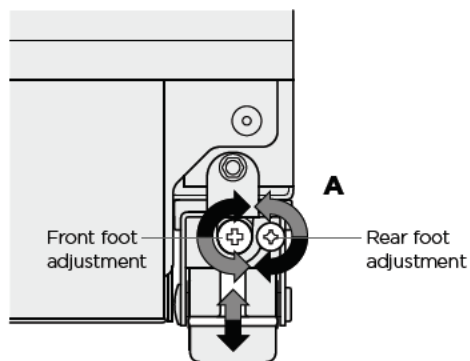
- Ensure the doors are in line with the cabinetry front and the appliance is centered.
- All four corners of the appliance must be supported firmly onto the floor to eliminate any movement. Installing the appliance on a soft, uneven, or not level floor may cause twisting and poor door sealing.

Required components/tools:

- Cross-head screwdriver or power driver (PH2 bit) at minimum torque setting

Adjusting height of the appliance inside the cabinetry

- Turn the front and rear adjustment screws using a Cross-head screwdriver (or powered driver) to extend the feet until it engages the floor.
 - One turn of height adjusting nuts is equivalent to 1/32" (0.5mm) of height adjustment. Clockwise turn raises the height and counter-clockwise turn lowers height (A).



- Continue turning the adjusting screws alternately between front and rear feet until you achieve the correct alignment.
- Once you are satisfied with the alignment, raise the height of the appliance by alternately adjusting the front and rear feet until the top surface contacts the alcove ceiling.
 - Check the alignment gauges while adjusting the screws to make sure you maintain the alignment of the appliance.
- Ensure all feet are positively engaged with the floor.

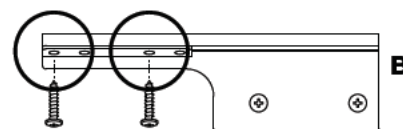
IMPORTANT!

- Make sure to remove the depth alignment brackets before fixing the appliance inside the cabinetry.
- Open the appliance door to remove the alignment brackets from both sides of the appliance, and then re-tighten the screws.

Required components/tools:

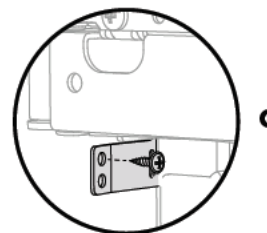
- Cross-head screwdriver or power driver
- 6x 8Gx16 countersunk screws

Fixing the appliance inside the cabinetry

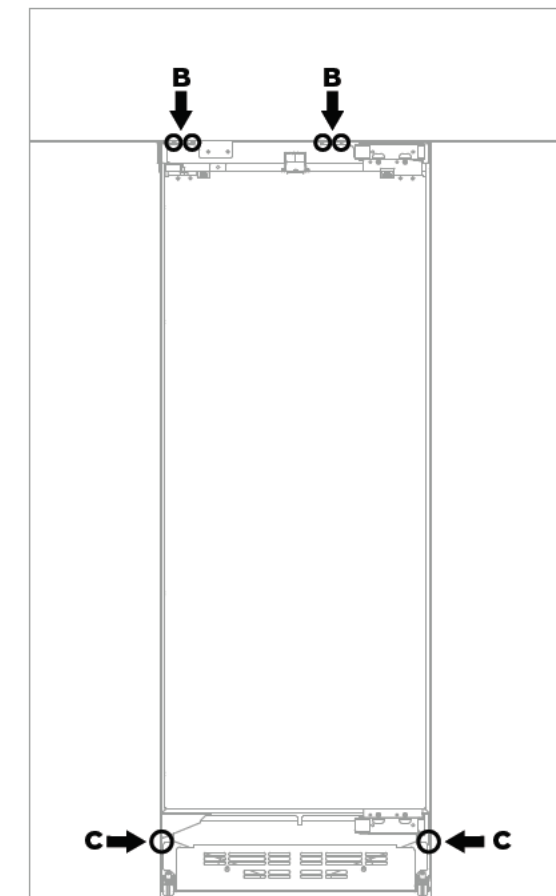


- Fix each top bracket to the ceiling surface with two 8Gx16 countersunk screws (B).
 - 18" (457mm) column = 1 bracket
 - 24" (610mm) column = 2 brackets
 - 30" (762mm) column = 2 brackets

Note: Make sure the appliance does not move as you open the door when you install the screws.



- Fix the alcove side brackets (1x per each side) to the alcove side surface with 8Gx16 countersunk screws (C).



16 DUAL INSTALLATION

Dual installation includes two appliances installed side by side. Refer to 'Cavity dimensions' section for cabinetry overall width for dual install. A joiner kit is required for dual installation and is available through an authorized Fisher & Paykel dealer. Please visit fisherpaykel.com for more information.

IMPORTANT!

- We recommend to place the appliance (Freezer) with water connection first into the cabinetry to allow you to check the connection before placing the second appliance.
- Follow the instructions carefully for the correct installation of first and second appliances inside the cabinetry.

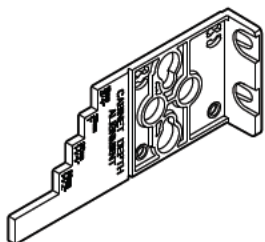
Required components/tools:

- 1x Depth alignment gauge
- Cross-head screwdriver (powered drill)
- Top joiner bracket
 - 2x 8Gx16 Mush washer screw
 - 1x Central spacer

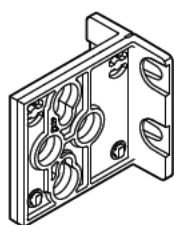
Attach central spacer to cabinetry

Note: The spacer must be attached between the first and second appliances. The attachment location of the spacer to the alcove ceiling depends on the model of each appliance.

Depth alignment gauge



Central spacer



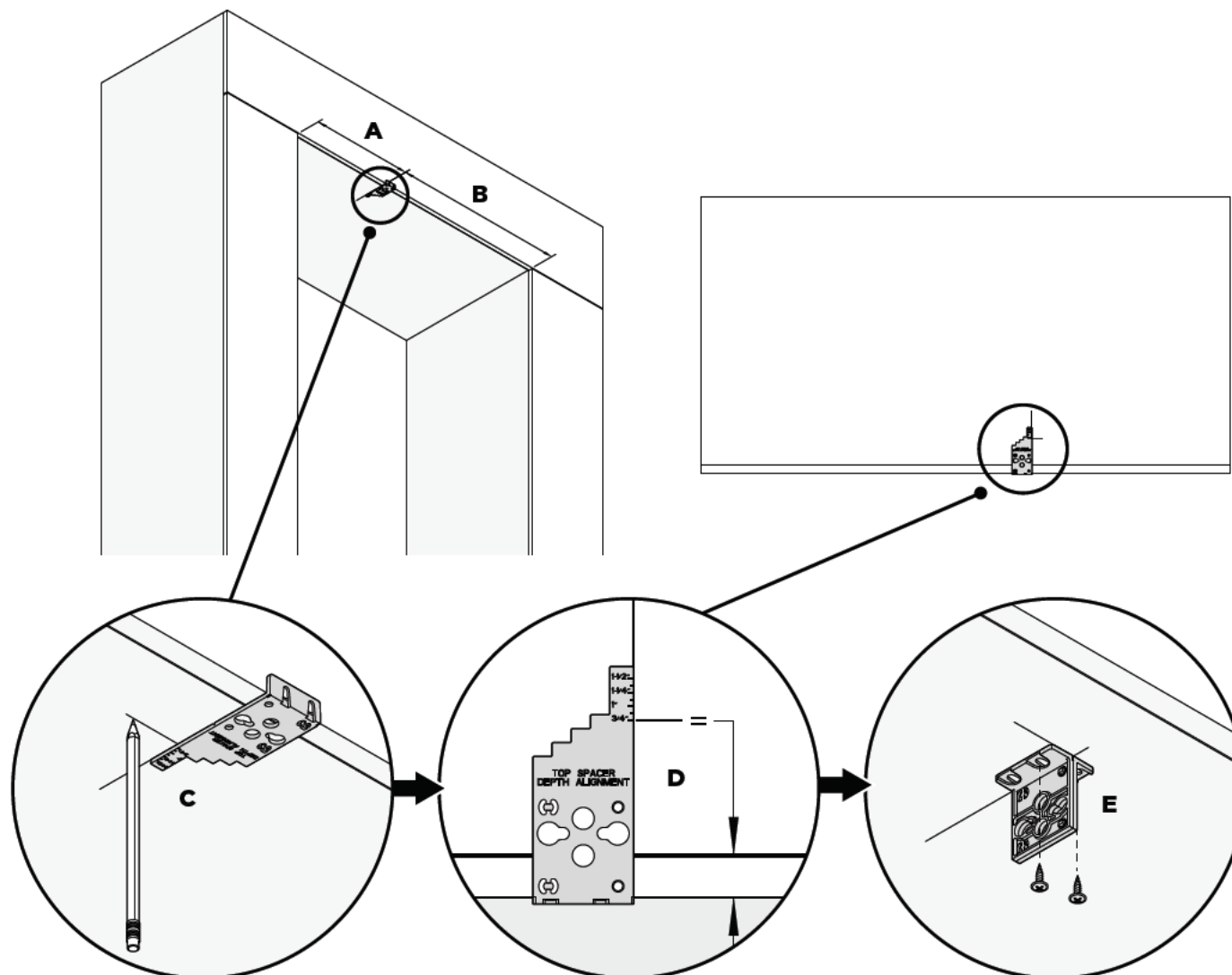
- 1 Measure from the alcove side towards the center.

Note: The alcove width for each side depends on the size of the appliance to be installed. For example,

- left side alcove width (A) = 18" model
- right side alcove width (B) = 30" model

Refer to 'Cavity dimensions' section for dual install options.

- 2 Using one depth alignment gauge, mark the location and depth position of the central spacer on the alcove ceiling depending on the door panel thickness (C).
 - Make sure to follow the marked depth of the alignment gauge relative to the door panel (D).
- 3 Fix the central spacer to the alcove ceiling with two 8Gx16 countersunk screws. Tighten the screws with a screwdriver or powered drill (E).



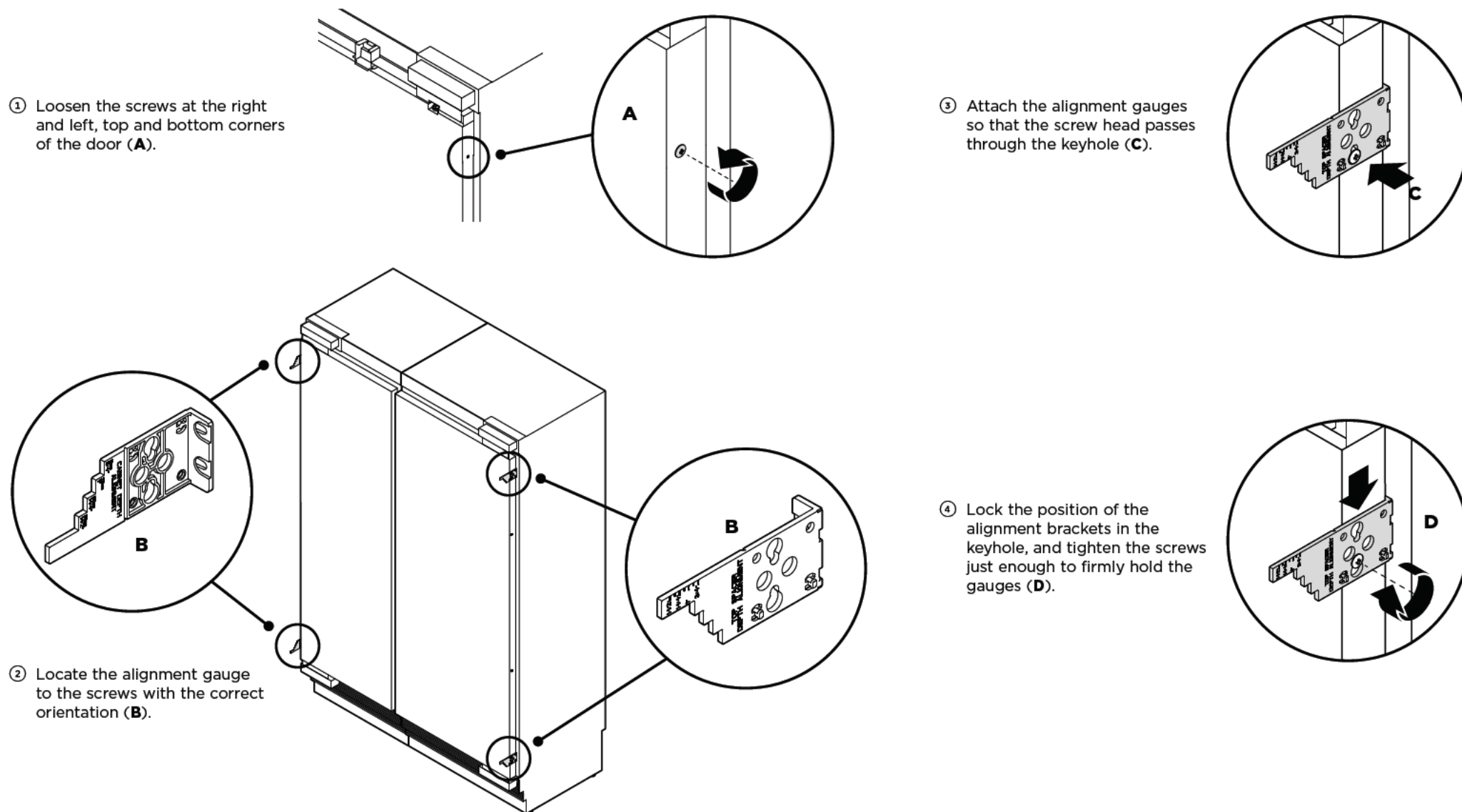
16 DUAL INSTALLATION

Required components/tools:

- 4x Depth alignment gauges
- Cross-head screwdriver

Installing depth alignment gauges

Note: The alignment gauges are only temporary and removable after installation.



16 DUAL INSTALLATION

IMPORTANT!

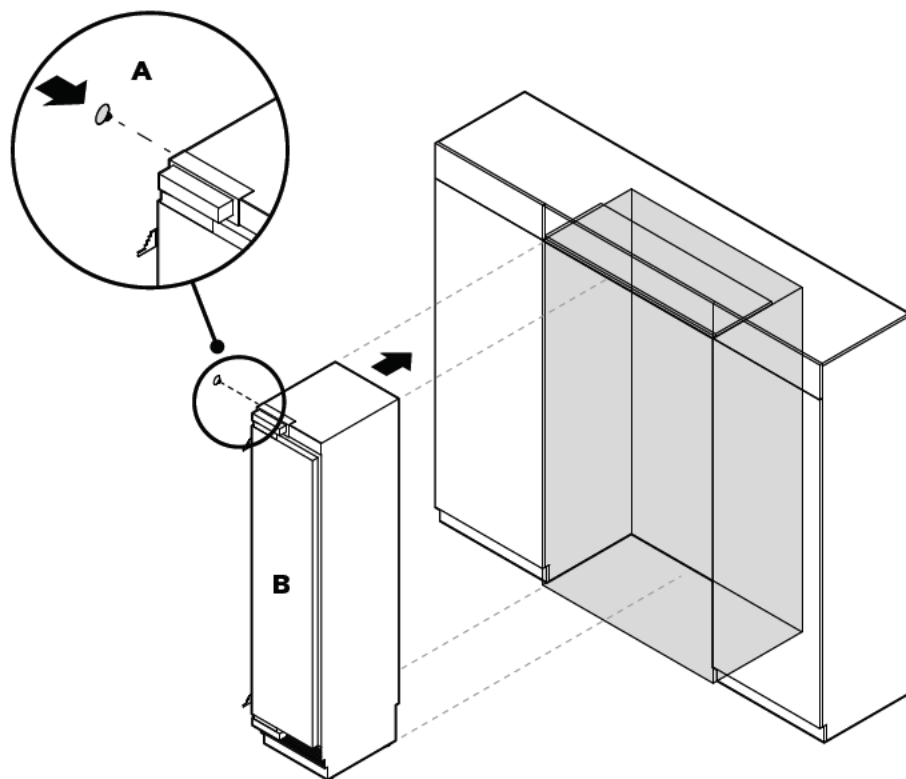
Make sure that all feet engage the floor and evenly support the product. Tighten the adjustment screw with screwdriver (do not use powered driver).

Required components/tools:

- Ruler
- 1x Barbed plug

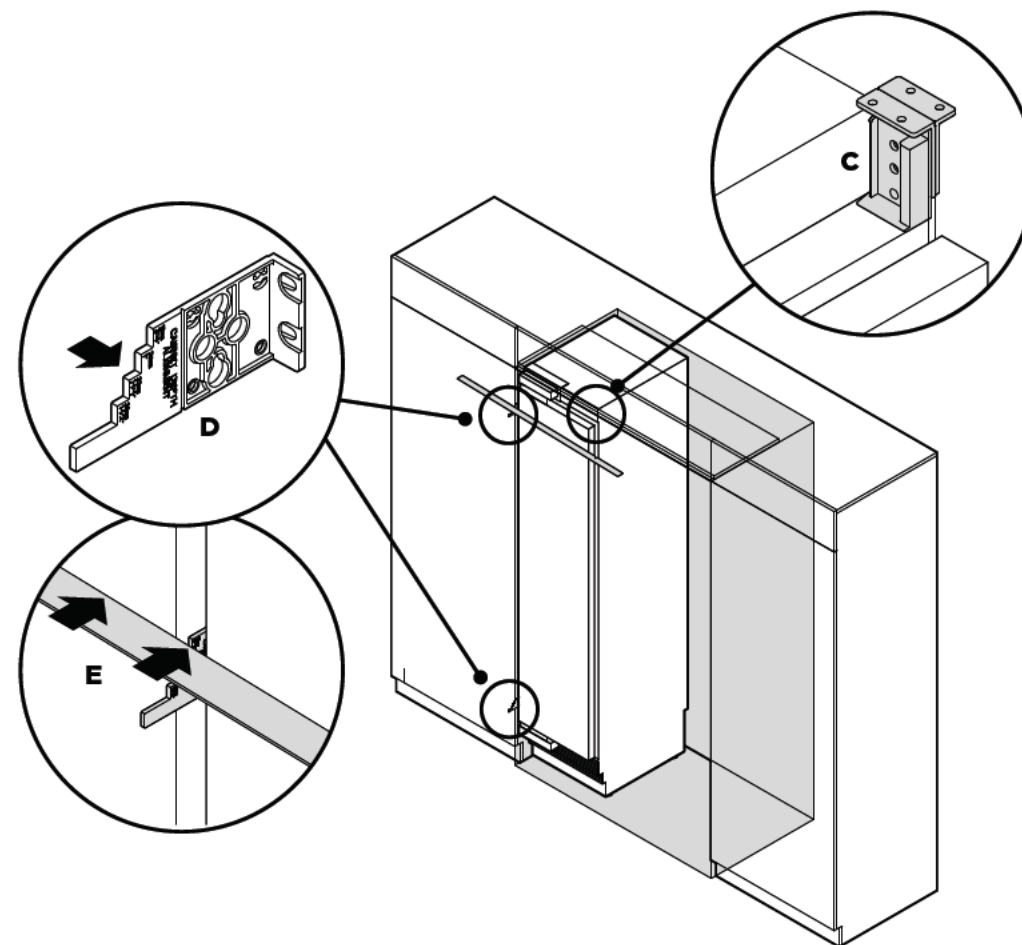
Positioning and aligning the first appliance inside the cabinetry

- ① Coil the water hose flat behind the appliance. (Refer to 'Connect to water and power supply').
- ② Before rolling the appliance, insert a barbed plug into a large hole on the cabinetry side of the first appliance to protect the inside of the cabinetry from being damaged by screws on the side of the appliance (A).
- ③ Roll the first appliance (preferably, Freezer) inside the cabinetry (B).
 - Ensure that the water hose is not run over to prevent damage and possible water leak.
- ④ Continue rolling the appliance into the cabinetry until the anti-tip bracket overlaps [minimum 7 1/8" (180mm)] the back top surface of the appliance. (Refer to 'Attach the anti-tip bracket').
- ⑤ Check the clearance between the floor and the feet. Ensure the rollers of the appliance can roll freely on the floor.



Note: The appliance can be rolled first into the left side or right side of the cabinetry depending on your preference.

- ⑥ Align the top cap of the first appliance flush with the front of the spacer (C).
- ⑦ Mark the step (D) of each alignment gauge based on the thickness of the door panel to be installed to the door.
- ⑧ Align the marked steps of the gauges flush with the edges of the cabinetry side walls.
 - Place a ruler on the steps of the alignment gauges to check if they are in line (E) relative to the thickness of the door panel.
- ⑨ Check if the gaps between appliance and cabinetry side wall are even.



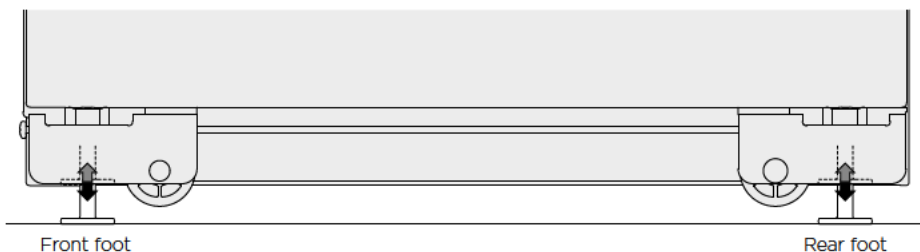
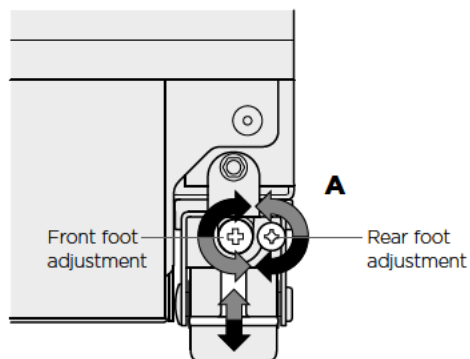
16 DUAL INSTALLATION

IMPORTANT!

- Ensure the doors are in line with the cabinetry front and the appliance is centered.
- All four corners of the appliance must be supported firmly onto the floor to eliminate any movement. Installing the appliance on a soft, uneven or unlevelled floor may cause twisting and poor door sealing.

Adjusting height of the appliance inside the cabinetry

- ① Turn the front and rear adjustment screws using a Cross-head screwdriver (or powered driver) to extend the feet until it engages the floor.
 - One turn of height adjusting nuts is equivalent to 1/32" (0.5mm) of height adjustment. Clockwise turn raises the height and counter-clockwise turn lowers height (A).



- ② Continue turning the adjusting screws alternately between front and rear feet until you achieve the correct alignment.
- ③ Once you are satisfied with the alignment, raise the height of the appliance by alternately adjusting the front and rear feet until the top surface contacts the alcove ceiling.
 - Check the alignment gauges while adjusting the screws to make sure you maintain the alignment of the appliance.
- ④ Ensure all feet are positively engaged with the floor.

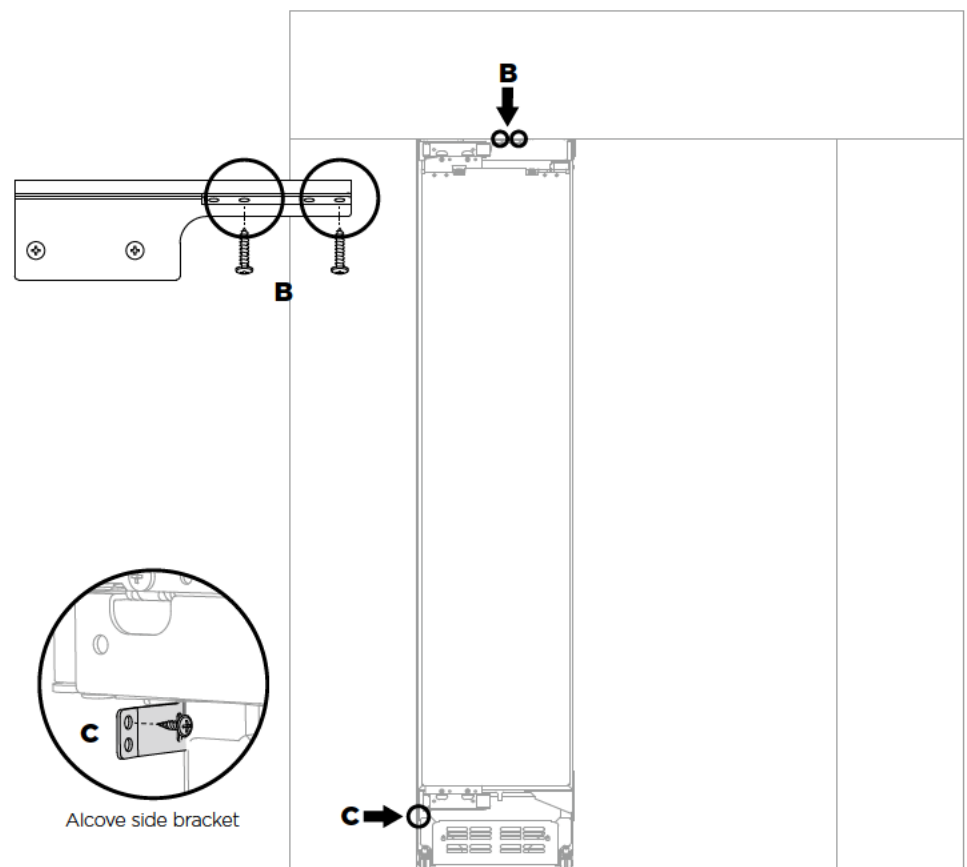
Required components/tools:

- Cross-head screwdriver or power driver
- 5x 8Gx16 Countersunk screws

Fixing the first appliance inside the cabinetry

- ① Fix each top bracket of first appliance to ceiling surface with two (2x) 8Gx16 countersunk screws (B).
 - 18" (457mm) column = 1 bracket
 - 24" (610mm) column = 2 brackets
 - 30" (762mm) column = 2 brackets

Note: Ensure the appliance does not move as you open the door when you install the screws.
- ② Fix the alcove side bracket to alcove side surface with one 8Gx16 countersunk screw (C).



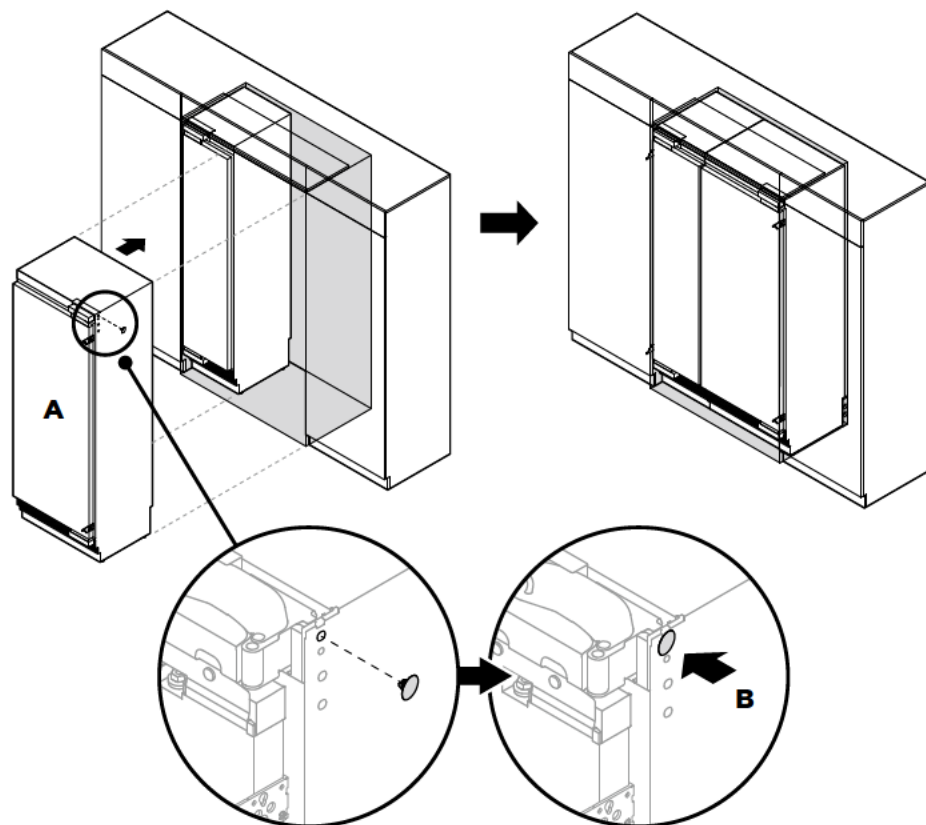
Note: Image shows first appliance (18" model) with 1 top bracket.

16 DUAL INSTALLATION

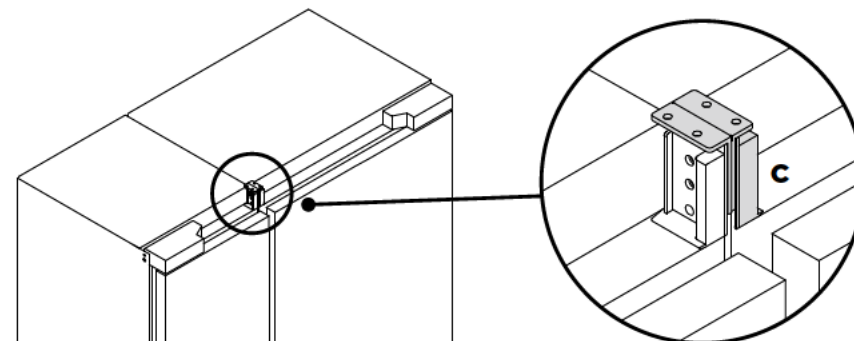
Required components/tools:

- Ruler
- 1x Barbed plug

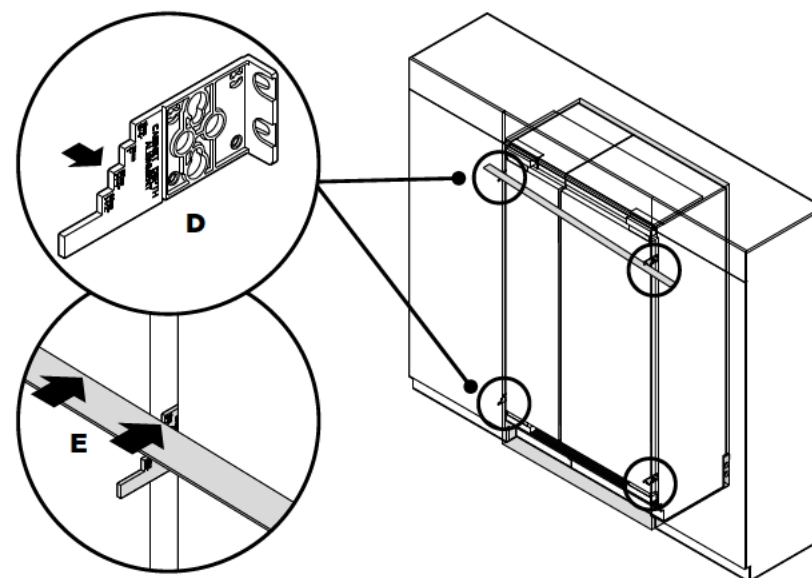
Positioning and aligning the second appliance inside the cabinetry



- 1 Roll the second appliance into the cabinetry side by side with the first appliance. (A)
- 2 Before rolling the appliance, insert a barbed plug into a large hole on the cabinetry side of the second appliance to protect the inside of the cabinetry from being damaged by screws on the side of the appliance (B).
- 3 Continue rolling the appliance into the cabinetry until the anti-tip bracket overlaps [minimum 7 1/8" (180mm)] the back top surface of the appliance. (Refer to 'Attach the anti-tip bracket').
- 4 Check the clearance between the floor and the feet. Ensure the rollers of the appliance can roll freely on the floor.



- 5 Align the top cap of the second appliance flush with the central spacer and top cap of first appliance (C).



- 6 Mark the step (D) of each alignment gauge based on the thickness of the door panel to be installed to the door.
- 7 Align the marked steps of the gauges flush with the edges of the cabinetry side walls.
 - Place a ruler on the steps of the alignment gauges to check if they are in line (E) relative to the thickness of the door panel.
- 8 Check if the gaps between appliance and cabinetry side wall are even.

16 DUAL INSTALLATION

IMPORTANT!

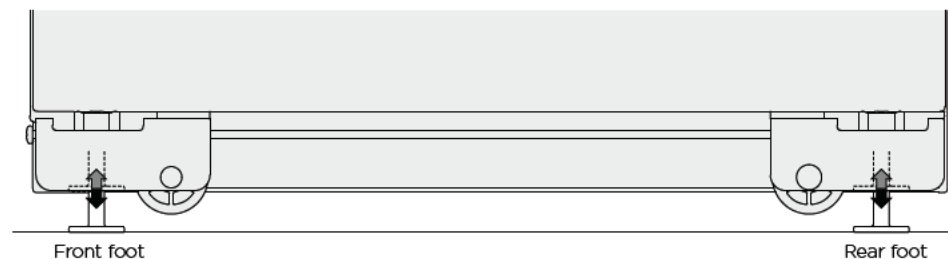
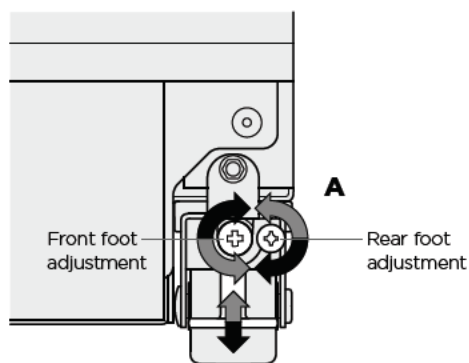
- Ensure the door is in line with the cabinetry front and the appliance is centered.
- All four corners of the appliance must be supported firmly onto the floor to eliminate any movement. Installing the appliance on a soft, uneven, or not level floor may cause twisting and poor door sealing.

Required components/tools:

- Cross-head screwdriver or power driver (PH2 bit) at minimum torque setting

Adjusting height of the second appliance inside the cabinetry

- 1 Turn the front and rear adjustment screws using a Cross-head screwdriver (or powered driver) to extend the feet until it engages the floor.
 - One turn of height adjusting nuts is equivalent to 1/32" (0.5mm) of height adjustment. Clockwise turn raises the height and counter-clockwise turn lowers height (A).



- 2 Continue turning the adjusting screws alternately between front and rear feet until you achieve the correct alignment of the second appliance with the first appliance.
- 3 Once you are satisfied with the alignment, raise the height of the appliance by alternately adjusting the front and rear feet until the top surface contacts the alcove ceiling.
 - Check the alignment gauges while adjusting the screws to make sure you maintain the alignment of both appliances.
- 4 Ensure all feet are positively engaged with the floor.

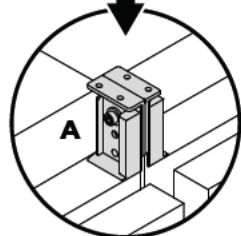
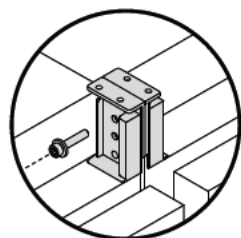
16 DUAL INSTALLATION

Required components/tools:

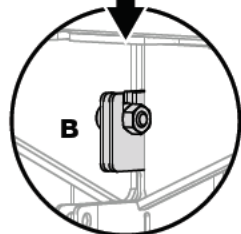
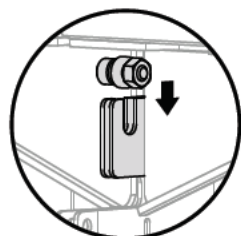
- Top joiner fastener kit
 - 1x M5x20 Cap screw
 - 1x M5x16x1 Plain washer
- Bottom joiner fastener kit
 - 1x M6x16 Washer screw
 - 2x M6x12x3.2 Plastic washer
 - 1x M6 Hex nut
- 5x 8Gx16 Countersunk screw
- M4 Hex key

Fixing the second appliance inside the cabinetry

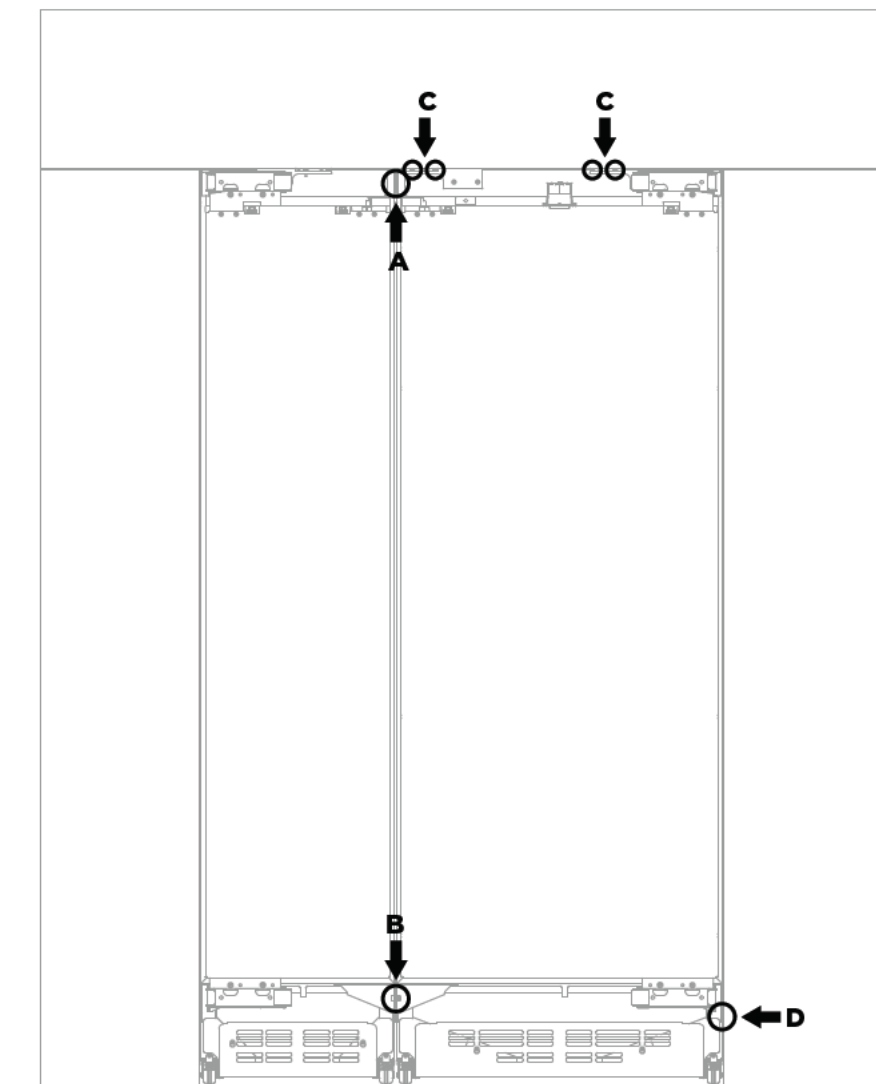
- ① Fix the top caps of first and second appliances to the central spacer with the top joiner fastener kit (A).
- ② Fix the bottom joiner brackets of both appliances together with the bottom joiner kit (B).
 - Place the plastic washers between the bottom joiner brackets before fixing with the screw and nut. Tighten with M4 hex key.
- ③ Fix the top brackets (C) and bottom alcove side bracket (D) of the second appliance to the cabinetry with . 8Gx16 countersunk screws.
- ④ Do final alignment check. Ensure the feet of both appliances are positively engaged with the floor.



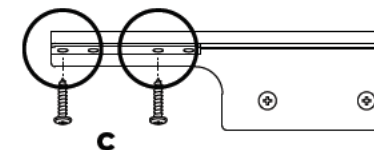
Top joiner brackets with central spacer



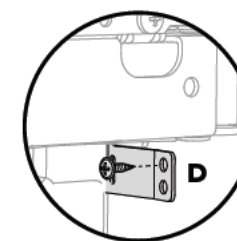
Bottom joiner brackets



Note: Image shows second appliance (30" model) with 2 top brackets.



C



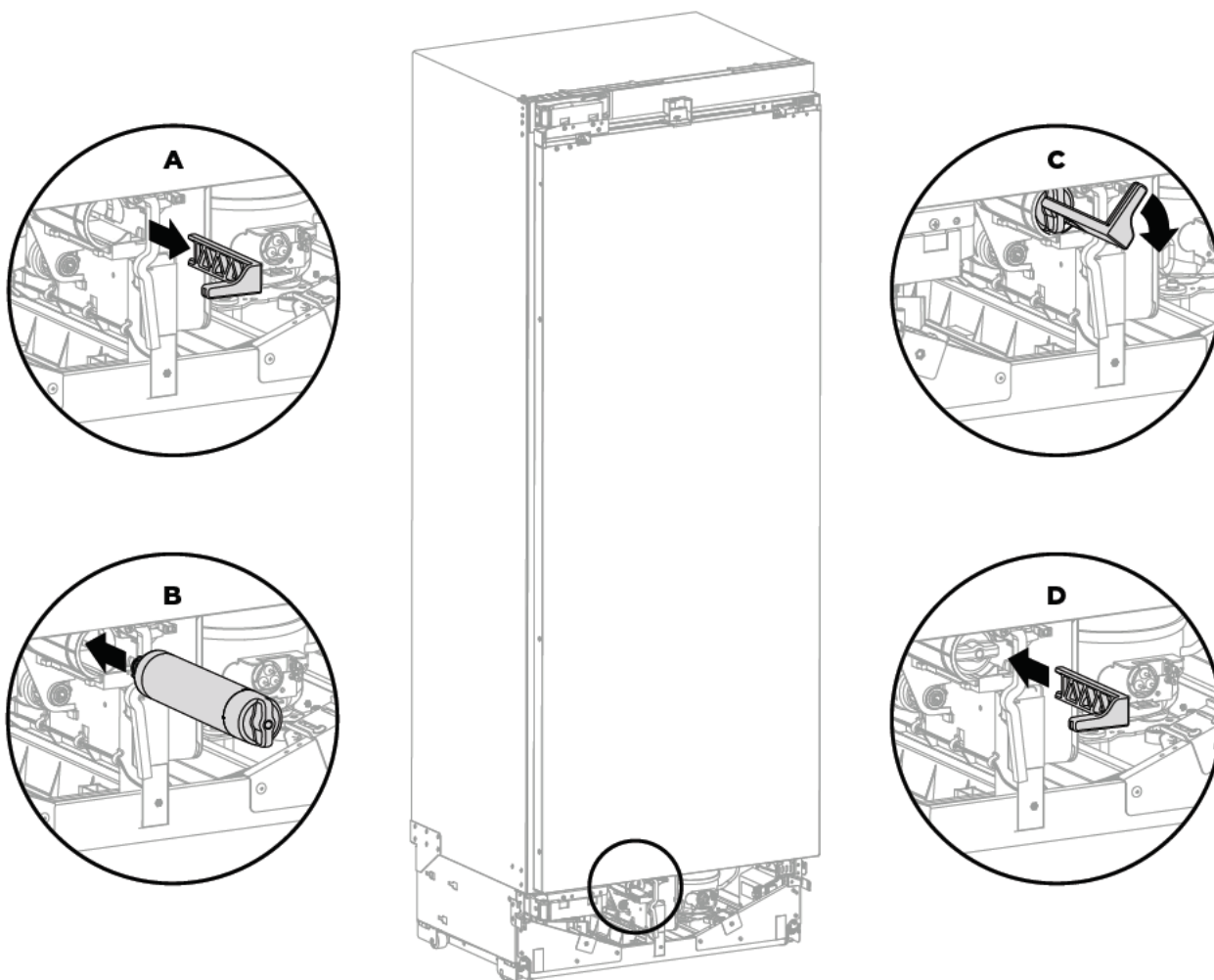
Alcove side bracket

17 INSTALL WATER FILTER

Required components/tools:

- 1x Water filter
- 1x Water filter removal tool (included with appliance)

- 1 Remove the water filter packaging.
- 2 Pull the filter tool gently to dislodge from the front of the appliance (**A**).
- 3 Insert the water filter all the way into the filter casing and press firmly until the filter head is pushed further inside the casing (**B**).
- 4 Using the filter tool, rotate the filter head 90° to lock in place (**C**).
- 5 Return the filter tool to its storage position (**D**).
- 6 Turn on the water supply to check for leaks.



Flushing the water filter

Before turning on your automatic ice maker, the water filter must be flushed to remove any impurities or trapped air in the water tank and filter system.

Refer to the user guide 'Operating instructions—Automatic ice maker (freezer only)'.

18 INSTALL BRACKETS TO DOOR PANEL (STAINLESS STEEL)

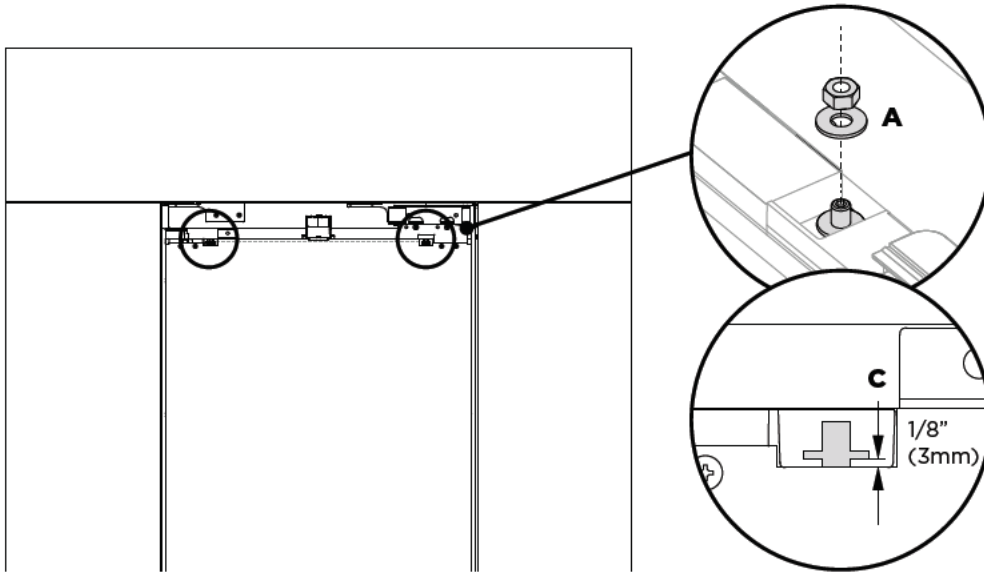
IMPORTANT!

- Ensure to protect the finish of the Fisher & Paykel Stainless Steel door panels. Leave the protective film on the panels when hanging and remove the film only when the installation is complete.

Required components/tools:

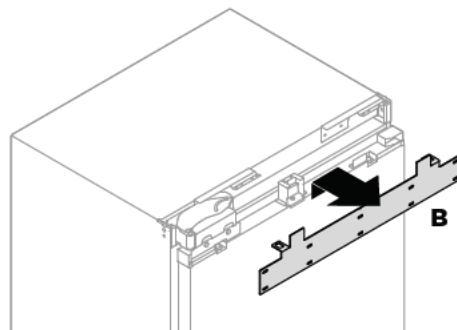
- Door panel attachment kit
 - 6x Side panel brackets
 - 6x Bracket slider
 - 6x Side spacer bracket
 - 30x 8Gx16 Mush washer screws (for SS door panels only)
- Drill with 3/32" (2.55mm) bit
- Cross-head driver on battery drill
- M4 hex key
- 1/2" (13mm) Spanner

Attach the top and side hanging brackets to (Stainless steel) door panel

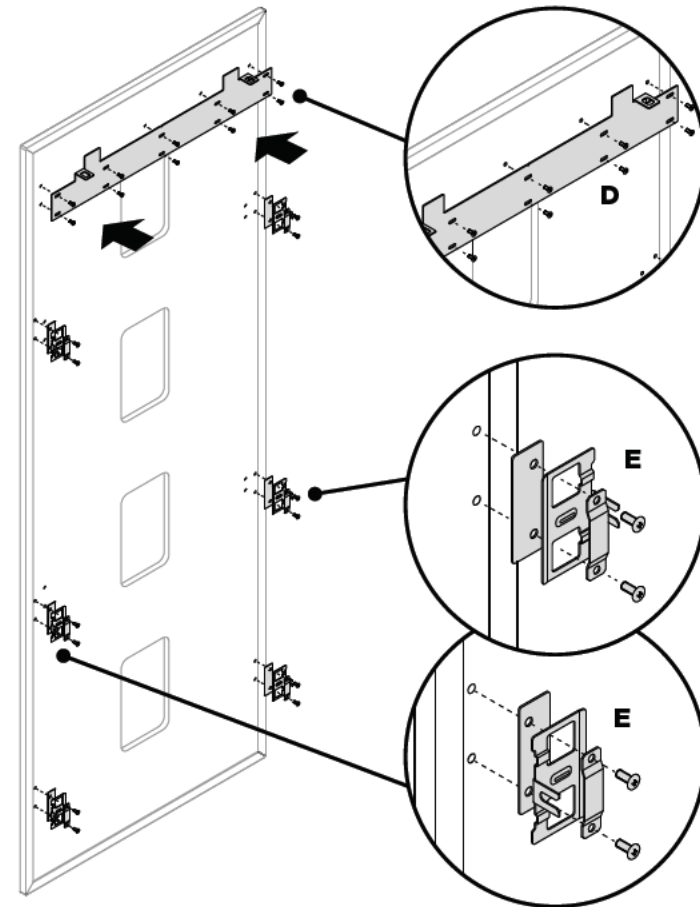


- 1 Remove the M8 washer and M8 nut from the M8 screws at the top the door (A).

- 2 Remove the top hanging bracket from the top of the door and set aside (B).
- 3 Unscrew the adjustment screws by 1/8" (3mm) to move close to the middle of adjustment range (C).



- 4 Align the screw holes of the bracket with the screw holes of the door panel, and fix the hanging bracket to the door panel with 8Gx16 mush washer screws (D).
 - 6x screws for 18" (457mm)
 - 10x screws for 24" (610mm) and 30" (762mm)



- 5 Align the side panel bracket assembly (bracket, slider and spacer) to the screw holes on the side of the door panel and fix with 8Gx16 mush washer screws (E).

19 INSTALL BRACKETS TO DOOR PANEL (CUSTOM)

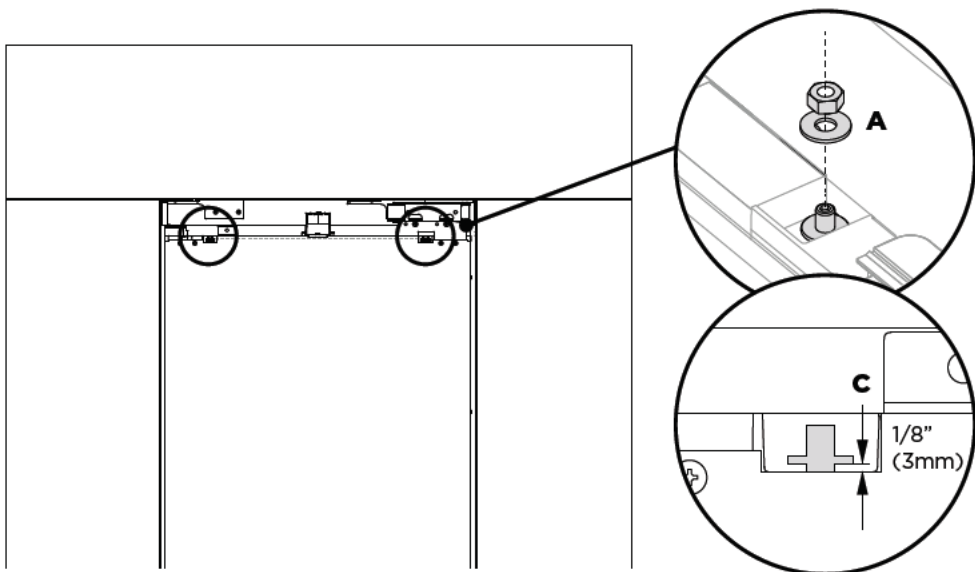
IMPORTANT!

- Ensure the screw pilot holes do not penetrate the full depth of the panel.
- Do not place the handle holes in marked areas to avoid clashing with panel attachment brackets.
- Minimum panel thickness where screw hole is drilled must be 5/8" (16mm).

Required components/tools:

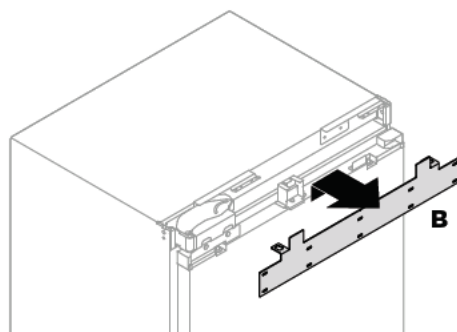
- Door panel attachment kit
 - 6x Side panel brackets
 - 6x Bracket slider
 - 6x Panel bracket spacer
 - 30x M5x12 Cross-head screws (for Custom door panel only)
- Drill with 3/32" (2.55mm) bit
- Powered driver (Cross-head)
- M4 Hex key (supplied)

Attach the top and side hanging brackets to (Custom) door panel

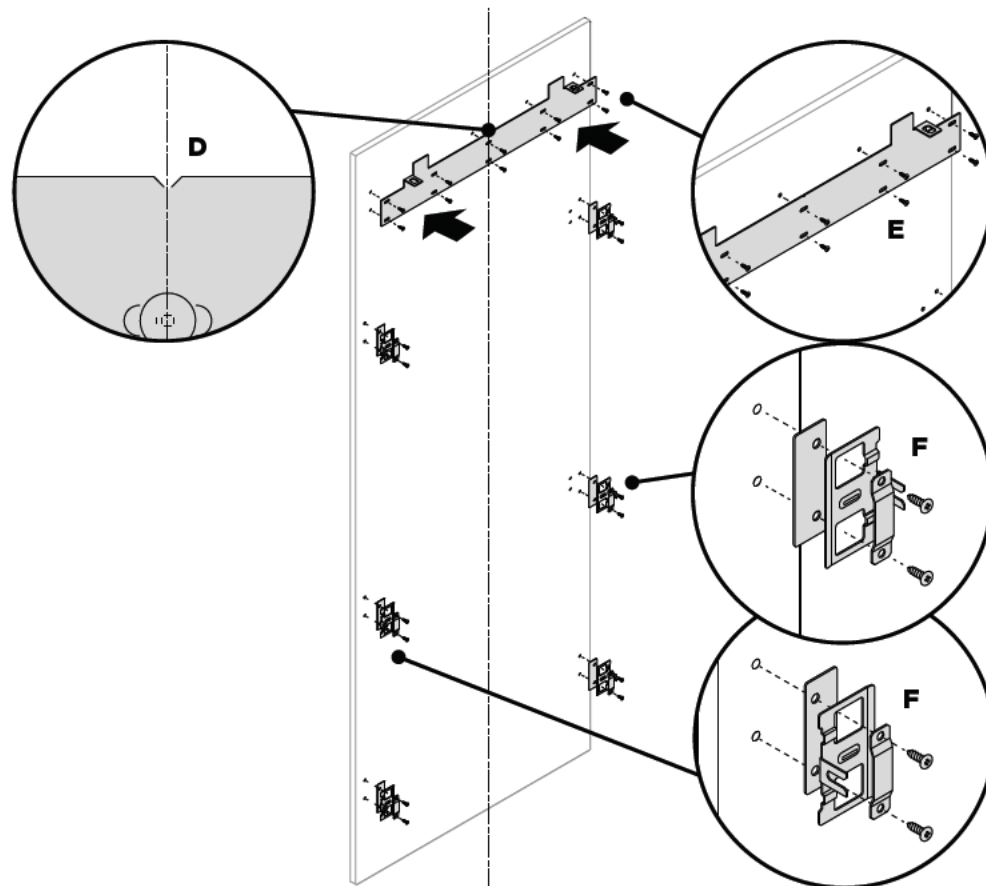


① Remove the M8 washer and M8 nut from the M8 screws at the top the door (B).

- ② Remove the top hanging bracket from the top of the door and set aside (A).
- ③ Unscrew the adjustment screws by 1/8" (3mm) to move close to the middle of adjustment range (C).
- ④ Mark the location of the screw holes and drill pilot holes to the marked location. Refer to the custom panel template in the 'Custom door panel dimensions' section.



- ⑤ Mark the centerline from the top of the Custom panel and align with the 'V' notch in the bracket (D).
- ⑥ Align the screw holes of the bracket with the screw holes of the door panel and fix the hanging bracket to the door panel with M5x12 Cross-head screws (E).
- 6 screws for 18" (457mm)
 - 10 screws for 24" (610mm) and 30" (762mm)



⑦ Align the side panel bracket assembly (bracket, slider and spacer) to the screw holes on the side of the door panel and fix with M5x12 Cross-head screws (F).

20 INSTALL DOOR PANELS

IMPORTANT!

- The assembly of Fisher & Paykel (Stainless steel) door panels and Custom door panels are outlined below.
- Ensure to protect the finish of the Fisher & Paykel Stainless steel door panels. Leave the protective film on the panels when hanging. Remove the film only when the installation is complete.
- If using Custom door panels, ensure they are prepared as per 'Custom door panel dimensions' section.

IMPORTANT!

We recommend to load the shelves in the appliance door with weights to ensure an accurate door panel gap width.

Weight recommendations:

- 18" appliance: 22lbs (10kg)
- 24" appliance: 33lbs (15kg)
- 30" appliance: 44lbs (20kg)

Required components/tools:

- 4x M5x25 Hex screws
- 1x Drill with 3/32" (2.55mm) bit
- 1x Cross-head driver on battery drill
- M4 Hex key
- 1/2" (13mm) Spanner

Attach the door handle

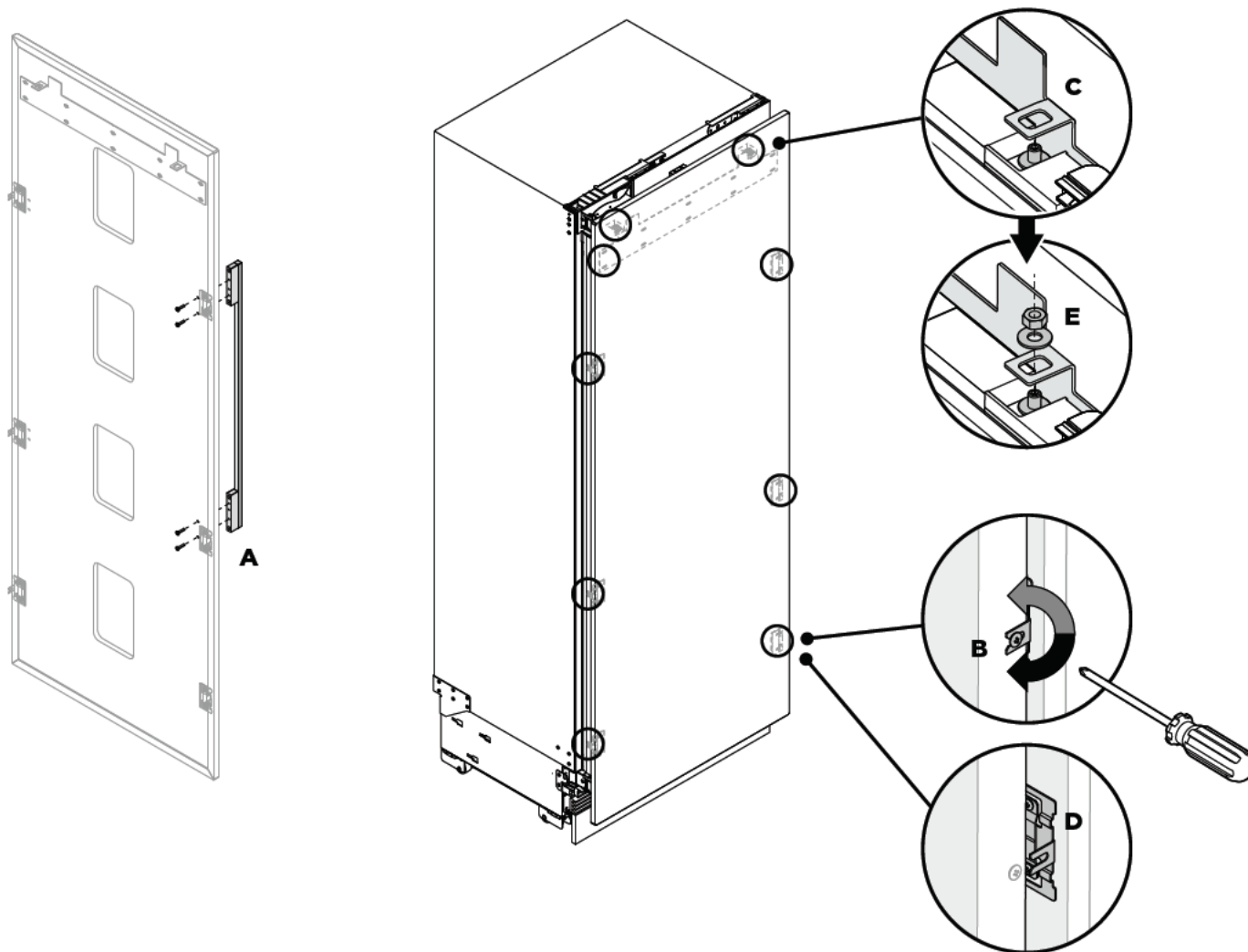
- 1 For Stainless steel door panel:
 - Remove the plastic plugs from handle holes (4x).
 - Align the handle to the holes and secure with M5x25 hex screws (A).

For Custom panels:

- Fix the handle with M5x25 hex screws from the inner edge of the panel.
- Refer to 'Custom door panel dimensions' section to ensure door handle does not interfere with side attachment brackets.

Hang the door panel

- 2 Open the door and loosen the screws at both sides of the door (do not remove) (B).
- 3 Hang the door panel with a small angle to the door by locating the holes of the top bracket to the M8 studs (C), and rotate the door panel down so that the side attachment brackets slide onto the side screws of the door. (D)
- 4 Screw the M8 washer and nut to the stud (E), and re-tighten the side screws (B) to fix the door panel (do not fully tighten). This will allow opening the door without affecting adjustment of the door panel.



20 INSTALL DOOR PANELS

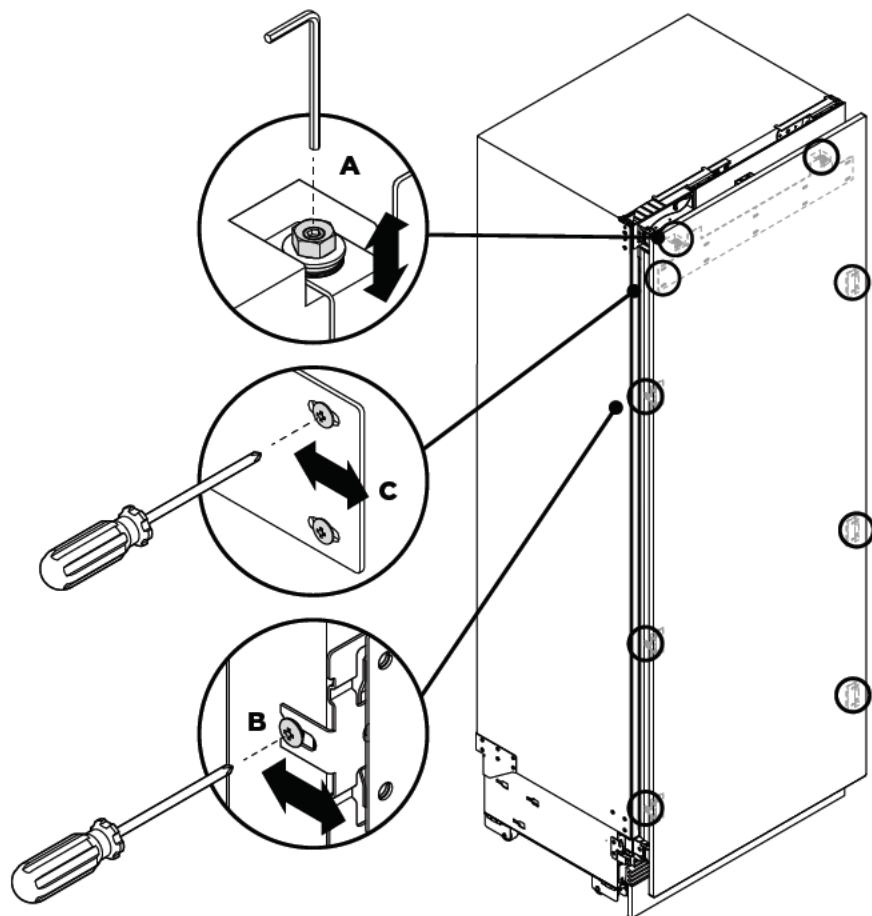
Required components/tools:

- 1x Cross-head screwdriver
- M4 Hex key
- 1/2" (13mm) Spanner

Adjust the door panel

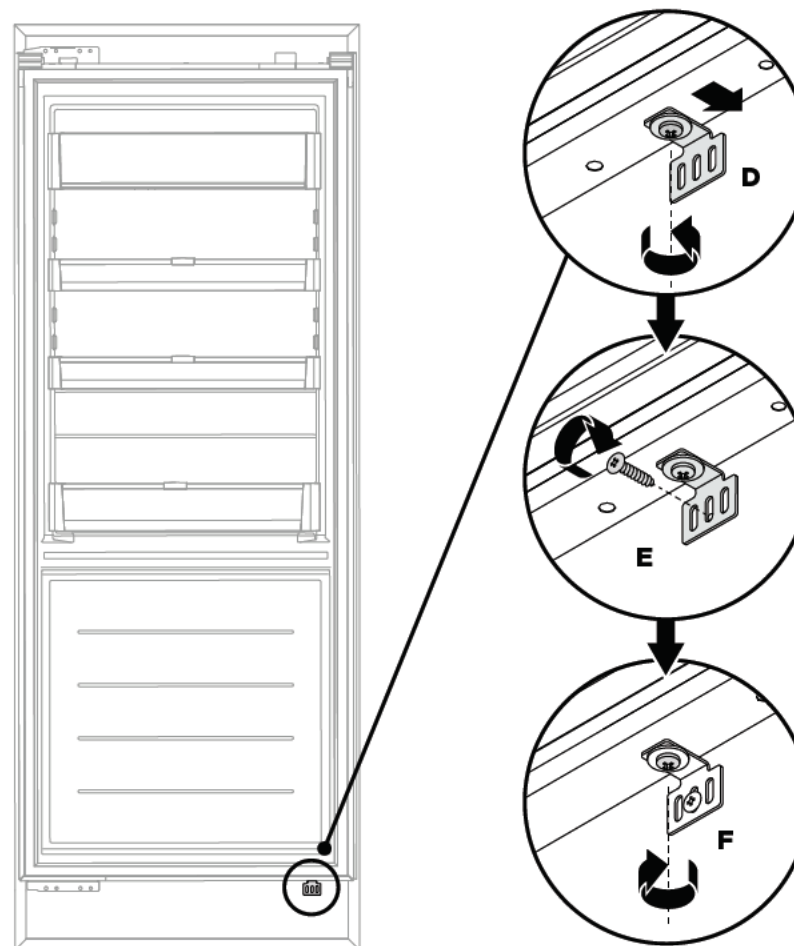
Note: All door panels have full axis adjustment to ensure they are flush with adjacent walls.

- ① To adjust the height of the door panel relative to the door, use M4 hex key to turn the top M8 screw (A) clockwise to lower or counter-clockwise to raise the door panel until the gap with the cabinetry above is 1/8" (3mm).
- ② To adjust the depth of the door panel, loosen the side screws (B) from each side and slide the panel forward/backward. Re-tighten once satisfied.
- ③ To adjust the door panels further, remove the door panels then loosen the fixing screws for the hanging bracket and move the bracket sideways to suit. (C)
- ④ Once satisfied with the door panel position, fully tighten M8 washer and nut to the stud using a M4 hex key (A).



Fix the locking brackets

- ① Loosen the screw at the bottom of the door, and slide the locking bracket out until it touches the panel (D).
- ② Fix the locking bracket to the door panel with 8Gx16 countersunk screw (E).
- ③ Re-tighten the screw at the bottom of door (F).



21 INSTALL TOE KICK

IMPORTANT!

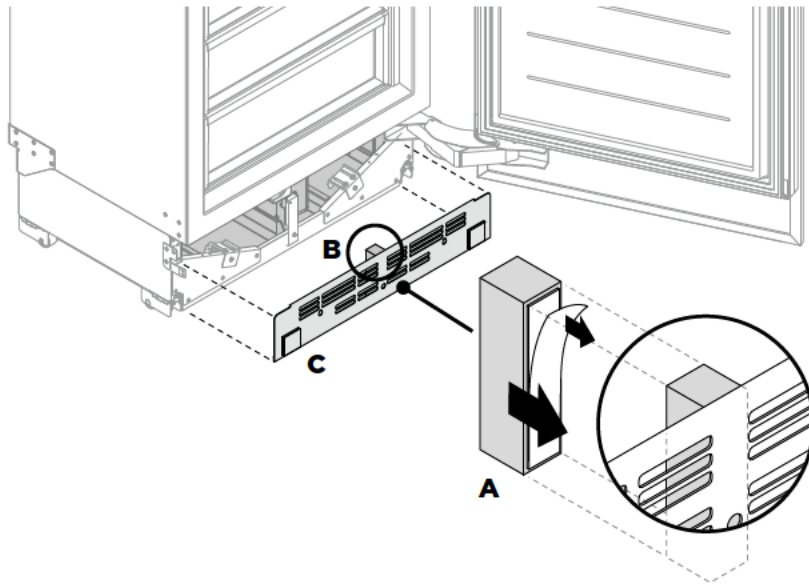
Two magnets are pre-installed to the bottom corners of the toe kick mounting plate. Each magnet has double-sided tape to be attached to the toe kick. This allows both Stainless steel and Custom panels to be attached to the magnet.

Required components/tools:

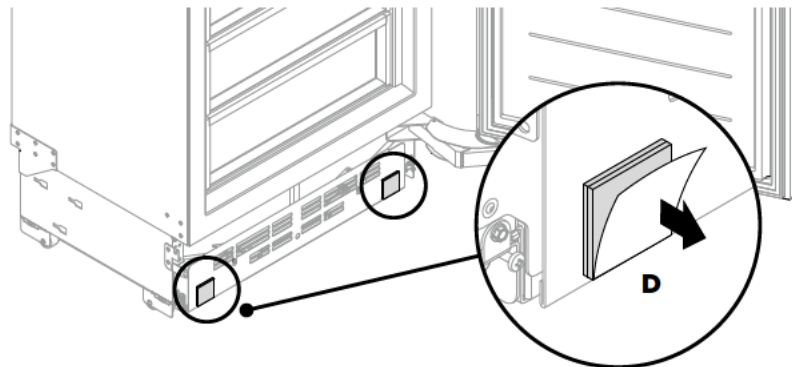
- 1x Air toe kick seal
- 1x Toe kick

Installing the toe kick mounting plate and toe kick

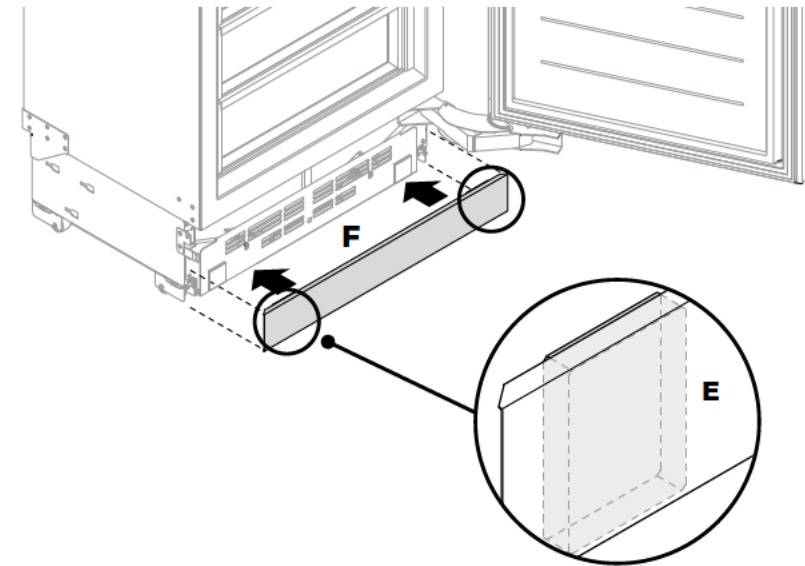
- ① If the toe kick depth is less than 3 5/8" (92mm), attach the air toe kick seal (A) to the middle of the back side of the mounting plate (B).
- ② Attach the toe kick mounting plate (C) to the plinth.



- ③ Peel off the adhesive tape backing of the magnets located at the front bottom corners of the toe kick mounting plate (D).



- ④ Place the toe kick in front of the mounting plate. Ensure that the spacers at back of the toe kick are aligned with the magnets (E).
- For custom toe kick, skip step ③ as spacers are not needed.
- ⑤ Attach the toe kick by pressing onto the mounting plate (F).
- For stainless steel: Ensure the adhesive tape of the magnets adhere to the spacers of the toe kick.
- Ensure the bottom of the toe kick contacts the floor as you attach to the mounting plate.



IMPORTANT!

- For toe kick heights 4 1/2" - 5" (114 - 127mm), shorten the lower grille by cutting along the vertical ribs.
- For 2" (51mm) toe kick height, an additional lower grille can be ordered.
- For toe kick heights greater than 5" (127mm), lower grille is not required.
- Refer to 'Door and toe kick panel dimensions' for more information.

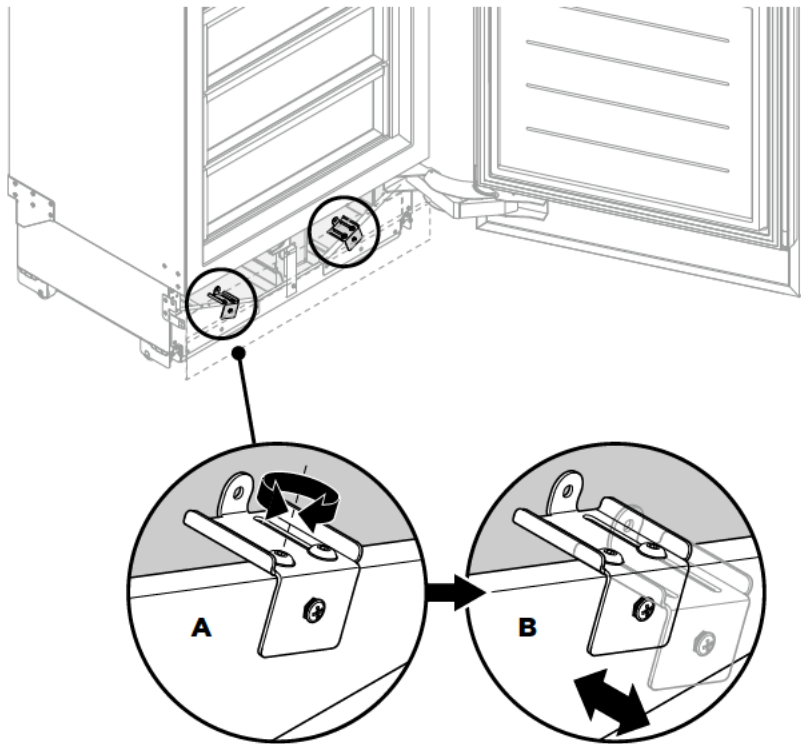
22 INSTALL TOE KICK GRILLE

Required components/tools:

- Hex key (supplied)
- 1x Fixed (top) grille
- 1x Bottom (movable) grille
- 8x16mm Pan head screws

Adjusting the toe kick grille

- ① Loosen the cap screws of the adjustment brackets from both sides of the plinth using a hex key (A).
- ② Adjust the toe kick to the desired depth by moving it forward/backward (B).
- ③ Re-tighten the cap screws of the adjustment brackets on both sides using the hex key.

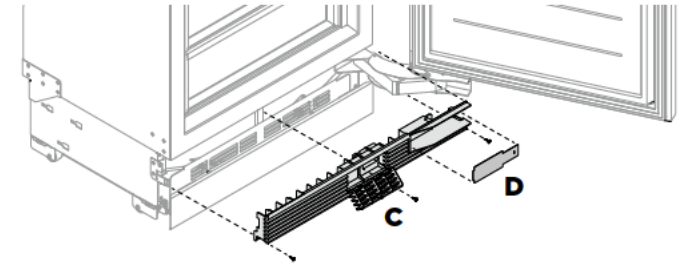


IMPORTANT!

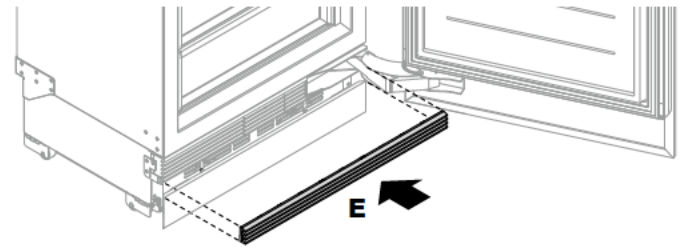
- For toe kick heights 4 1/2" - 5" (114 - 127mm), shorten the lower grille by cutting along the vertical ribs.
- For 2" (51mm) toe kick height, an additional lower grille can be ordered.
- For toe kick heights greater than 5" (127mm), lower grille is not required.
- Refer to 'Door and toe kick panel dimensions' for more information.

Attach the top and bottom grilles

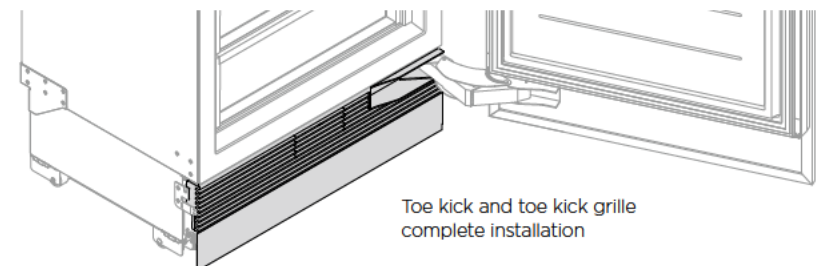
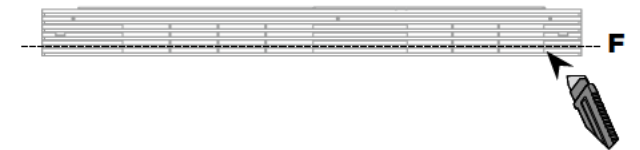
- ④ Install the top (fixed) grille (C) with 8x16mm pan head screws and reinstall bottom hinge ribs (D).



- ⑤ Install the bottom (movable) grille (E) with 8x16mm pan head screws.



- For toe kick heights 4 1/2" - 5" (114 - 127mm), shorten the bottom grille by cutting along the vertical ribs (F).



Toe kick and toe kick grille complete installation

23 INSTALL CABINET TRIMS

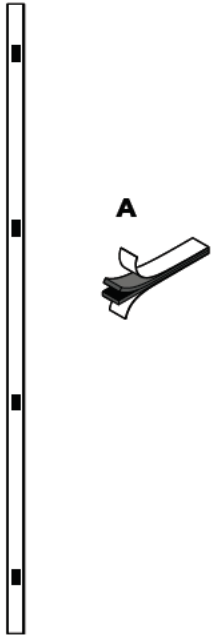
Required components/tools:

- 1x Alcove side trim assembly

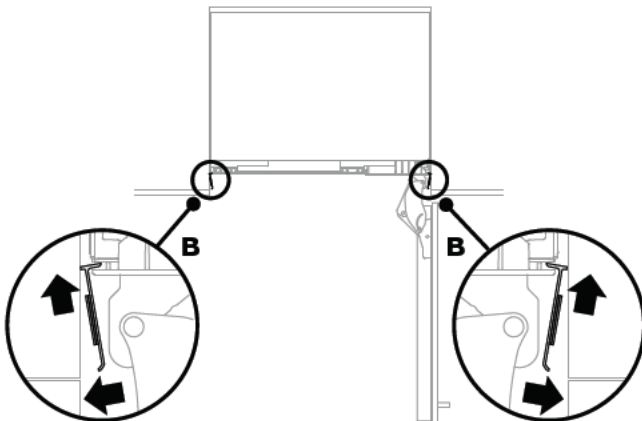
Install the side trims

Note: Four (4) dual-lock strips are pre-installed along each side trim.

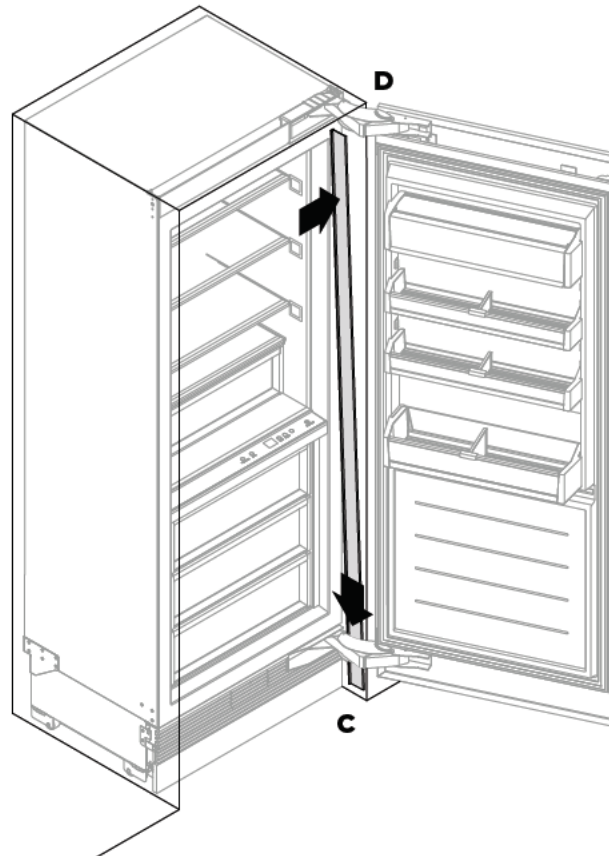
- ① Peel off the liners from the dual-lock strips. (A)



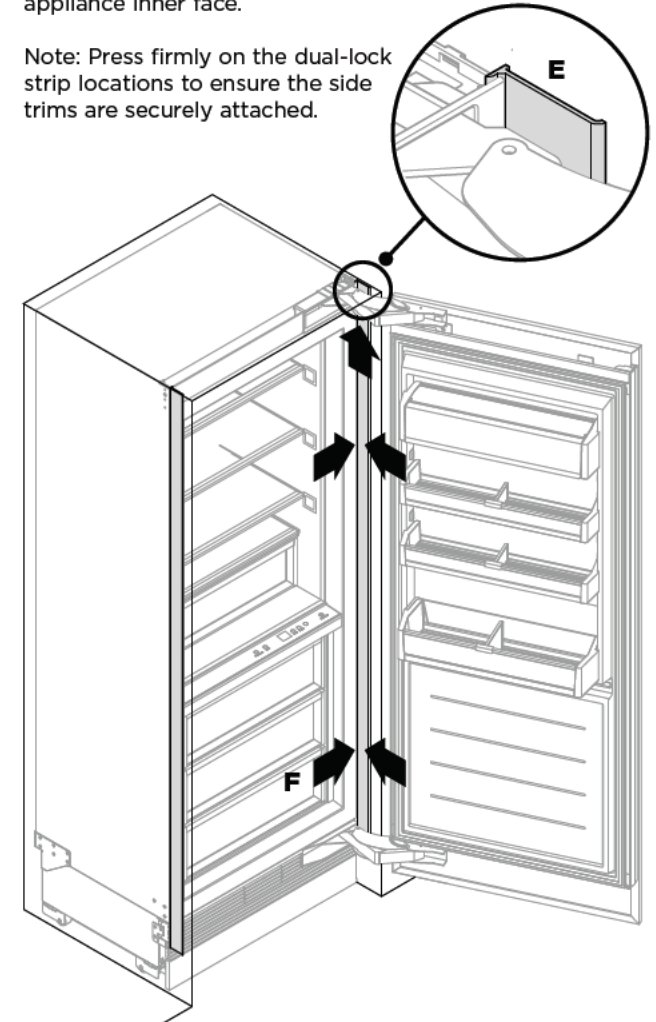
- ② Position the trim on the throat with an angle. (B)



- ③ Slide the trim behind the lower hinge (C), then the top hinge (D). Hold the same angle when sliding the trim.



- ④ Slot trim in behind top hinge pocket (E), then press (F) adhesive to cavity ensuring trim is also tight against appliance inner face.



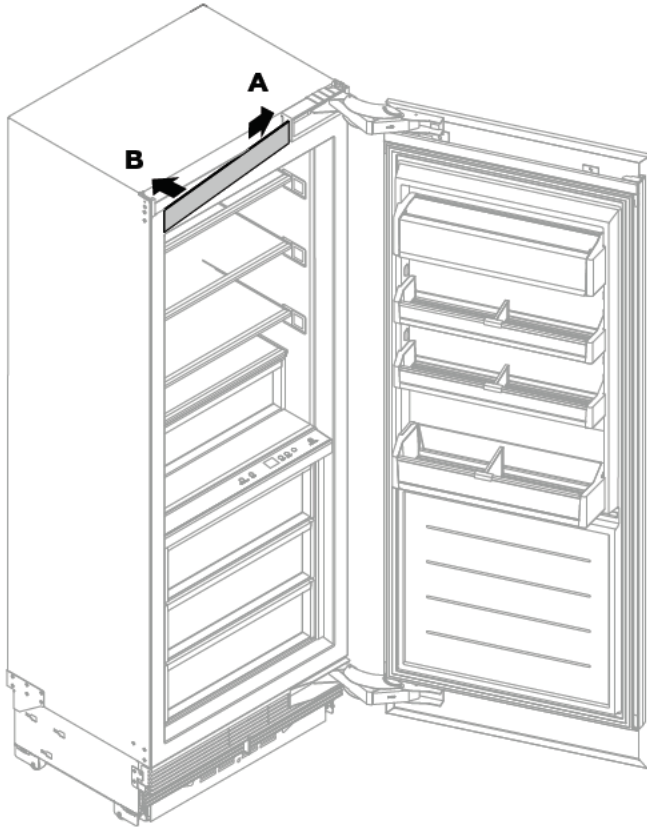
23 INSTALL CABINET TRIMS

Required components/tools:

- 1x Top trim

Install the top trim

- ① Slide the top trim into hinge pocket of the cabinet (**A**), and then engage the dual lock at the non-hinge side (**B**).



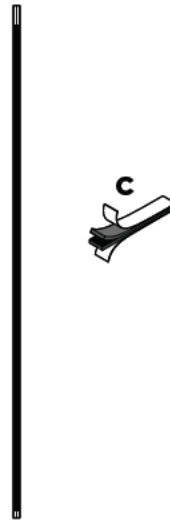
Required components/tools:

- 1x Center trim

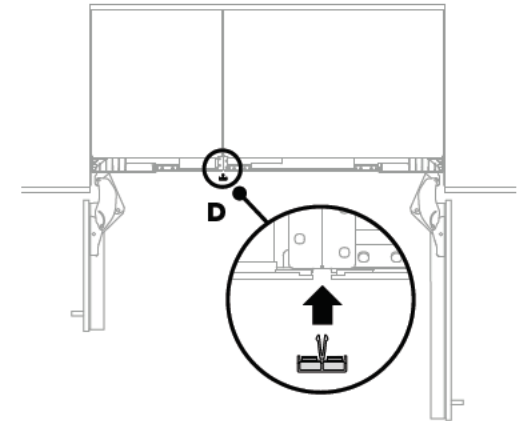
Install the center trims (for dual install only)

Note: Four (4) dual-lock strips are pre-installed along the center trim.

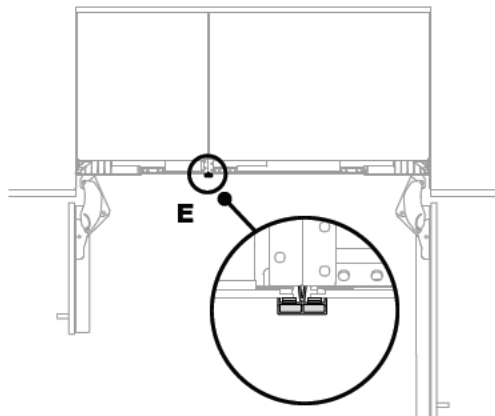
- ① Peel off the liners from the dual-lock strips. (**C**)



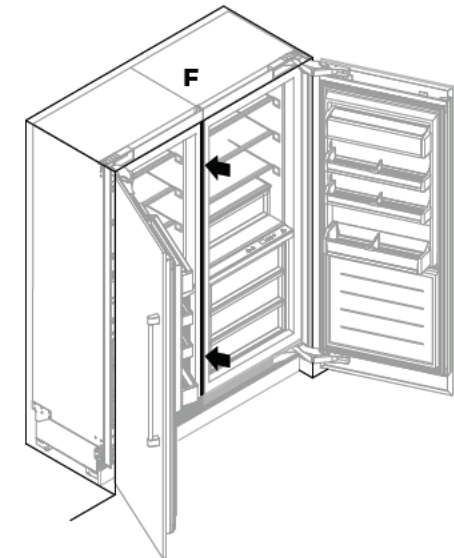
- ② Position the trim between the throats of both cabinets. (**D**)



- ③ Push and press the trim on the appliances/throat (**E**).
Note: Make sure the top end of the trim is pushed up against the alcove ceiling before fixing the position



- ④ Press the center trim to fix the position. (**F**)



IMPORTANT!

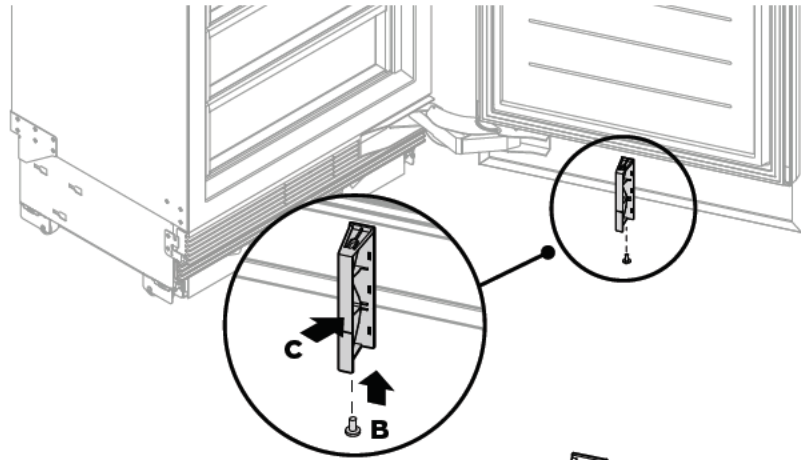
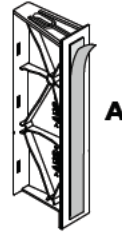
The door flow divider is pre-assembled to the door of the appliance. It blocks the air flow from bypassing in front of the bottom grille.

Required components/tools:

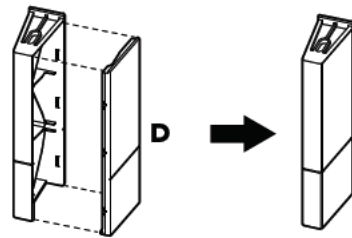
- 1x Door flow divider
- 1x Flow divider cap
- 1x 8Gx16 Countersunk screw
- 2x Trim caps
- Top door panel extrusion
- 2x Door panel side extrusion
- Saw
- File

Install the flow divider

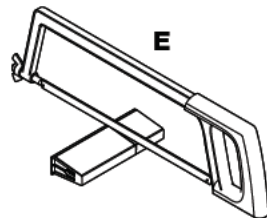
- ① Peel the adhesive layer off the flow divider (A).
- ② Remove the 8Gx16 countersunk screw from the bottom of the door and re-install the flow divider using the same screw. (Do not tighten fully) (B).
- ③ Press the flow divider firmly against the door panel (C). Make sure the adhesive layer contacts the door panel.
- ④ Re-tighten the screw fully.



- ⑤ Attach the flow divider cap to the flow divider (D).

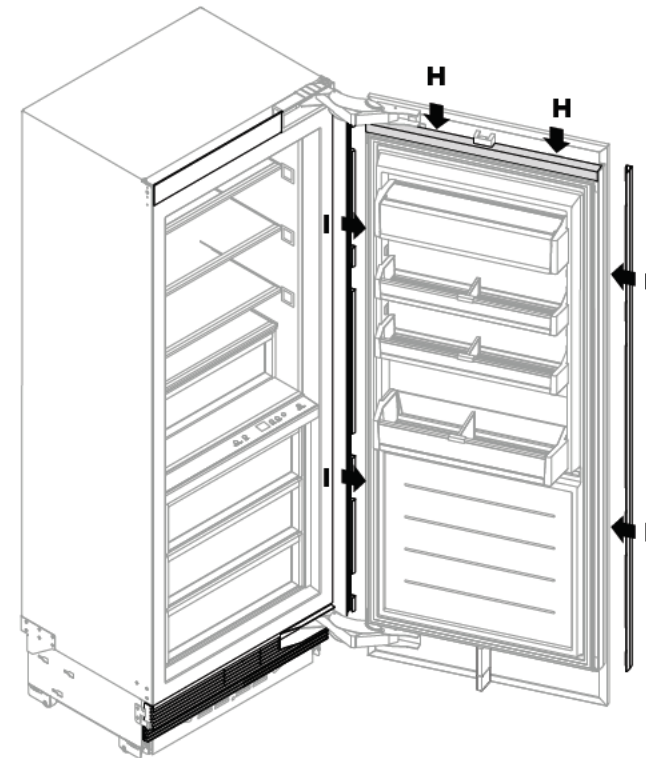
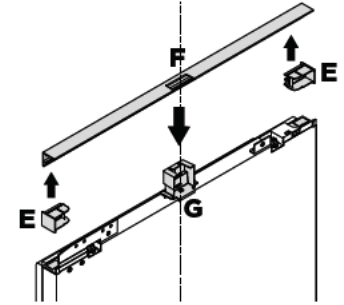


Note: When fitting the air flow divider to the door for a toe kick height greater than 4" (102mm), the divider requires shortening. This is done by cutting along the cutline on both the divider and divider cover (E) before installation to the door. Ensure to file the cut portions of the divider and cover.



Install the door trims

- ① Insert two (2) trim caps (E) into the top door panel extrusion.
- ② Align the notch on the top door panel extrusion (F) with the magnet housing at the top of the door (G) and clip door top trim assembly into the magnet housing.
- ③ Press the top door panel extrusion down into the top of the door (H) so that the dual lock strips engage together.



- ④ Press the door panel side extrusion (I) into the gap between the door and door panel. Align the top of the door panel side extrusion with the top door panel extrusion. Do on each side.

25 OPTIONAL – CHANGING OVER DOOR HINGES

You have the option to change the door hinge side of your appliance from right hand hinge to left hand hinge or vice versa. A hinge change kit is required for this installation.

IMPORTANT!

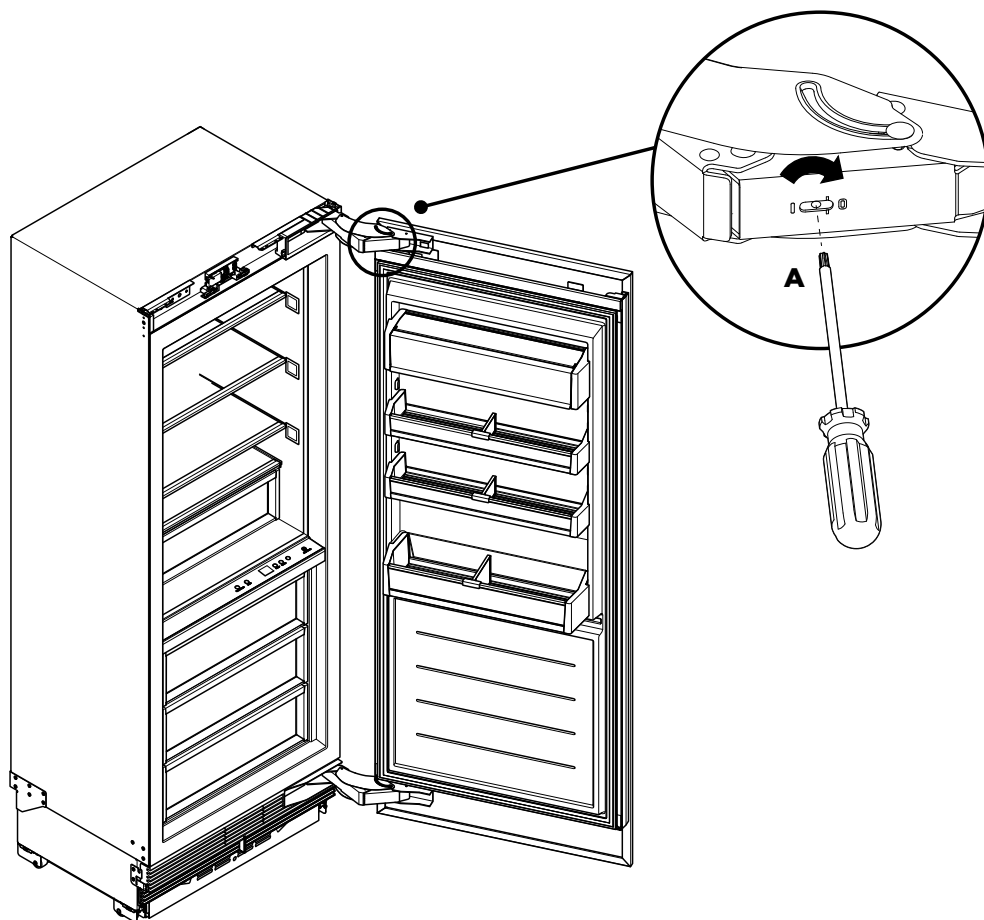
Ensure that you remove all the shelves, covers and trims from the appliance before changing the hinges. Take care not to damage the door. We recommend to lay the appliance (door closed) onto its back on the pallet when removing the door hinges.

Required components/tools:

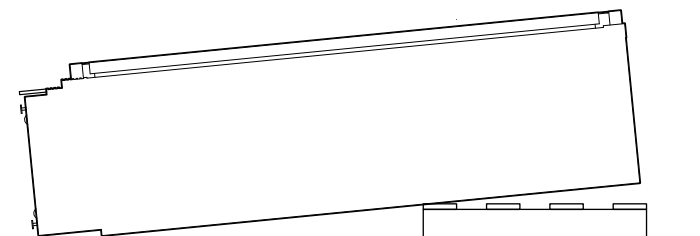
- T20 star screwdriver
- Flat head screwdriver
- M4 Hex key

Removing the door

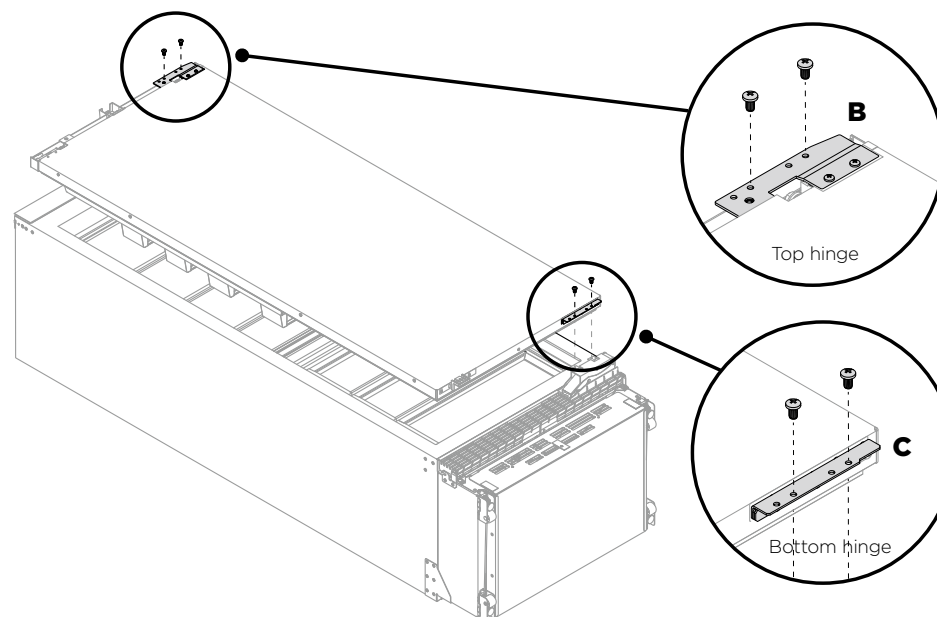
- ① Release the hinge spring by turning the T20 star screws in the hinge to the “0” position (A).



- ② Close the door and lay the appliance on its back on the pallet.



- ③ Detach the door from the appliance by unscrewing the door hinge M6x10 hex screws (4x) at the top (B) and bottom (C) hinges.



Required components/tools:

- T20 star screwdriver
- Flat head screwdriver

Removing the top door hinge

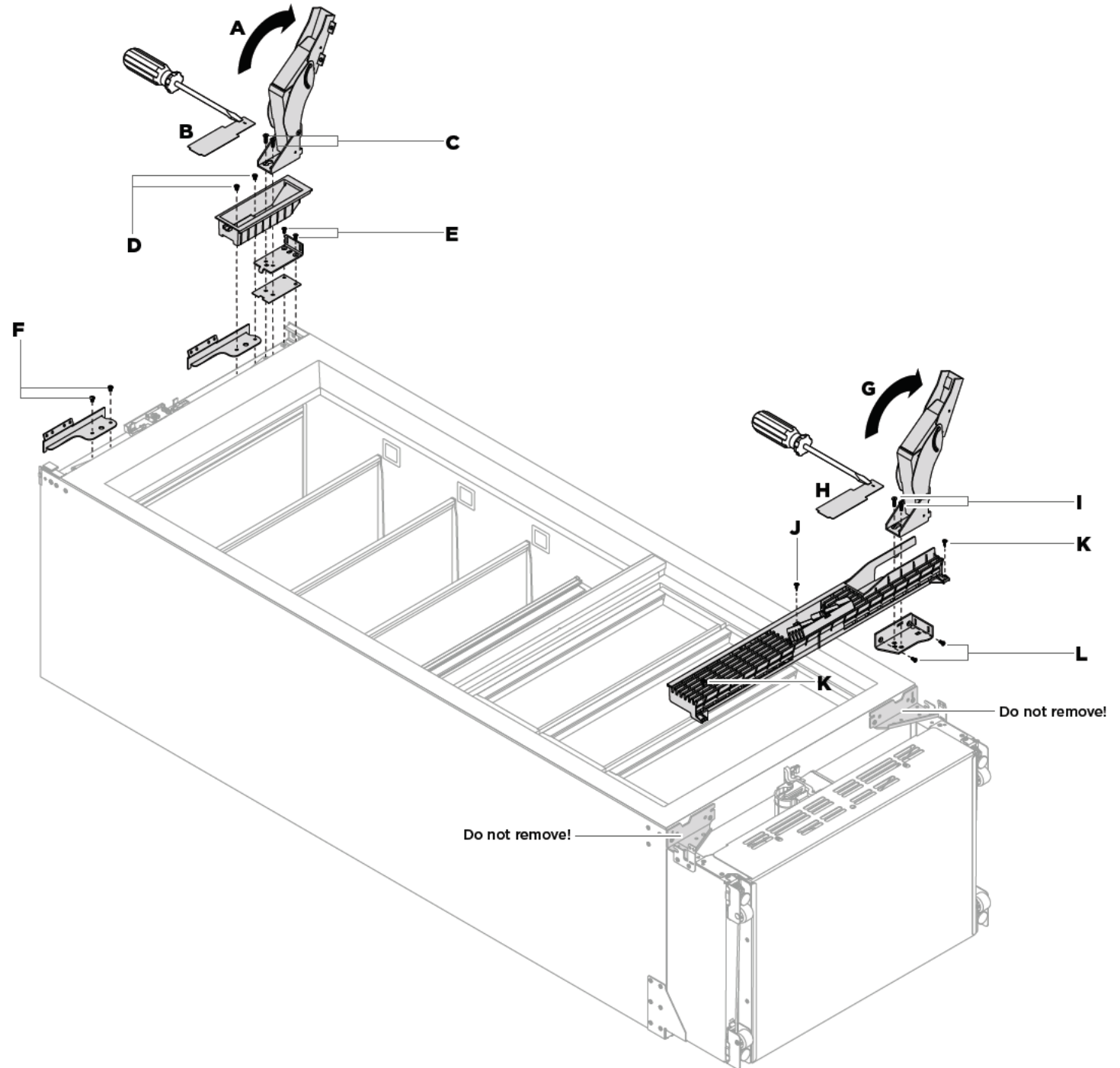
- 1 Rotate the top hinge (**A**) outwards and remove the top hinge pocket cover (**B**) using the flat head screwdriver in the slot of the cover.
- 2 Remove the hinge by unscrewing the M5x12 pan head screws (2x) (**C**), and set aside for later use.
- 3 Remove the hinge pocket and top alcove bracket by unscrewing M5x12 pan head screws (2x) (**D**) from the hinge pocket.
- 4 Remove the top hinge bracket and spacer (**E**) by unscrewing the M5x12 countersunk screws (2x) from the top hinge bracket.
- 5 For the non-hinge side, remove the top alcove bracket by unscrewing the M5x12 pan head screws (2x) (**F**). (Not applicable for RS18).

Removing the bottom door hinge

- 6 Rotate the bottom hinge (**G**) outwards and remove bottom hinge pocket cover (**H**) using a flat head screwdriver in the slot.
- 7 Remove the hinge by unscrewing the M6x16 countersunk screws (2x) (**I**).
- 8 Open the water filter hatch on the bottom (fixed) grille and unscrew the #8x16 screw (**J**) while holding the grille in place.
- 9 Remove the bottom grille by unscrewing the #8x16 screws (**K**) from the bottom left and right of the grille.
- 10 Remove bottom hinge bracket by unscrewing M6x16 countersunk screws (**L**).

IMPORTANT!

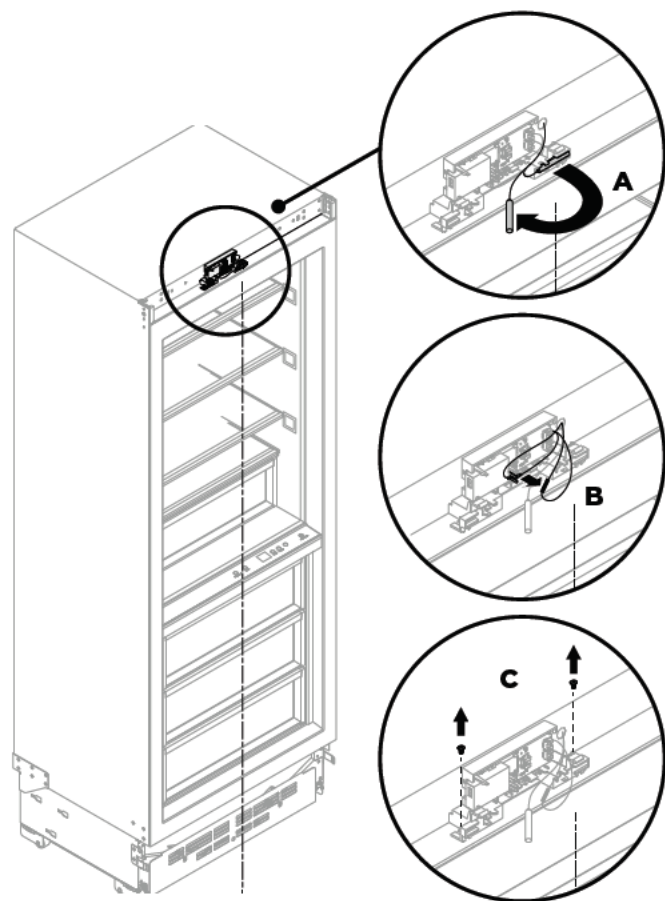
Do not remove plinth-to-cabinet retention brackets!



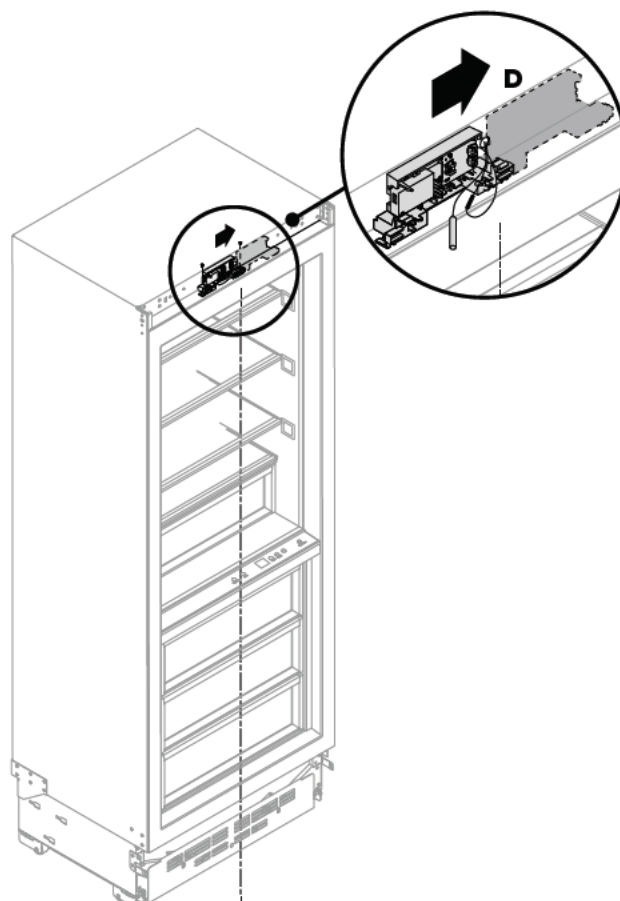
Required components/tools:

- T20 star screwdriver
- Flat head screwdriver

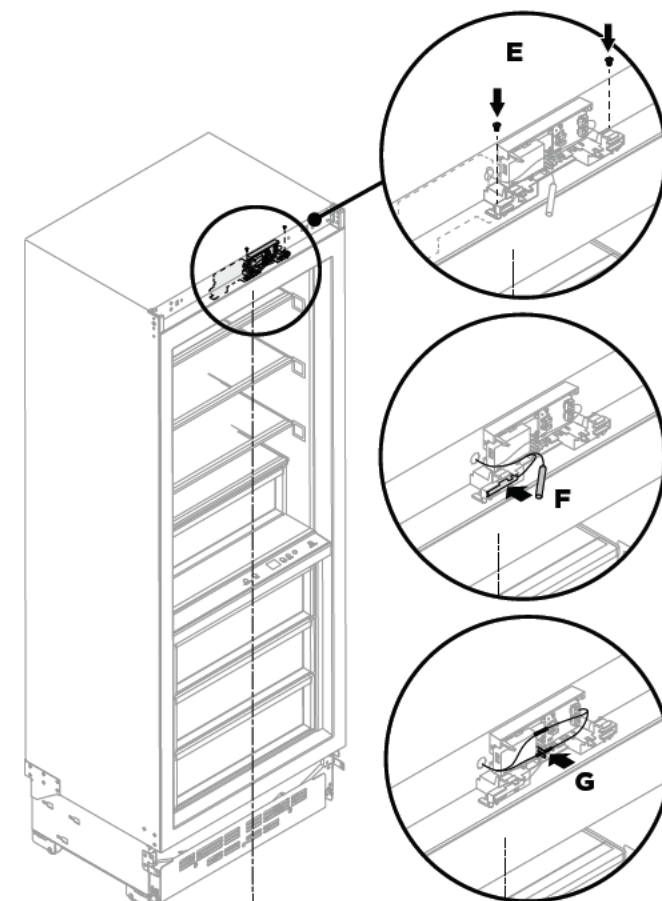
Moving the sensor housing (RS18 & RS24 only)



- 1 Unclip the reed switch from the housing (A).
- 2 Unhook the interceptor board harness from sensor housing so harness is loose (B).
- 3 Remove the #8x16 screws (2x) from the sensor housing (C).



- 4 Move the sensor housing so that the opposite reed switch clip is aligned with the center of the cabinet (D).



- 5 Reinstall the sensor housing using #8x16 screws (2x) into the pre-drilled holes in the cabinet top panel (E).
- 6 Clip the reed switch into the sensor housing in the pocket closest to the centerline of the cabinet (F).
- 7 Press the harness from the interceptor board into the forks on the sensor housing (G).

Required components/tools:

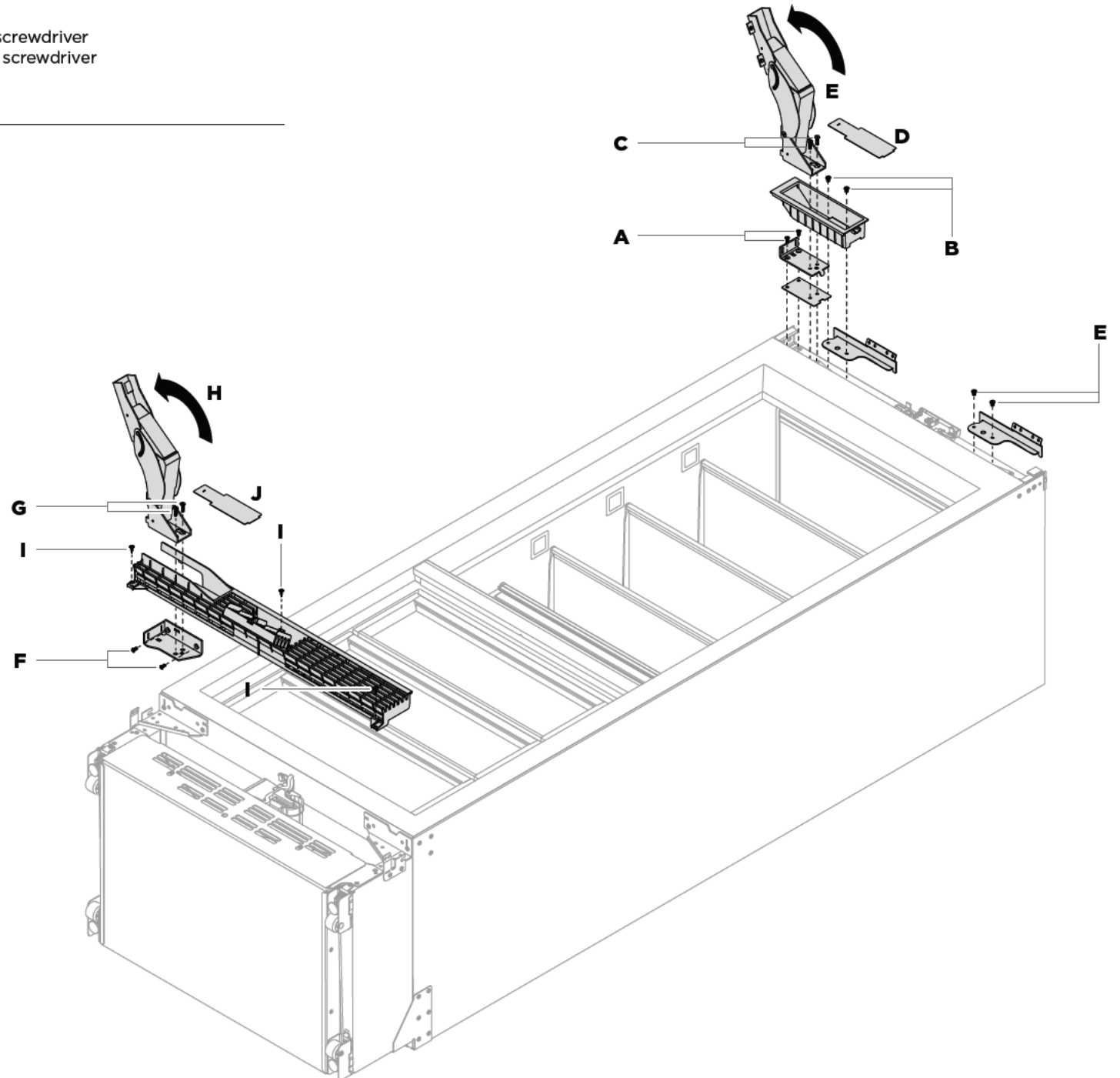
- Left/right hinge change kit (refer to 'Components list')
 - 1x Top (fixed) grille assembly
 - Hinge change assembly
- T20 star screwdriver
- Flat head screwdriver

Top hinge installation

- ① Reinstall the hinge top bracket and bracket spacer with M5x12 countersunk screws (A) on the new hinge side at the other side of the appliance.
- ② Install the new hinge pocket and alcove top bracket on the new hinge side using two (2x) M5x12 pan head screws (B).
Note: The new hinge pocket and alcove top bracket are supplied with the hinge kit.
- ③ Install the new hinge in the new hinge pocket by screwing M5x12 pan head screws (2x) (C). (Not applicable to RS18).
- ④ Open the hinge and reinstall the top hinge pocket cover (D) to the top hinge pocket.
- ⑤ Install a new alcove top bracket on the new non-hinge side. (Not applicable to RS18) (E).

Bottom hinge installation

- ⑥ Install a new lower hinge bracket on the new hinge side with M6x16 screws (2x) (F).
 - Ensure that the tab on the top of the bracket inserts into the slot in the plinth front bracket.
- ⑦ Use the hinge that was removed from the top of the appliance and insert the tabs into the hinge lower bracket. Rotate the hinge into place and fix with M5x12 countersunk screws (2x) (G).
- ⑧ Open the hinge (H), and install the new top (fixed) grille assembly.
- ⑨ Fasten in place with #8x16 screws (3x) (I). One each at the bottom left and right of the grille and one behind the water filter hatch.
- ⑩ Reinstall the bottom hinge pocket cover to the new hinge pocket (J).

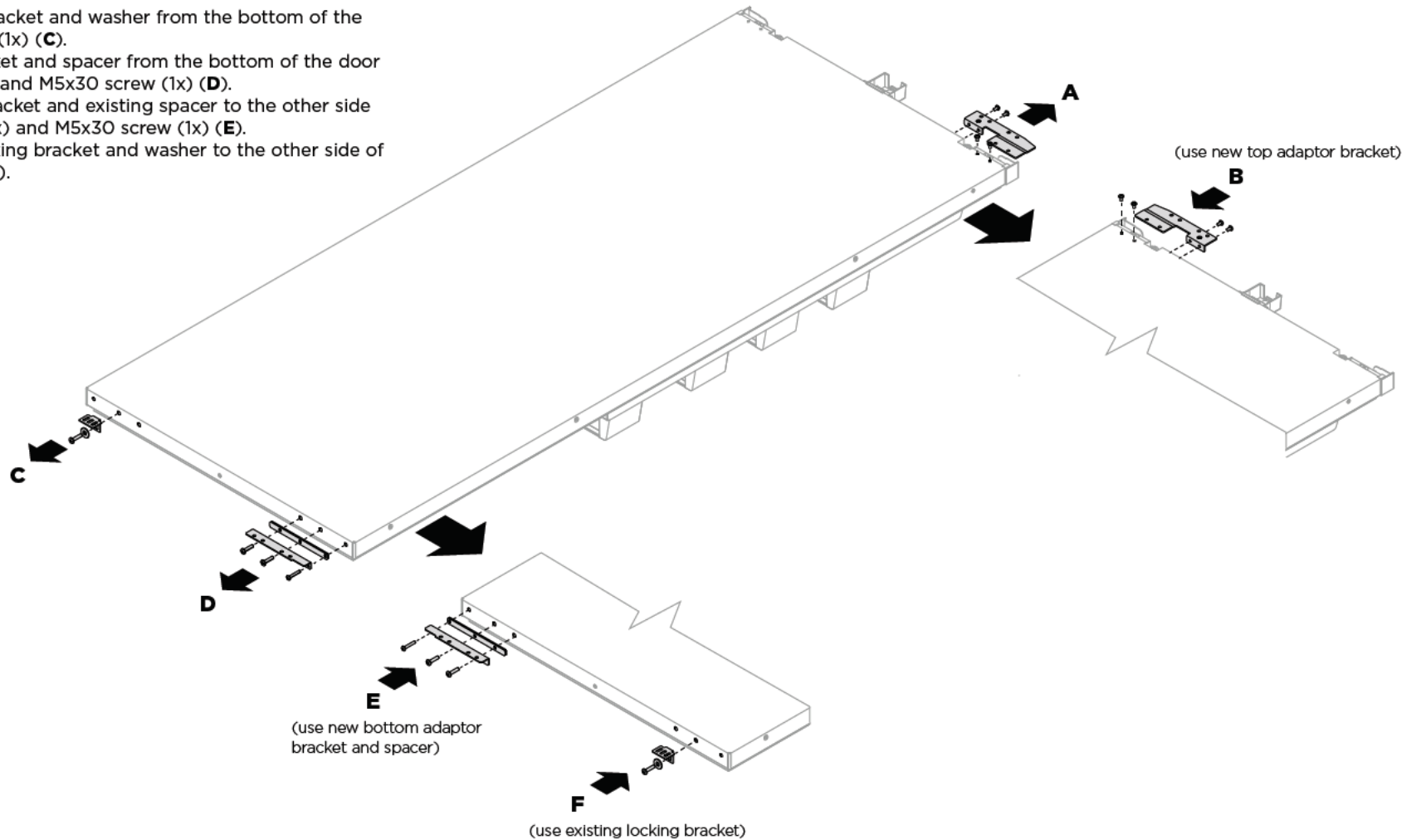


Required components/tools:

- 2x K05 Top adapter bracket
- 2x K05 Bottom adapter bracket
- T20 star screwdriver
- Flat head screwdriver

Door brackets

- ① Remove the top adapter bracket from the top of the door by unscrewing M5x10 screws (4x) (A).
- ② Install the **new** top adapter bracket into the other side of the top of the door with M5x10 screws (4x) (B).
- ③ Remove the door panel locking bracket and washer from the bottom of the door by unscrewing M6x25 screw (1x) (C).
- ④ Remove the bottom adapter bracket and spacer from the bottom of the door by unscrewing M6x25 screws (2x) and M5x30 screw (1x) (D).
- ⑤ Install the **new** bottom adapter bracket and existing spacer to the other side of the door with M6x25 screws (2x) and M5x30 screw (1x) (E).
- ⑥ Install the **existing** door panel locking bracket and washer to the other side of the door with M6x25 screw (1x) (F).



25 OPTIONAL – CHANGING OVER DOOR HINGES

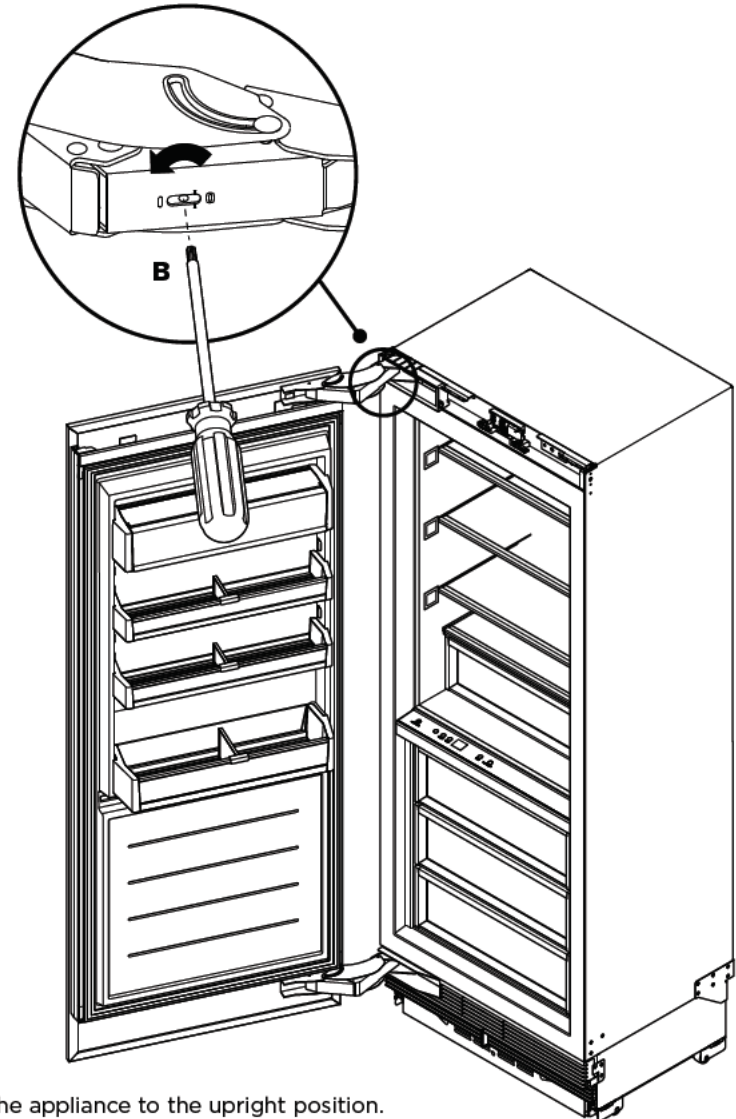
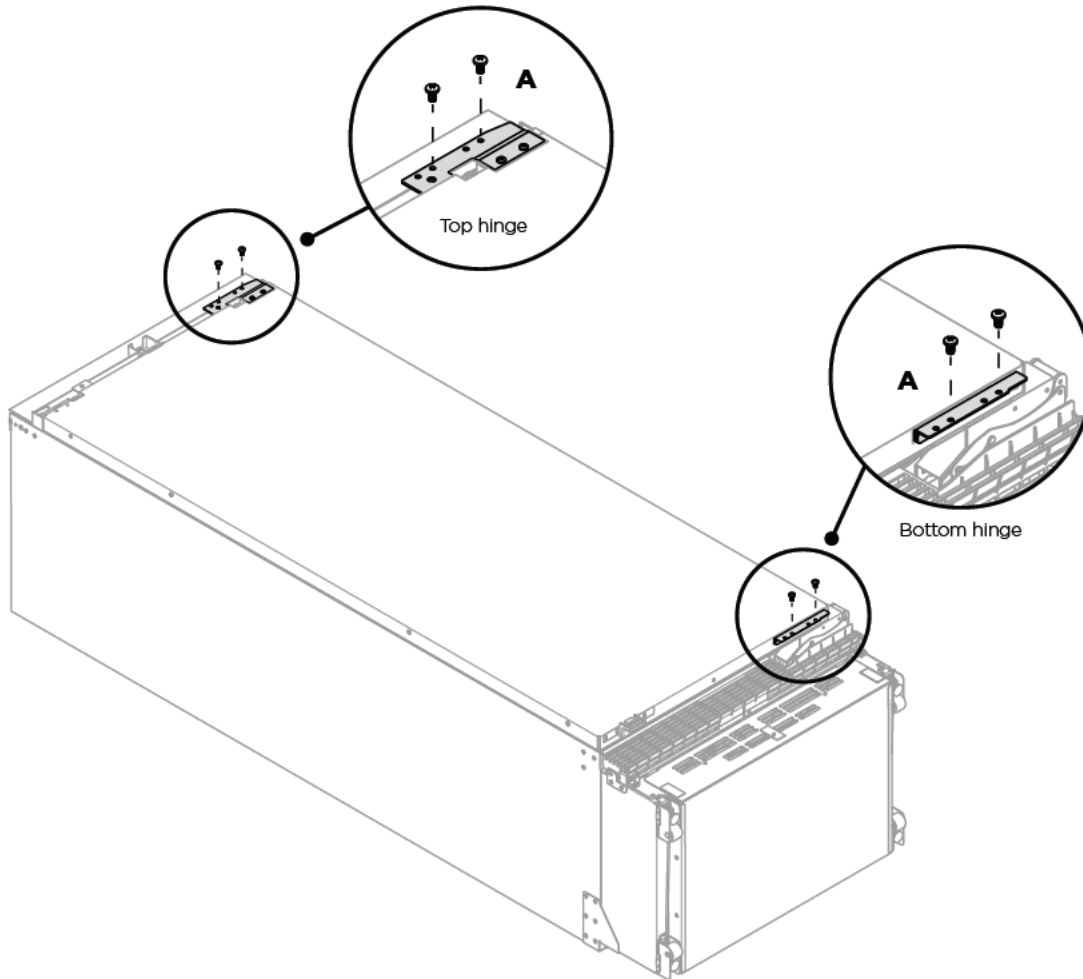
Required components/tools:

- T20 Star screwdriver
- Flat head screwdriver
- Hex driver

Door installation

① Reinstall the door to the appliance by fixing M6x10 hex screws (4x) into the hinges (A).

② Activate the hinge spring by turning the T20 star screws to the “I” position (B).



- ③ Return the appliance to the upright position.
④ Reinstall all covers and trims.

**TO BE COMPLETED BY THE INSTALLER****All models**

- Check all parts are installed.
- Ensure the appliance is level.
- Ensure the appliance is securely fastened to the cabinetry with the supplied anti-tip bracket and fittings.
- Ensure the door/drawer can open and close freely with no resistance from surrounding cabinetry.
- Ensure hinge limiting bolt is fitted for 90° door swing.
- Ensure all internal and external packaging is removed from the appliance before use.

Ice models only

- Ensure the water filtration system has been flushed.
- Ensure a manual ice maker cycle has been forced.

Complete and keep for safe reference:

Model _____

Serial No. _____

Purchase Date _____

Purchaser _____

Dealer Address _____

Installer's Name _____

Installer's Signature _____

Installation Company _____

Installation Date _____

FISHERPAYKEL.COM

© Fisher & Paykel Appliances 2018. All rights reserved.
The product specifications in this booklet apply to the specific products and models described at the date of issue. Under our policy of continuous product improvement, these specifications may change at any time. You should therefore check with your Dealer to ensure this booklet correctly describes the product currently available.