

FISHER & PAYKEL

PRELIMINARY SPECIFICATION GUIDE

LOW CURRENT INDUCTION COOKTOP, 60CM



OVERVIEW

Our Series 5 Low Current Induction Cooktop has the potential to use existing wiring to help support cost effective installation. Enjoy the instant-response, easy to clean and energy efficiency of induction cooking with this compact size cooktop.

MODELS

60cm Low Current Induction Cooktop
CI604CTPB1

SERIES & STYLE

Series 5
Contemporary

FEATURES

- ① With the potential to use existing wiring* this low current induction cooktop supports affordable, cost-effective installations
- ② Compact size perfect for smaller kitchens, with four separate cook zones
- ③ Safe to use – cooktop remains cool to touch until a pot or pan is placed on the surface
- ④ Less heat is wasted during induction cooking as only the cookware is heated, not the cooktop surface
- ⑤ Single glass cooking surface can be easily wiped clean
- ⑥ Immediate heat response and accurate temperature control
- ⑦ Intuitive Touch&Slide temperature controls
- ⑧ Designed to fit raised or flush with the countertop with a sleek black glass finish
- ⑨ PowerBoost activates a very high heat, bringing liquid to boil rapidly

*Specific electrical situations may vary. Please consult with a registered electrician.

FISHER & PAYKEL

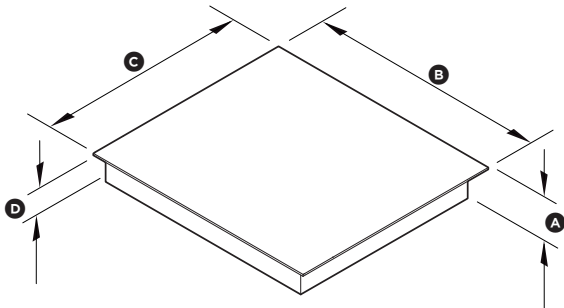
PRELIMINARY SPECIFICATION GUIDE

LOW CURRENT INDUCTION COOKTOP, 60CM

SPECIFICATIONS

Model No.	CI604CTPB1
Dimensions	H 61mm x W 600mm x D 530mm
Electrical	
Supply	230 VAC, 50Hz
Rated Current	19.1 A
Connection	Single-Phase Connection

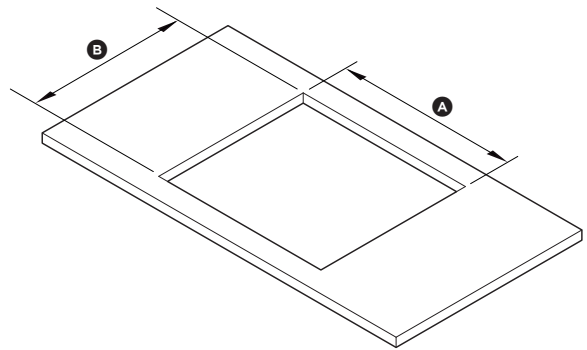
PRODUCT DIMENSIONS



ISO VIEW

		mm
(A)	Overall height	61
(B)	Overall width	600
(C)	Overall depth	530
(D)	Height of chassis	56

ATTACHMENT DIMENSIONS



ISO VIEW

		mm
(A)	Overall width of cutout	560
(B)	Overall depth of cutout	490
Flush Installation		mm
	Height of routed recess	min 6
	Width of routed recess	604
	Depth of routed recess	534