

Integrated Single DishDrawer™ Dishwasher, Sanitise

Series 9 | Integrated

Panel Ready

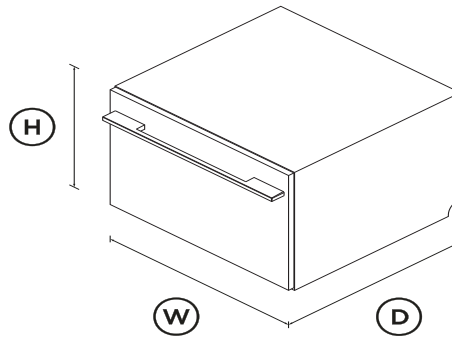


Integrating into your kitchen design seamlessly, each drawer fits a half load that you can load and wash independently.

- Knock to pause function is perfect if you miss a dish
- Six wash programs, as well as additional Quick wash, Sanitise and Extra Dry options
- Customise with your own front panel and handle to match your kitchen cabinetry

DIMENSIONS

| | |
|--------|-------|
| Height | 410mm |
| Width | 599mm |
| Depth | 553mm |



FEATURES & BENEFITS

Ease Of Use

DishDrawer™ Dishwashers are as easy to open and close as kitchen drawers and can be conveniently positioned at bench height for ease of loading and minimal bending.

Quick, Sanitise And Extra Dry Options

The Quick wash modifier delivers a faster wash while maintaining performance. The Sanitise option provides extra protection, killing 99.9% of bacteria in the final rinse. The Extra Dry setting is perfect for plastic dishes.

Knock To Pause

Instead of needing a remote control, these DishDrawer™ Dishwashers have a knock to pause function. A double knock on the front panel will pause the dishwasher which can be re-started again by using the start/play button.

Quiet Performer

Running at a very low decibel rate, these DishDrawer™ Dishwashers do their job without making a fuss. The combination of intelligent technology and simple mechanics means greater reliability and excellent wash performance.

SPECIFICATIONS

Accessories

| | |
|-----------------------------|---|
| Cutlery basket | • |
| Knife clip and multipurpose | • |

Accessories (sold separately)

| | |
|----------------------------------|----------------|
| Door panel black stainless steel | ADDD60SPB |
| Door panel stainless steel | ADDD60SPX |
| Handle kit Contemporary | AHS-OBDD-60S |
| Handle kit Contemporary | AHD5-OBDD-60SX |
| Handle kit Contemporary | AHD5-OBDD-60SB |
| Handle kit Contemporary | AHD3-OBDD-60S |
| Handle kit Contemporary | AHD3-OBDD-60B |

Capacity and loading

| | |
|-----------------------------|-------|
| Accommodates round plates | 280mm |
| Adjustable height, foldable | • |
| Fold down tines | • |
| Pitch adjustable tines | • |
| Place settings | 7 |

Consumption

| | |
|------------------------------|--------------------|
| Water rating | 2 ticks |
| Water usage (per wash cycle) | 1.2L/place setting |

Controls

| | |
|-----------------------------|---|
| Electronic fault/Diagnostic | • |
| End of cycle beeps | • |
| Energy saving delay start | • |
| Internal wash selector | • |
| Keylock | • |
| Knock to pause | • |
| Rinse aid indicator light | • |
| Wi-Fi connectivity | • |

Features

| | |
|------------------------|---|
| Fan assisted drying | • |
| Flow through detergent | • |
| Quiet operation | • |
| SmartDrive™ technology | • |

Performance

| | |
|-----------------|-------|
| Noise emissions | 43dBA |
|-----------------|-------|

Power requirements

| | |
|------------------|------------|
| Amperage | 5A |
| Supply frequency | 50Hz |
| Supply voltage | 220 - 240V |

Product dimensions

| | |
|--------|-------|
| Depth | 553mm |
| Height | 410mm |
| Width | 599mm |

Warranty

| | |
|------------------|---------|
| Parts and labour | 2 years |
|------------------|---------|

Wash Program Modifiers

| | |
|-----------|---|
| Extra Dry | • |
| Quick | • |
| Sanitise | • |

Wash Programs

| | |
|----------|---|
| Delicate | • |
| Eco | • |
| Fast | • |
| Heavy | • |
| Medium | • |
| Rinse | • |

Water connection

| | |
|----------------|---------------------------|
| Water pressure | 30kPa - 1000 kPa |
| Water supply | 3/4" BSP (20mm) Connector |

| | |
|-----|-------|
| SKU | 82369 |
|-----|-------|

The product dimensions and specifications in this page apply to the specific product and model. Under our policy of continuous improvement, these dimensions and specifications may change at any time. You should therefore check with Fisher &

Paykel's Customer Care Centre to ensure this page correctly describes the model currently available. Fisher & Paykel Appliances Ltd 2020

Where applicable:

All appliances use energy, and energy usage typically generates carbon emissions. **Fisher & Paykel Appliances' In-use Energy Carbon Emissions Estimate** indicates carbon emissions from a product's in-use energy. This is calculated either annually or per cycle, using the product's market-specific energy label energy consumption data multiplied by the carbon emissions factor for energy in your country or region.

Our In-use Energy Carbon Emissions Estimate is designed to assist customers in making informed purchasing decisions when comparing different Fisher & Paykel products. For example, a heat pump dryer typically has a lower In-use Energy Carbon Emissions Estimate than a vented dryer.

Other product downloads available at fisherpaykel.com



Service & Warranty



User Guide Integrated DishDrawer™ Dishwasher



User Guide DishDrawer™ Dishwasher



Quick Start Guide



Installation Guide Single DishDrawer™ Dishwasher



Specification Guide Single DishDrawer™ Dishwasher



Data Sheet Integrated Single DishDrawer™ Dishwasher



A PEACE OF MIND SALE

24 Hours 7 Days a Week Customer Support

T +65 6741 0777 W www.fisherpaykel.com