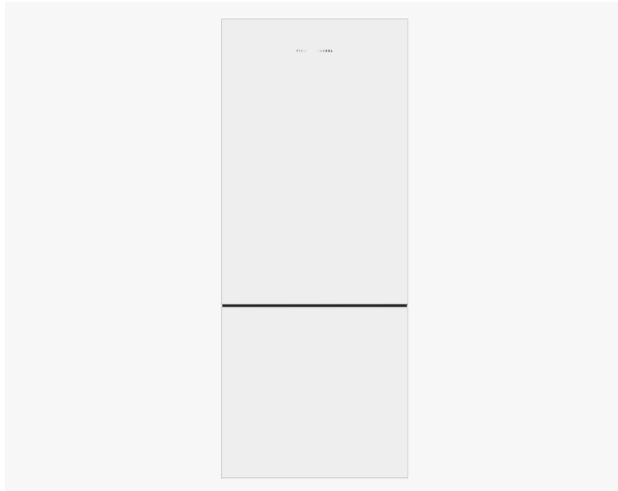


Freestanding Refrigerator Freezer, 68cm, 413L

Series 5 | Contemporary

White | Right Hinge

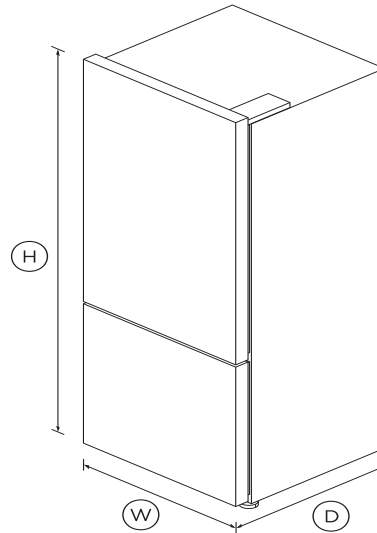


With Contemporary styling and generous, flexible storage for all your chilled and frozen foods.

- ActiveSmart™ technology helps keep food fresher for longer by constantly maintaining the ideal temperature.
- Spacious bottom freezer with easy-slide internal drawers to separate storage

DIMENSIONS

Height	1720mm
Width	680mm
Depth	695mm



SPECIFICATIONS

Capacity	
Volume	413L
Volume freezer	119L
Volume refrigerator	294L
Consumption	
Energy rating	3 star
Energy usage	428kWh/year

Features

Adjustable door shelves	4
Adjustable glass shelves	4
Covered door shelves	2
Door alarm	•
Front levelling feet	•
Fruit and vegetable bins	2
LED lighting	•
Rear rollers	•
Single bottle holders	2
SmartTouch control panel	•

Freezer Features

Bottle chill	•
Door alarm	•
Fast freeze	•
Ice trays	2
Large plastic bins	•
Slide Out Pastry Tray	•
Small plastic bins	•

Performance

ActiveSmart™ Foodcare	•
Adaptive defrost	•
Frost free freezer	•
Humidity control system	•
Inverter controlled compressor	•
R600a refrigerant	•

Product dimensions

Depth	695mm
Height	1720mm
Height to top of cabinet	1698mm
Height to top of door	1720mm
Width	680mm

Warranty

Parts and labour	2 years
------------------	----------------

SKU	26377
-----	-------

Other product downloads available at fisherpaykel.com[Service & Warranty](#)[User & Installation Guide ActiveSmart Refrigerator](#)[Data Sheet Freestanding Refrigerator Freezer](#)**A PEACE OF MIND SALE****24 Hours 7 Days a Week Customer Support****T 1300 650 590 W www.fisherpaykel.com**

The product dimensions and specifications in this page apply to the specific product and model. Under our policy of continuous improvement, these dimensions and specifications may change at any time. You should therefore check with Fisher & Paykel's Customer Care Centre to ensure this page correctly describes the model currently available. ? Fisher & Paykel Appliances Ltd 2020