

Dual Fuel Range, 48", 5 Burners with Griddle, Self-cleaning

Series 9 | Professional

Stainless Steel | LPG



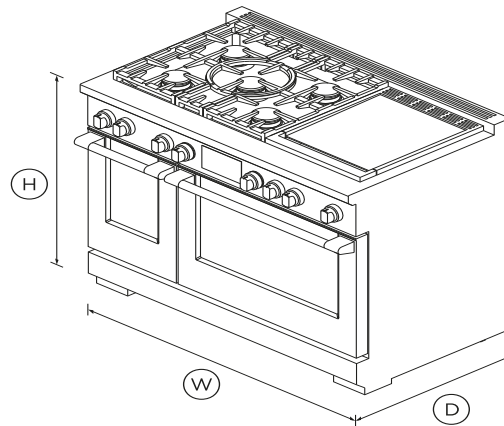
With intuitive touchscreen and specialized cooking functions across two ovens, this range is a stand-out addition to your kitchen.

- Guided cooking using your touchscreen makes it simple to cook by food, function or recipe.
- Gas cooktop with griddle and a top burner heat up to 23,500 BTU, for seriously fast boiling
- 6.9 cu ft total oven capacity across two oven cavities

- Ensure perfect results with the food probe, included

DIMENSIONS

Height	35 ³ / ₄ - 36 ³ / ₄ "
Width	47 ⁷ / ₈ "
Depth	29 ¹ / ₈ "



FEATURES & BENEFITS

Cook with confidence

Our touchscreen interface provides an intuitive guided cooking experience that helps deliver perfect results, whether you've been cooking all your life or just starting out. Cook with a favorite method, a hero ingredient, or a go-to cooking function or recipe. The screen tilts for improved ergonomics and optimal visibility while cooking.

Generous capacity

Two independently operating cavities provide a large total capacity of 4.8 cu. ft. in the main cavity and 2.1 cu. ft. in the secondary. That's enough room for a 32 lb turkey in one oven, and your sides in the other.

Cooking flexibility

No matter what you're cooking, you've got the right heat to get perfect results. Each of the 15 oven functions in the main cavity and 11 in the secondary have been extensively researched and carefully designed to cater to a broad range of dishes and cooking styles. The handy food probe helps you monitor your progress.

Cooktop power

Sealed dual flow burners deliver cooktop power up to 23,500 BTU for seriously fast boiling, and precise 140°F full surface, low temperature cooking with the gentlest of flames.

Design quality

This range has craftsmanship in every detail, with real stainless steel, cast-iron trivets, and beautifully weighted, halo illuminated dials. Each cavity features incandescent lights and full extension telescopic racks. From the robust legs to the powerful cooktop, this Range is built to last.

Easy to clean

The oven features a self-cleaning function and self-clean proof side racks, which don't need to be removed when using this function.

SPECIFICATIONS

Accessories

Square handle option **AH-R48**

Capacity

Total capacity **4.8 + 2.1 cu ft**

Cleaning

- Pyrolytic self-clean •

Controls

- High resolution display •
- Sabbath mode •

Gas requirements

- Fitting and pipe **½ NPT, min. ⅝" Ø flex line**
- Supply Pressure (LPG) **11" to 14" W.C**

Oven features

- Concealed element •
- Electronic oven control •
- Full extension telescopic **2**
- Internal light •
- Pyrolytic self-clean •

Oven functions

- Pyrolytic self-clean •

Oven performance

- Main Oven Shelf Positions **5**
- Main Oven Usable Capacity **3.8cu ft**

Power requirements

- Supply frequency **60Hz**
- Supply voltage **120 - 240W**

Product dimensions

- Depth **29 1/8 "**
- Height **35 3/4 - 36 3/4 "**
- Width **47 7/8 "**

Rangetop features

- Sealed Dual Flow Burners™ **5**
- Sealed range top •
- Simmer on all burners **140°F**
- Vent trim included **Flat vent trim**

Rangetop Performance

- Centre **23500BTU**
- Left front zone rating **18500BTU**
- Left rear zone rating **18500BTU**
- Max burner power **23500BTU**
- Power back left **11500BTU**
- Power back right **11500BTU**
- Power centre **19000BTU**
- Power front left **15000BTU**
- Power front right **15000BTU**
- Power griddle **24000BTU**
- Right front zone rating **18500BTU**
- Right rear zone rating **18500BTU**
- Total cooktop power **121500BTU**

Warranty

- Parts and labor **2 years**

SKU

81894

TEST The product dimensions and specifications in this page apply to the specific product and model. Under our policy of continuous improvement, these dimensions and specifications may change at any time. You should therefore check with Fisher & Paykel's Customer Care Centre to ensure this page correctly describes the model currently available. ? Fisher & Paykel Appliances Ltd 2020

Other product downloads available at fisherpaykel.com



User Guide



Service & Warranty Booklet



Installation Guide



A PEACE OF MIND SALE

24 Hours 7 Days a Week Customer Support

T 1.888.936.7872 **W**www.fisherpaykel.com