

Front Loader Washing Machine, 10kg

Series 7 | Front Load

White

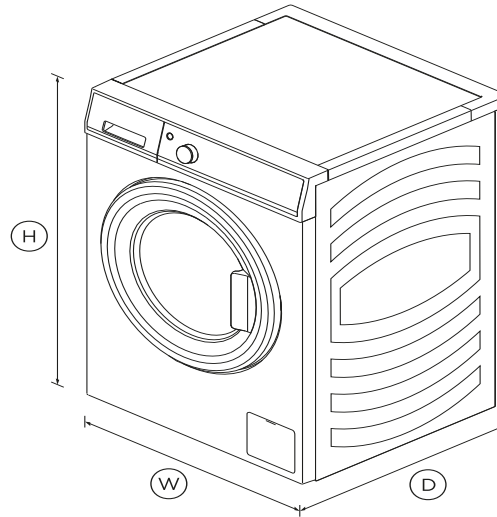


With plenty of room for large loads, and 13 wash cycles including Handwash, this front loader caters to every type of load.

- 13 wash cycles including Allergy, Easy Iron and Handwash
- Caters for busy lives with a 15 minute Super Quick cycle
- Add a Garment function allows you to add items mid cycle
- 4 star water and energy rating

DIMENSIONS

Height	850mm
Width	600mm
Depth	665mm



FEATURES & BENEFITS

Add a garment

Add a Garment allows you to pause your wash cycle, add or remove any sized item, then carry on washing.

Smartdrive™ Technology

SmartDrive™ technology is a gentle, quiet, and efficient combination of smart electronics and a direct drive motor that senses the load, to deliver better fabric care.

Quiet operation

Clever side paneling and engineered feet keep noise and vibration to a minimum - ideal for compact living spaces.

Easy clean dispenser

Clearly labelled compartments make it easy to see where to put washing powder and softener. It is cleverly shaped to minimise spills and is easy to remove and clean.

Water and energy efficient

With a 4 star water rating and 4 star energy rating, our 10kg washing machine handles large loads whilst keeping water and power usage to a minimum.

The perfect pair

This washing machine and our 8kg Condensing Dryer will clean, dry and beautifully care for clothes, while looking great together in your laundry.

SPECIFICATIONS

Accessories (sold separately)

Stacking kit	Part 428159
--------------	-------------

Consumption

Water rating	4 star (WELS)
--------------	---------------

Features

- Add a garment (immediate)
- Anti-fungal door gasket
- Auto out of balance correction
- Automatic water level
- Child/Keylock
- Choice of cold only or hot and
- Delay start
- Eco rinse
- Extra rinse option
- Flood protection
- Pre Wash

Progress indicator	•	Delicate	•
SmartTouch™ control dial	•	Drum Clean	•
Soil levels	3	Easy Iron	•
Spin speeds	4	Everyday	•
Stainless steel drum	•	Handwash	•
Timed liquid detergent	•	Heavy	•
Water supply	Hot & Cold	Number of wash cycles	13
Water temperature controls	5	Quick 30	•
Wrinkle Free	•	Rinse	•
		Spin	•
		Super Quick	•

Performance

Maximum spin speed	1200rpm
Number of spin speeds	4
SmartDrive™ technology	•
Vortex Wash	•

Product dimensions

Depth	665mm
Height	850mm
Width	600mm

Warranty

Parts and labour	2 years
Parts only SmartDrive™ Motor	10 years

Wash Cycles

Allergy	•
Bulky	•
Cottons	•
Customise cycle	•

SKU 93268

The product dimensions and specifications in this page apply to the specific product and model. Under our policy of continuous improvement, these dimensions and specifications may change at any time. You should therefore check with Fisher & Paykel's Customer Care Centre to ensure this page correctly describes the model currently available. ? Fisher & Paykel Appliances Ltd 2020

Other product downloads available at fisherpaykel.com

[↓](#) Service & Warranty



A PEACE OF MIND SALE

24 Hours 7 Days a Week Customer Support

T +65 6741 0777 **Wwww.fisherpaykel.com**