

Integrated Single DishDrawer™ Dishwasher, Tall, Sanitise

Series 11 | Integrated

Panel Ready

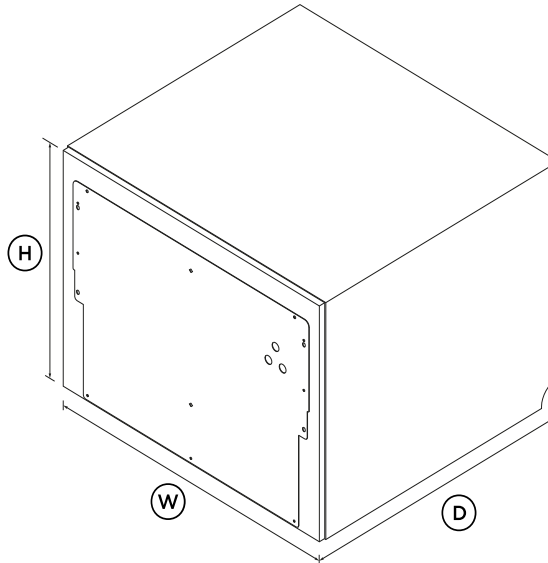


Place anywhere in your kitchen at bench height for easy loading and seamless integration. Features a premium stainless steel interior.

- Eight wash cycles from Heavy to Light, including Auto, 60min and Glassware
- Fits plates up to 310mm, with flexible racking to accommodate other large cookware
- With soft-close drawers, and knock to pause convenience
- Wi-Fi capability and a SmartHQ™ app for remote control and notifications

DIMENSIONS

| | |
|--------|-------|
| Height | 454mm |
| Width | 599mm |
| Depth | 553mm |



FEATURES & BENEFITS

Seamless Integration

With the flexibility of ergonomic placement and function, single DishDrawer™ Dishwashers can be distributed throughout the kitchen to support patterns of use. The touch-sensitive control panel is located inside this Integrated model, leaving an uninterrupted exterior that blends seamlessly with surrounding cabinetry.

Ease of use

DishDrawer™ Dishwashers are beautiful to use with soft-close drawers, and can be conveniently positioned at bench height for ease of loading and minimal bending. Flexible racking includes height-adjustable cup racks and wine glass supports.

Flexible wash options

Eight wash programs including Auto, 60min and Glassware, while modifiers such as Sanitise, Extra Dry and Quiet provide added wash flexibility. The Quiet wash modifier reduces the noise on some cycles while maintaining performance – perfect for late night washing.

Design Quality

Every detail has been carefully crafted using quality materials, from the easy-to-clean stainless steel interior to the spray arm sensor that detects jams for increased wash confidence.

Knock To Pause

For ease-of-use, these DishDrawer™ Dishwashers have a knock to pause function. A knock on the front panel will pause the dishwasher, which can be restarted by using the start button.

Quiet Performer

Running at a low decibel rating of 43dBA, these DishDrawer™ Dishwashers do their job without making a fuss. The combination of intelligent technology and simple mechanics means greater reliability and excellent wash performance.

SPECIFICATIONS

Accessories

- Cutlery basket
- Knife clip and multipurpose

Accessories (sold separately)

| | |
|----------------------------------|--------------|
| Door panel black stainless steel | ADDD60STPB |
| Door panel stainless steel | ADDD60STPX |
| Handle kit Contemporary | AHS-OBDD-60S |

| | |
|-------------------------------|-----------------------|
| Handle kit Contemporary | AHD5-OBDD-60SX |
| Handle kit Contemporary | AHD5-OBDD-60SB |
| Handle kit Contemporary | AHD3-OBDD-60S |
| Handle kit Contemporary | AHD3-OBDD-60B |
| Handle kit Professional round | AHP3-DWDD-60S |

Capacity and loading

| | |
|-----------------------------|--------------|
| Accommodates round plates | 310mm |
| Adjustable height, foldable | • |
| Fold down tines | • |
| Pitch adjustable tines | • |
| Place settings | 7 |
| Wine glass supports with | • |

Consumption

| | |
|------------------------------|------------------------|
| Energy rating | 3.5 star |
| Energy usage | 137kWh/year |
| In-use energy carbon | 18.5kgCO2e/year |
| Water consumption (per wash) | 5.7L |
| Water efficiency | 5.5 star (WELS) |

Controls

| | |
|-----------------------------|---|
| Electronic fault/Diagnostic | • |
| End of cycle beeps | • |
| Energy saving delay start | • |
| Internal wash selector | • |
| Intuitive capacitive touch | • |
| Keylock | • |
| Knock to pause | • |
| Rinse aid indicator light | • |

| | |
|--------------------|---|
| Spray arm sensing | • |
| Wi-Fi connectivity | • |

Features

| | |
|------------------------|------------------------|
| Fan assisted drying | • |
| Flood protection | • |
| Flow through detergent | • |
| Internal tub material | Stainless steel |
| Quiet operation | • |
| SmartDrive™ technology | • |
| Soft close drawer | • |

Performance

| | |
|-----------------|--------------|
| Noise emissions | 43dBA |
|-----------------|--------------|

Power requirements

| | |
|------------------|-------------------|
| Amperage | 5A |
| Supply frequency | 50Hz |
| Supply voltage | 220 - 240V |

Product dimensions

| | |
|--------|--------------|
| Depth | 553mm |
| Height | 454mm |
| Width | 599mm |

Warranty

| | |
|------------------|----------------|
| Parts and labour | 2 years |
|------------------|----------------|

Wash Program Modifiers

| | |
|-------|---|
| Dry + | • |
|-------|---|

| | |
|----------------|----------|
| Quiet | • |
| Sanitise | • |
| Wash modifiers | 3 |

Wash Programs

| | |
|---------------|----------|
| 60 min | • |
| Auto | • |
| Eco | • |
| Glassware | • |
| Heavy | • |
| Light | • |
| Medium | • |
| Rinse | • |
| Wash programs | 8 |

Water connection

| | |
|----------------|----------------------------------|
| Water pressure | 30kPa - 1000 kPa |
| Water supply | 3/4" BSP (20mm) Connector |

| | |
|-----|-------|
| SKU | 82182 |
|-----|-------|

The product dimensions and specifications in this page apply to the specific product and model. Under our policy of continuous improvement, these dimensions and specifications may change at any time. You should therefore check with Fisher & Paykel's Customer Care Centre to ensure this page correctly describes the model currently available. Fisher & Paykel Appliances Ltd 2020

Where applicable:

All appliances use energy, and energy usage typically generates carbon emissions. **Fisher & Paykel Appliances' In-use Energy Carbon Emissions Estimate** indicates carbon emissions from a product's in-use energy. This is calculated either annually

or per cycle, using the product's market-specific energy label energy consumption data multiplied by the carbon emissions factor for energy in your country or region.

Our In-use Energy Carbon Emissions Estimate is designed to assist customers in making informed purchasing decisions when comparing different Fisher & Paykel products. For example, a heat pump dryer typically has a lower In-use Energy Carbon Emissions Estimate than a vented dryer.



A PEACE OF MIND SALE

24 Hours 7 Days a Week Customer Support

T 0800 372 273 W www.fisherpaykel.com