

# FISHER & PAYKEL

## SPECIFICATION GUIDE

## DUAL FUEL RANGE, 36"



### OVERVIEW

Elevate any kitchen design with the Dual Fuel Range, 36". This range offers an intuitive, high-resolution touch display, six-burner gas rangetop, an electronic oven with generous capacity and comprehensive cooking functions to deliver perfect results. Power and style combined beautifully.

### MODELS

#### Dual Fuel Range, 36", 6 Burners

RDV3-366-N

#### Dual Fuel Range, 36", 6 Burners, LPG

RDV3-366-L

### SERIES & STYLE

Series 9

Professional

### FEATURES

- ① Stainless steel
- ② High-resolution, user-friendly touch display
- ③ Metal illuminated dials
- ④ Electronic oven control
- ⑤ Perfect results from 15 oven functions
- ⑥ Guided cooking by food type and recipes
- ⑦ 4.8 cu ft-capacity oven
- ⑧ Self-cleaning oven with pyrolytic ladders
- ⑨ Sealed Dual Flow Burners™
- ⑩ Dishwasher-proof, cast-iron trivets

### ACCESSORIES

- ① Food probe
- ② Broil pan
- ③ Broil rack
- ④ Full-extension telescopic racks

# FISHER & PAYKEL

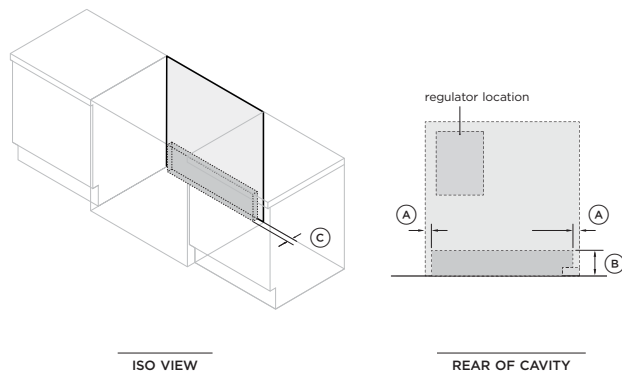
## SPECIFICATION GUIDE

## DUAL FUEL RANGE, 36"

### SPECIFICATIONS

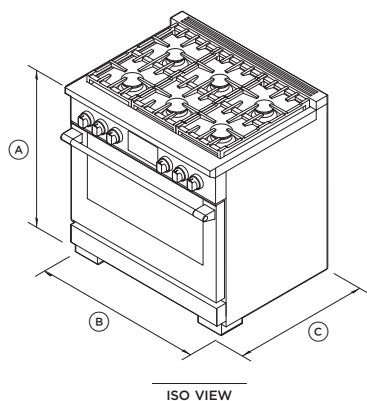
<b>Model No.</b>	RDV3-366-N, RDV3-366-L
<b>Dimensions</b>	H 35 3/4 - 36 3/4" (908-933mm) x W 35 7/8" (911mm) x D 29 1/8" (740mm)
<b>Product weight</b>	440lb (200Kg)
<b>Total oven capacity</b>	4.8 cu ft (136L)
<b>Door Clearance</b>	19 1/8" (486mm)
<b>Electrical</b>	
<b>Supply</b>	120/240VAC, 60Hz
<b>Service</b>	30-amp circuit
<b>Receptacle</b>	4-prong grounding type (NEMA 14-50 plug)
<b>Max. current draw</b>	29A
<b>Gas</b>	
<b>Types</b>	Natural Gas 6" to 9" W.C.P. LP Propane 11" to 14" W.C.
<b>Connection</b>	1/2" NPT Minimum 5/8" dia. flex line

### SUPPLY AREA DIMENSIONS



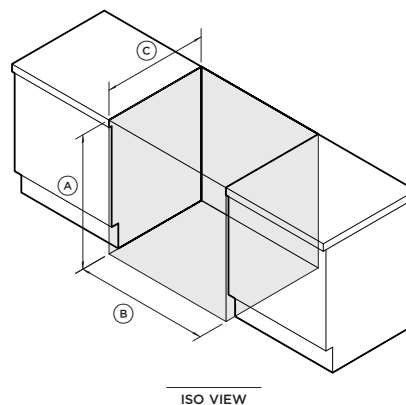
		in	mm
(A)	Distance from either edge of range to supply area	1 1/2	38
(B)	Height of gas and electrical supply areas (from floor)	6	152
(C)	Depth of supply areas (ie maximum protrusion of gas connection from wall)	2	51

### PRODUCT DIMENSIONS



		in	mm
(A)	Overall height (from floor to cooktop, excl. grates and vent trim)	min 35 3/4 max 36 3/4	min 908 max 933
(B)	Overall width	35 7/8	911
(C)	Depth from front of range to rear (incl. vent trim, excl. dials and handle)	29 1/8	740

### CAVITY DIMENSIONS: STANDARD INSTALLATION



		in	mm
(A)	Overall height of cavity* • for level counter • with range levelling legs fully extended	35 3/4 36 3/4	908 933
(B)	Overall width of cavity	36	914
(C)	Maximum depth of cavity • projecting control panel • flush control panel	25 3/8 27 11/16	644 703

\*Depending on height of range.