

# 17.1 cu ft Series 5 Refrigerator Freezer, Ice & Water

Contemporary



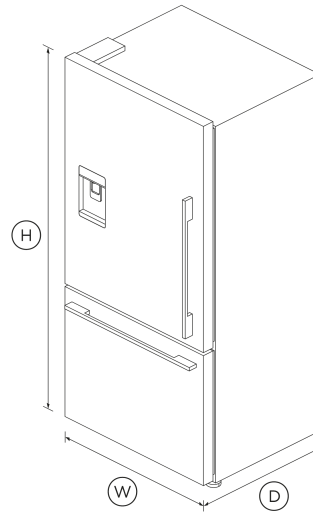
This stylish left hinge refrigerator has a large capacity and comes in timeless stainless steel.

- Bottom freezer drawer
- ActiveSmart™ helps keep food fresher for longer
- Brushed metal handles

## DIMENSIONS

Height 67 3/4 "

Width 31 1/8 "  
Depth 27 3/8 "



## SPECIFICATIONS

### Accessories (sold separately)

Joiner Kit	819264
Surround Kit (Joined left/right pair)	Part number 24476
Surround Kit (Right Hand)	Part number 24475
Water filter replacement	847200 - FWC3

### Capacity

Total gross capacity	17.1 cu ft
Volume freezer	4.8 cu ft

Volume refrigerator 12.3 cu ft

### Connected Features

- Alerts and notifications
- Education and onboarding
- Remote operation
- Software updates

### Consumption

Energy rating	Energy Star
Energy usage	535kWh/year
In-use energy carbon emissions estimate	61.7kgCO2e/year

### Features

Adjustable door shelves	14
Adjustable glass shelves	4
Covered door shelves	2
Door alarm	•
Fruit and vegetable bins	2
LED lighting	•
Smart appliance	•
SmartTouch control panel	•
Stackable bottle holders	2
Ultra slim water dispenser	•
Water Filter	Model number 836848

### Freezer Features

- Automatic ice maker
- Bottle chill
- Fast freeze
- Ice bin and scoop
- Ice Boost
- Large plastic bins

The product dimensions and specifications in this page apply to the specific product and model. Under our policy of continuous improvement, these dimensions and specifications may change at any time. You should therefore check with Fisher & Paykel's Customer Care Centre to ensure this page correctly describes the model currently available. © Fisher & Paykel Appliances Ltd 2020

All appliances use energy, and energy usage typically generates carbon emissions. **Fisher & Paykel Appliances' In-use Energy Carbon Emissions Estimate** indicates carbon emissions from a product's in-use energy. This is calculated either annually or per cycle, using the product's market-specific energy label energy consumption data multiplied by the carbon emissions factor for energy in your country or region.

Our In-use Energy Carbon Emissions Estimate is designed to assist customers in making informed purchasing decisions when comparing different Fisher & Paykel products. For example, a heat pump dryer typically has a lower In-use Energy Carbon Emissions Estimate than a vented dryer.

**Other product downloads available at fisherpaykel.com**

- ↓ DXF
- ↓ Data Sheet (English)
- ↓ DWG
- ↓ Energy Label
- ↓ Water Filter Replacement Instructions - Parts 847200 and 847201 (English)
- ↓ Installation Guide (English)
- ↓ Water Filter Replacement Instructions - Parts 862285 and 862288 (English)
- ↓ Installation Guide (English)
- ↓ Installation Guide (English)
- ↓ Water Filter Replacement Instructions - Parts 847200 and 847201 (French)
- ↓ Water Filter Replacement Instructions - Parts 862285 and 862288 (French)
- ↓ Installation Guide - Joiner Kit (Canadian French)
- ↓ Installation Guide (Canadian French)
- ↓ Right To Repair Declaration (English, Canadian French)
- ↓ User Guide (English)
- ↓ User Guide (Canadian French)

Where applicable:

**Performance**

- ActiveSmart™ Foodcare
- Adaptive defrost
- Frost free freezer
- Humidity control system
- Sabbath mode

**Power requirements**

Rated current	<b>10 A</b>
Supply frequency	<b>60 Hz</b>
Supply voltage	<b>115 V</b>

**Product dimensions**

Depth	<b>27 3/8 "</b>
Height	<b>67 3/4 "</b>
Minimum air clearance at rear	<b>1 3/16 "</b>
Minimum air clearance each side	<b>1 3/16 "</b>
Width	<b>31 1/8 "</b>

SKU 26294



**A PEACE OF MIND SALE**  
**24 Hours 7 Days a Week Customer Support**  
 T 1.888.936.7872 Wwww.fisherpaykel.com