

# FISHER & PAYKEL

## PRELIMINARY SPECIFICATION GUIDE

## BUILT-IN COFFEE MAKER, 60CM



Coffeemaker shown with with Warmer Drawer ADWB6024SMG (Grey)



Coffeemaker shown with with Warmer Drawer ADWB6024SMB (Black)

### OVERVIEW

The Built-in Coffee Maker features a stylish finish and can be installed in multiple configurations to suit kitchen design and preference. With 13 beverage options, our Coffee Maker is designed to consistently pour delicious coffee - from Flat White to Latte or Americano. Favourite coffee can be memorised and set to start at the same time each day, while the conical burr grinder delivers a consistent grind for the perfect coffee.

### MODELS

#### Built-in Coffee Maker, 60cm,

Touchscreen, Dial  
EB60MSG1 (Grey), EB60MSB1 (Black)

### SERIES & STYLE

Series 9  
Minimal

### FEATURES

- ① Designed to pair perfectly with 60cm ovens and companion products
- ② Stylish stainless steel finish
- ③ Install in multiple configurations to suit your kitchen design
- ④ Intuitive touch display
- ⑤ 13 functions to suit any taste and selection - from Espresso to Latte
- ⑥ Personalised coffee and smart self-learning menu preferences
- ⑦ Stainless steel conical burr grinder with 13 coarseness positions
- ⑧ 15 bar pump pressure
- ⑨ Self-cleaning function and easy to empty coffee grounds container and drip tray
- ⑩ 2.5L water tank capacity

### ACCESSORIES

- ① Thermal milk jug (0.5L)
- ② Water filter
- ③ Coffee spoon
- ④ Extractable steam outlet
- ⑤ Descaling agent bottle
- ⑥ Optional 76cm trim kit TK7630NMB1 (Black)

# FISHER & PAYKEL

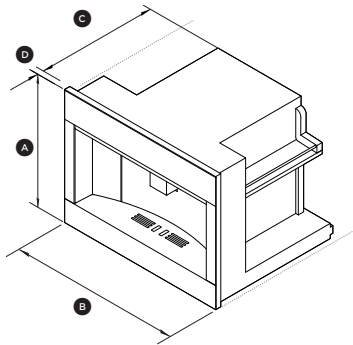
## PRELIMINARY SPECIFICATION GUIDE

## BUILT-IN COFFEE MAKER, 60CM

### SPECIFICATIONS

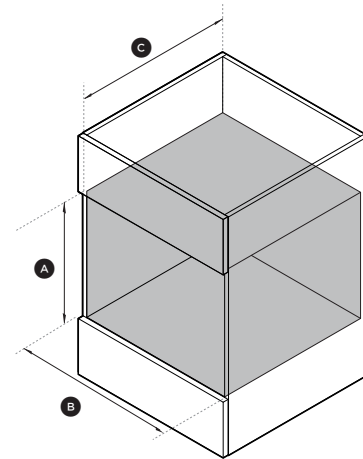
Model No.	EB60MSG1, EB60MSB1
Dimensions	H 458mm W 596mm D 480mm
Total water tank capacity	2.4L
Weight	29kg (unpackaged) 39kg (packaged)
Electrical	
Supply	220-240VAC, 50Hz
Service	10A circuit

### PRODUCT DIMENSIONS



ISO VIEW

### CAVITY DIMENSIONS



ISO VIEW

	mm
Ⓐ Overall height	458
Ⓑ Overall width	596
Ⓒ Depth of chassis	460
Ⓓ Depth front frame	20

	mm
Ⓐ Minimum inside height	450
Ⓑ Minimum inside width	560
Ⓒ Minimum inside depth	545