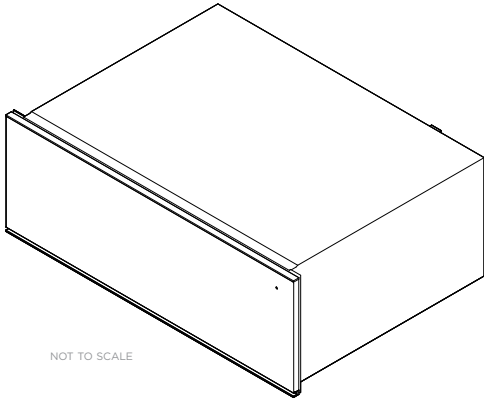


FISHER & PAYKEL

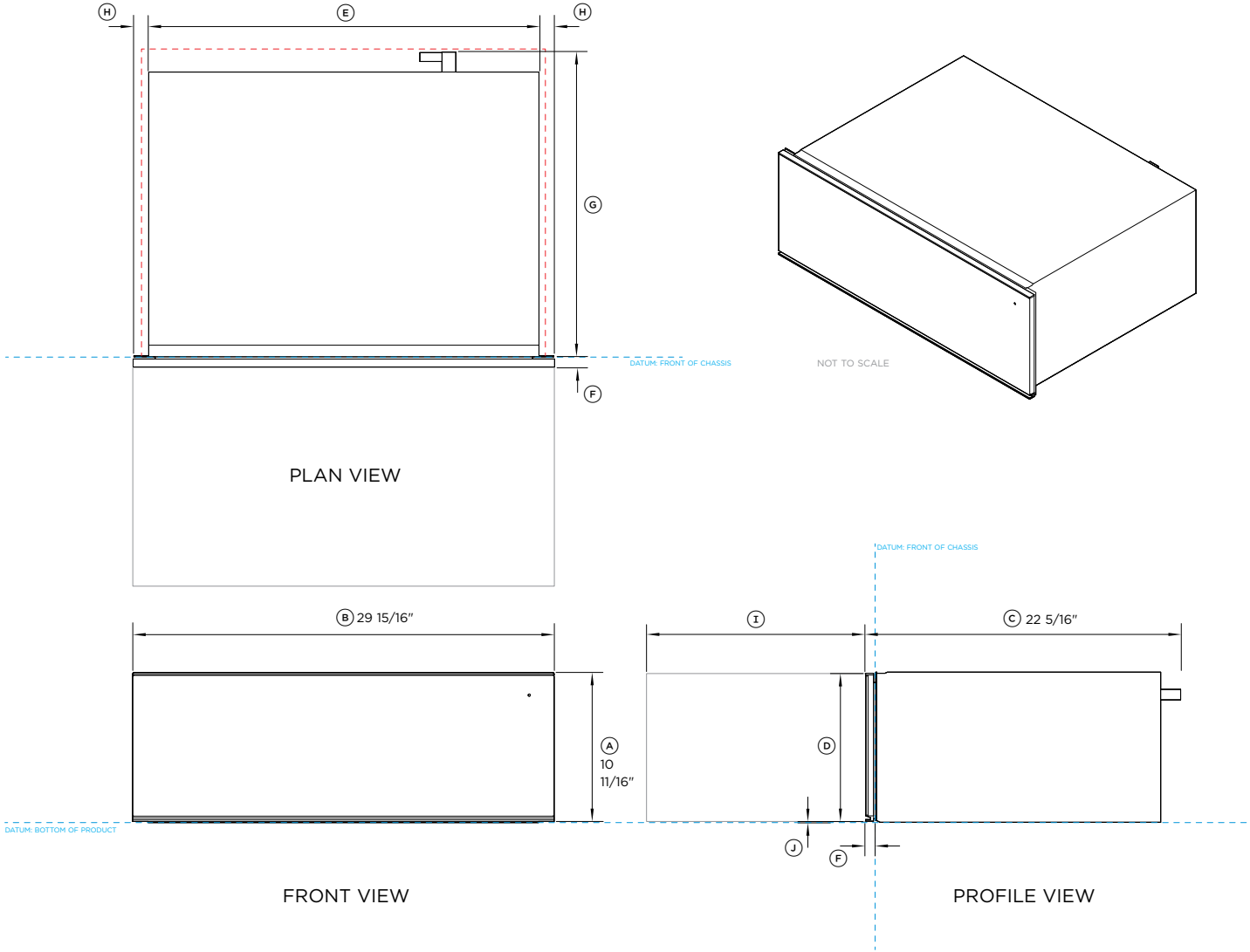
DATA SHEET Warming Drawer, 30"

Model no:
Minimal Black - WB30SDB1-SET

(refer page 2 for metric measurements)



NOT TO SCALE



Product Dimensions	inch
Ⓐ Overall height	10 11/16
Ⓑ Overall width	29 15/16
Ⓒ Overall depth (incl. front panel & power plug, excludes stainless cap)	22 5/16
Ⓓ Height of drawer front panel	10 1/2
Ⓔ Width of chassis	27 3/4
Ⓕ Depth of drawer front panel and flange (excludes stainless cap)	13/16
Ⓖ Depth of chassis (includes power plug, excludes flange)	21 9/16
Ⓗ Distance from side of chassis to side of drawer front	1 1/16
Ⓘ Depth of open drawer (measured from front of drawer panel)	16 1/2
Ⓚ Height from bottom of chassis to bottom of front panel	1/16

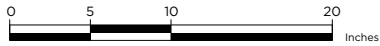
Dimension Clearances for PROUD INSTALLATION	inch
Minimum inside height of cavity	10 3/4
Minimum inside width of cavity	28 1/2
Minimum inside depth of cavity	22 1/16
Overall width of cabinetry	30 1/16
Minimum clearance between top of front panel and upper cabinetry panel	1/16
Minimum clearance between bottom of front panel and lower cabinetry panel	1/16

IMPORTANT NOTE: For full installation and clearance details please refer to our installation manual.

INDICATES CABINETRY / PRODUCT DATUM -----
INDICATES CABINETRY CLEARANCES -----

DATE: 20.11.2023 90003266A

IMPORTANT NOTE: Throughout this guide, dimensions may vary by ±2mm (1/16"). Please read the installation manual for detailed information on installing the product. For full installation instructions & specifications visit fisherpaykel.com

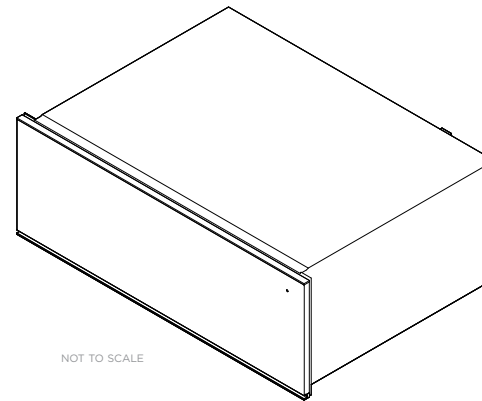


FISHER & PAYKEL

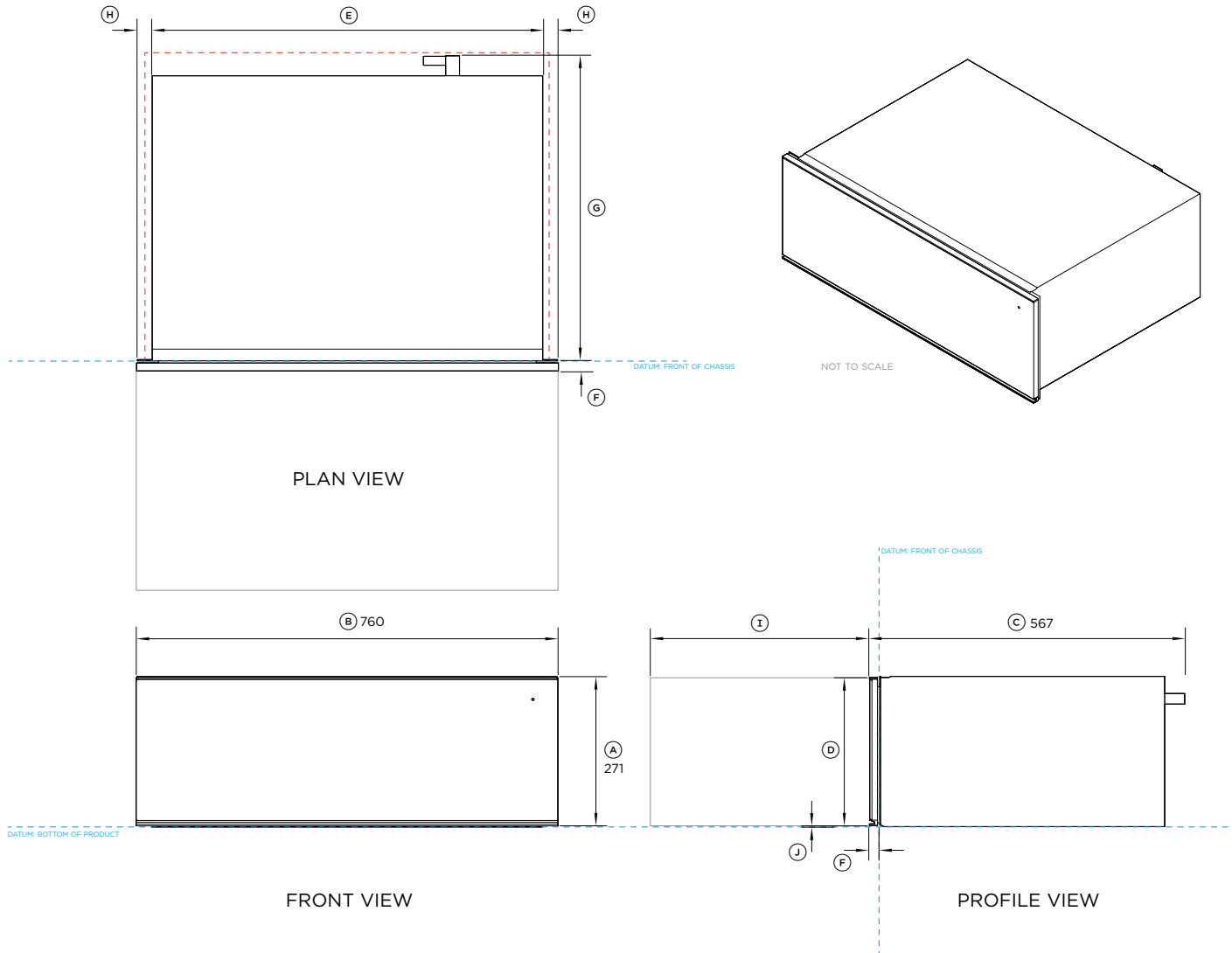
DATA SHEET Warming Drawer, 30"

Model no:
Minimal Black - WB30SDB1-SET

(refer page 1 for imperial measurements)



NOT TO SCALE



Product Dimensions	mm
Ⓐ Overall height	271
Ⓑ Overall width	760
Ⓒ Overall depth (incl. front panel & power plug, excludes stainless cap)	567
Ⓓ Height of drawer front panel	267
Ⓔ Width of chassis	704
Ⓕ Depth of drawer front panel and flange (excludes stainless cap)	20
Ⓖ Depth of chassis (includes power plug, excludes flange)	547
Ⓗ Distance from side of chassis to side of drawer front	27
Ⓙ Depth of open drawer (measured from front of drawer panel)	419
Ⓚ Height from bottom of chassis to bottom of front panel	2

Dimension Clearances for PROUD INSTALLATION	mm
Minimum inside height of cavity	273
Minimum inside width of cavity	724
Minimum inside depth of cavity	560
Overall width of cabinetry	764
Minimum clearance between top of front panel and upper cabinetry panel	2
Minimum clearance between bottom of front panel and lower cabinetry panel	2

IMPORTANT NOTE: For full installation and clearance details please refer to our installation manual.

INDICATES CABINETRY / PRODUCT DATUM -----
INDICATES CABINETRY CLEARANCES -----

DATE: 20.11.2023

90003266A

IMPORTANT NOTE: Throughout this guide, dimensions may vary by $\pm 2\text{mm}$ (1/16"). Please read the installation manual for detailed information on installing the product. For full installation instructions & specifications visit fisherpaykel.com

