

# FISHER & PAYKEL

## DATA SHEET 76cm Double Pro Wall Oven

Model no:  
**OB76DPPTX1**

Product Dimensions	mm
Ⓐ Overall height of oven	1232
Ⓑ Overall width of oven	757
Ⓒ Depth of front frame (excludes handle)	39
Ⓓ Depth of oven chassis and front frame (excludes handle)	608
Ⓔ Depth of chassis	569
Ⓕ Height of chassis	1218
Ⓖ Width of chassis	719
Ⓖ Height of control panel	100
Ⓘ Height from bottom datum to top of upper oven door	1118
Ⓚ Height from bottom datum to centerline of upper handle	1095
Ⓛ Height from bottom datum to top of lower oven door	557
Ⓛ Height from bottom datum to centerline of lower handle	533
Ⓜ Height from bottom datum to bottom of lower door	28
Ⓨ Height from bottom datum to top of upper door	571
Ⓝ Width of handle (including standoffs)	748
Ⓟ Depth of handle (including standoffs)	58
Ⓟ Thickness of handle (not including standoffs)	25
Ⓢ Depth of upper door (open) (measured from front of door)	550
Ⓣ Depth of lower door (open) (measured from front of door)	530

Minimum Clearances	mm
Minimum inside height of cavity	1224
Minimum inside width of cavity	724
Minimum inside depth of cavity (proud installation*)	575

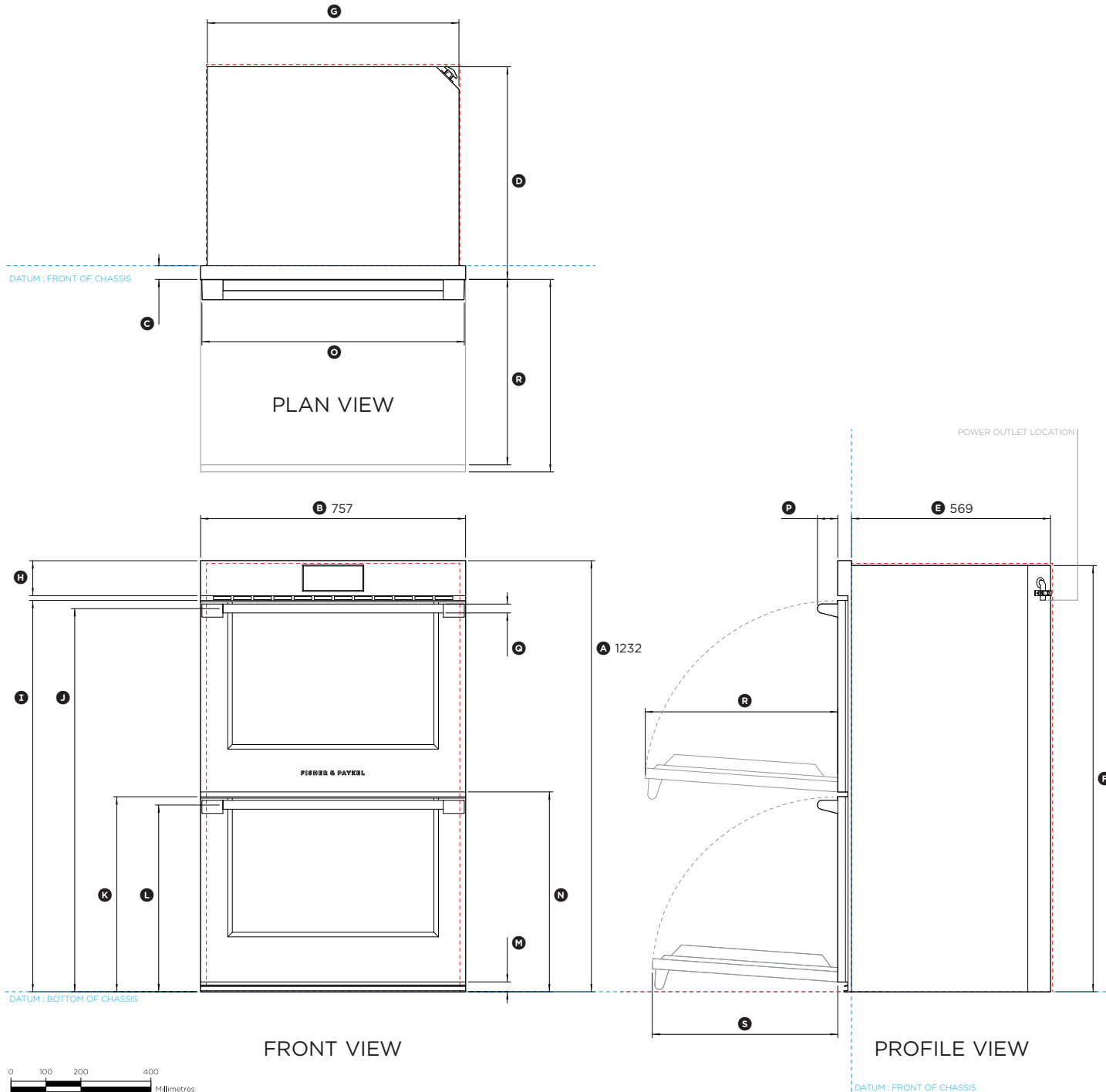
\*Flush installation possible. Depending on cabinet panel thickness a rebate around front frame might be required, refer Installation Manual.

IMPORTANT NOTE: For full installation and clearance details please refer to our installation manual.

INDICATES PRODUCT DATUM .....  
INDICATES CABINETRY CLEARANCES - - - - -

DATE: 14.03.2022

IMPORTANT NOTE: Throughout this guide, dimensions may vary by ±2mm (1/16"). Please read the installation manual for detailed information on installing the product. For full installation instructions & specifications visit [fisherpaykel.com](http://fisherpaykel.com)



FRONT VIEW

PROFILE VIEW

0 100 200 400  
Millimetres

DATUM: FRONT OF CHASSIS