

# 60cm Series 9 Minimal Compact Combi-Steam Oven

Minimal

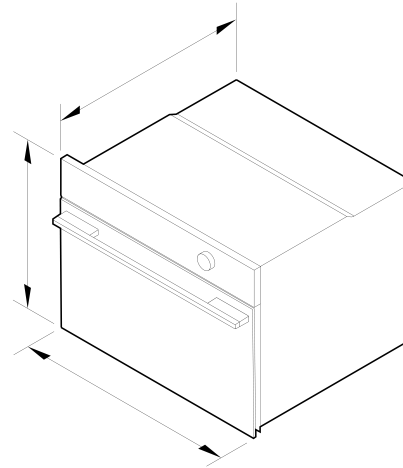


Designed to be the cornerstone of any kitchen solution, our Combination Steam Oven is engineered for the home chef. In compact size, this oven can be placed almost anywhere.

- 23 oven functions including Steam, Sous Vide, Air Fry and Crisp Regenerate
- With steam cooking, convection cooking, or a combination of both
- A Wireless Temperature Sensor precisely monitors cooking in real time
- Guided touchscreen cooking makes it simple to cook by food, function or recipe

## DIMENSIONS

|        |        |
|--------|--------|
| Height | 458 mm |
| Width  | 596 mm |
| Depth  | 565 mm |



## FEATURES & BENEFITS

### Combination Cooking

Give every ingredient the respect it deserves with combination steam cooking. Using a fusion of dry convection heat with variable amounts of steam, you can easily retain the delicate texture of ingredients like salmon and snapper, the vitamins and minerals of greens, or the depth of flavour of a perfect cut of meat.

### Mastery Of Temperature

Elevate your meals with the precise temperature and humidity control of steam cooking. Steam cooking has a gentler heat transfer into the food, so you get nutritious and delicious results that are moist and tender on the inside, crisp and flaky on the outside, all with minimal effort.

### Preserve Flavour And Nutrients

Cooking with steam creates dishes that are full of flavour, while preserving all the vitamins, minerals and textures of delicate ingredients, like fish and seafood. With five steam-only cooking functions, including Sous vide, Steam and Steam Proof, you can use steam to create healthier dishes that get the best out of each component on the plate.

### Multi-Function Flexibility

A truly multiple function oven where both steam-only and convection-only cooking mediums can stand on their own merits. You have the freedom to choose - whether it's dry heat or moist heat, or a combination of the two - each delivering different cooking results. Purchase our Wireless Temperature Sensor accessory and precisely monitor cooking in real time (accessory sold separately).

### Design Freedom

With a subtle grey glass finish, this Minimal style oven blends seamlessly, enhancing your kitchen design without dominating it. It's understated and elegant, whether on its own or part of a matching appliance set. Pair with a Vacuum Seal Drawer for the ultimate kitchen solution.

### Cook With Confidence

Using the large 5" touchscreen you can select a cooking method or hero ingredient and your oven will provide heat type and temperature recommendations for perfect results. For added versatility, you can also select your go-to cooking functions.

### Reheat And Restore

Give your leftovers a new life by reheating foods with steam, which regenerates moisture levels so meals come out fresh and delicious. Use Steam Regenerate to reheat meals such as roast and risotto, while Crisp Regenerate is perfect for refreshing pastries, bread and pizza.

## SPECIFICATIONS

### Accessories (included)

|                             |                        |
|-----------------------------|------------------------|
| Chromed shelf runners       | •                      |
| Descalc solution            | 2 sachets, Part 580925 |
| Flat brushed baking tray    | 1                      |
| Grill rack                  | 1 set                  |
| Large steam dish            | 1                      |
| Perforated large steam dish | 1                      |
| Perforated small steam dish | 1                      |
| Roasting dish               | 1                      |
| Wire shelf                  | 1                      |
| Wired temperature sensor    | 1                      |

### Capacity

|                     |      |
|---------------------|------|
| Shelf positions     | 4    |
| Total capacity      | 55 L |
| Usable capacity     | 45 L |
| Water tank capacity | 1.5L |

### Cleaning

|                                |   |
|--------------------------------|---|
| Acid resistant graphite enamel | • |
| Descalc cycle                  | • |

|                                 |   |
|---------------------------------|---|
| Drying cycle                    | • |
| Removable oven door             | • |
| Removable oven door inner glass | • |
| Removable side ladders          | • |
| Removable water tank            | • |
| Steam clean (oven)              | • |

### Consumption

|               |               |
|---------------|---------------|
| Energy rating | A+            |
| Energy usage  | 0.60kWh/cycle |

### Controls

|  |            |
|--|------------|
| Adjustable audio and display settings                    | •          |
| Audio feedback   | •          |
| Automatic cooking/minute timer                           | •          |
| Automatic pre-set temperatures                           | •          |
| Delay start  | •          |
| Electronic oven control                                  | •          |
| Guided cooking by food type and recipes                  | •          |
| Internal Light   | •          |
| Multi-language display                                   | UK English |
| Sabbath mode with Federation of Synagogues certification | •          |
| Smart appliance  | •          |
| Soft close doors   | •          |
| Temperature sensor                                       | •          |
| True convection oven                                     | •          |
| Turned stainless steel dials with illuminated halos      | •          |
| Wireless temperature sensor compatible                   | •          |

### Functions

|                           |    |
|---------------------------|----|
| Air fry                   | •  |
| Bake                      | •  |
| Classic bake              | •  |
| Crisp regenerate          | •  |
| Fan bake                  | •  |
| Fan forced                | •  |
| Fan forced + High steam   | •  |
| Fan forced + Low steam    | •  |
| Fan forced + Medium steam | •  |
| Fan grill                 | •  |
| Grill                     | •  |
| Number of functions       | 23 |
| Pastry Bake               | •  |
| Pizza bake                | •  |
| Roast                     | •  |
| Slow cook                 | •  |
| Sous vide                 | •  |
| Steam                     | •  |
| Steam clean (oven)        | •  |
| Steam defrost             | •  |
| Steam proof               | •  |
| Steam regenerate          | •  |
| Vent bake                 | •  |
| Warm                      | •  |

### Performance

|                          |   |
|--------------------------|---|
| ActiveVent™ system       | • |
| AeroTech™ technology     | • |
| Automatic rapid pre-heat | • |

|                       |                     |
|-----------------------|---------------------|
| Grill power           | <b>3000 W</b>       |
| SteamTechnology       | •                   |
| Temperature range     | <b>35°C - 230°C</b> |
| Whisper quiet cooking | •                   |

The product dimensions and specifications in this page apply to the specific product and model. Under our policy of continuous improvement, these dimensions and specifications may change at any time. You should therefore check with Fisher & Paykel's Customer Care Centre to ensure this page correctly describes the model currently available. © Fisher & Paykel Appliances Ltd 2020

Our In-use Energy Carbon Emissions Estimate is designed to assist customers in making informed purchasing decisions when comparing different Fisher & Paykel products. For example, a heat pump dryer typically has a lower In-use Energy Carbon Emissions Estimate than a vented dryer.

**Power requirements**

|                  |                  |
|------------------|------------------|
| Amperage         | <b>15 A</b>      |
| Supply frequency | <b>50 Hz</b>     |
| Supply voltage   | <b>220-240 V</b> |

**Other product downloads available at fisherpaykel.com**

- [↓](#) DWG
- [↓](#) DXF
- [↓](#) Archicad
- [↓](#) Declaration of Conformity (English)
- [↓](#) Energy Label
- [↓](#) Energy Label
- [↓](#) Installation Guide (German)
- [↓](#) Installation Guide (English)
- [↓](#) Planning Guide (German)
- [↓](#) Planning Guide - 60cm Minimal Ovens and Companions (English)
- [↓](#) Product Information Sheet
- [↓](#) Product Information Sheet
- [↓](#) User Guide (German)
- [↓](#) User Guide (English)

**Product dimensions**

|        |               |
|--------|---------------|
| Depth  | <b>565 mm</b> |
| Height | <b>458 mm</b> |
| Width  | <b>596 mm</b> |

**Where applicable:**

All appliances use energy, and energy usage typically generates carbon emissions. **Fisher & Paykel Appliances' In-use Energy Carbon Emissions Estimate** indicates carbon emissions from a product's in-use energy. This is calculated either annually or per cycle, using the product's market-specific energy label energy consumption data multiplied by the carbon emissions factor for energy in your country or region.



**A PEACE OF MIND SALE**  
**24 Hours 7 Days a Week Customer Support**  
 T 08000886605 Wwww.fisherpaykel.com

**Safety**

|                        |   |
|------------------------|---|
| Balanced oven door     | • |
| Control panel key lock | • |
| CoolTouch door         | • |
| Non-tip shelves        | • |
| Safety thermostat      | • |

|     |       |
|-----|-------|
| SKU | 82596 |
|-----|-------|