

# Integrated Refrigerator Freezer, 90.6cm, Ice

Series 7 | Integrated

Panel Ready | Right Hinge

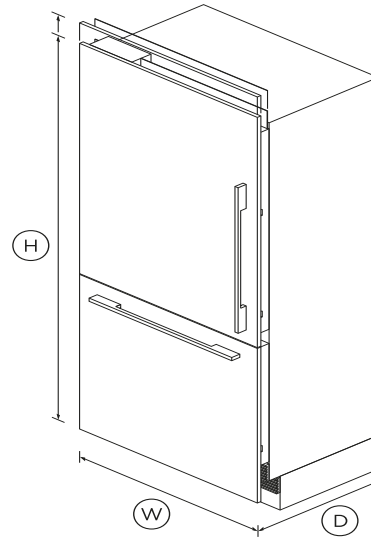


Choose a roomy refrigerator with ice maker. Fits flush with your custom cabinetry or with our stainless steel panels.

- ActiveSmart™ technology helps keep food fresher for longer by constantly maintaining the ideal temperature.
- Customise with your own kitchen cabinetry or purchase our stainless steel door panel accessory
- Internal ice maker with boost feature for busy times
- Spacious bottom freezer with full extension drawer gives easy access to frozen goods

## DIMENSIONS

Height	2028mm
Width	906mm
Depth	606mm



## FEATURES & BENEFITS

### ActiveSmart™ Foodcare

ActiveSmart™ Foodcare learns how you live. It is technology which understands how you use your refrigerator and adjusts temperature, airflow and humidity inside to help keep food fresher for longer.

### Ice maker

Fresh ice is always available for you in a dedicated freezer bin. Simply turn it off to free up freezer space, or during busy times you can boost ice production by up to 30%.

## Easy installation

Our integrated products are easy to install, whether you are renovating your kitchen or designing a new one. Adjustable front and rear feet allow for uneven floors alongside adjustable door panels that can be customised to match your kitchen.

## Simple storage

This refrigerator is designed to make it simple for you to store, access and remove food. Storage bins give you full access inside when they're pulled open and can be easily removed to clean. Our flexible shelving also gives you more storage options.

## SPECIFICATIONS

### Accessories (sold separately)

Door panel stainless steel	Left hinge = 25790 (2028mm)
Handle kit Contemporary	AHS-ASBI-B
Handle kit Contemporary	AHD5RD9120W
Handle kit Contemporary	AHD5RD9120WB
Handle kit Contemporary	RS91W
Joiner kit	25702
Water filter replacement	847200 - FWC3

### Capacity

Total net volume	477L
Volume freezer	145L
Volume refrigerator	332L

### Consumption

Energy consumption	303kWh/year
Energy rating	E
Energy usage	303kWh/year
In-use energy carbon	60.2kgCO2e/year

**Features**

Adjustable door shelves	6
Adjustable glass shelves	3
Covered door shelves	2
Door alarm	•
Fruit and vegetable bins	2
LED lighting	•
SmartTouch control panel	•
Soft close doors	•
Stackable bottle holders	4

**Freezer Features**

Automatic ice maker	•
Bottle chill	•
Door alarm	•
Fast freeze	•
Ice Boost	•
Ice bin and scoop	•
LED lighting	•
Large plastic bins	•
Slide Out Pastry Tray	•

**Performance**

ActiveSmart™ Foodcare	•
Adaptive defrost	•
Frost free freezer	•
Humidity control system	•
Inverter controlled compressor	•
Noise emissions	42dBA

Noise emissions class	D
R600a refrigerant	•
Sabbath mode	•

**Power requirements**

Rated current	10A
Supply frequency	50Hz
Supply voltage	230V

**Product dimensions**

Depth	606mm
Height	2028mm
Width	906mm

**Warranty**

Parts and labour	5 years
Sealed system parts only	5 years

SKU	26754
-----	-------

The product dimensions and specifications in this page apply to the specific product and model. Under our policy of continuous improvement, these dimensions and specifications may change at any time. You should therefore check with Fisher & Paykel's Customer Care Centre to ensure this page correctly describes the model currently available. ? Fisher & Paykel Appliances Ltd 2020



**A PEACE OF MIND SALE**

24 Hours 7 Days a Week Customer Support

T 08000 886 605 Wwww.fisherpaykel.com