

FISHER & PAYKEL

SPECIFICATION GUIDE

INTEGRATED SINGLE DISHDRAWER™ DISHWASHER, TALL, SANTISE SERIES 9, INTERGRATED STYLE



OVERVIEW

Designed to fit your full-sized dinner plates, this DishDrawer™ can be placed anywhere in your kitchen, integrating seamlessly

MODELS

Integrated Single DishDrawer™ Dishwasher, Tall, Sanitise
Panel Ready
DD60ST19

Integrated Single DishDrawer™ Dishwasher, Tall, Sanitise
Panel Ready
DD60SHT19

SERIES & STYLE

Series 9
Integrated Style

FEATURES

- ① Customise with your own front panel and handle to match your kitchen cabinetry
- ② Six wash program, from delicate to heavy to suit any load
- ③ Additional Quick wash, Sanitise and Extra Dry options
- ④ Can be positioned at bench height, for easy of loading and minimal bending.
- ⑤ Flexible racking can be folded down to fit bigger dishes
- ⑥ Spray arm sensing, for a more reliable wash
- ⑦ With soft-close mechanism and knock-to-pause function

ACCESSORIES

- ① Optional contemporary square handle kit
- ② Optional contemporary round handle kit
- ③ Optional stainless steel door kit
- ④ Cutlery basket
- ⑤ Knife clip and multipurpose clip

FISHER & PAYKEL

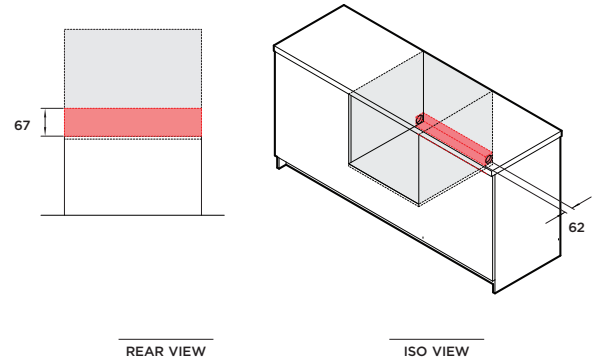
SPECIFICATION GUIDE

INTEGRATED SINGLE DISHDRAWER™ DISHWASHER, TALL, SANTISE SERIES 9, INTERGRATED STYLE

SPECIFICATIONS

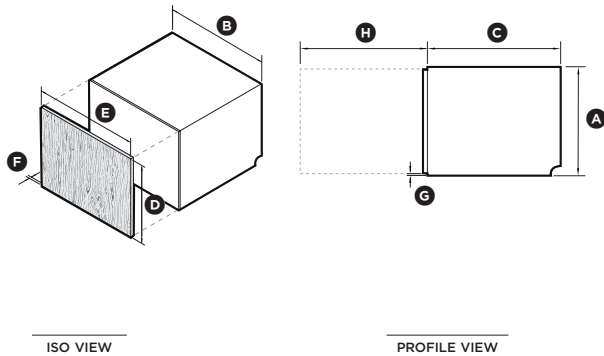
Model No.	DD60STI9, DD60SHTI9
Dimensions	H 454mm x W 599mm x D 571mm
Electrical	
Supply	220-240V, 50Hz
Service	4.2A
Receptacle	3 pin earthing-type
Plumbing	
Supply	3/4" BSP (GB20) to suit flat washer
Pressure	Water softener models: max. 1 MPa (145 psi), min. 0.1 MPa (14.5 psi) Non-water softener models: max. 1 MPa (145 psi), min. 0.03 MPa (4.3 psi)

PLUMBING AND ELECTRICAL

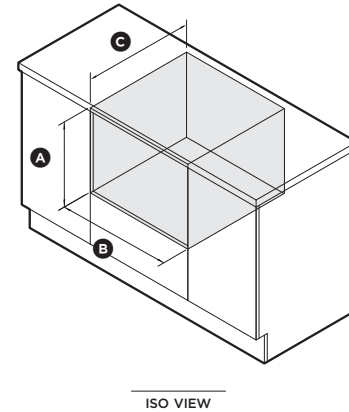


Service outlet at rear extends both sides, hoses and cords can be routed to either or both sides

PRODUCT DIMENSIONS



CAVITY DIMENSIONS: STANDARD INSTALLATION



	mm
(A) Overall height of chassis*	454
(B) Overall width of chassis*	599
(C) Depth of chassis*	553
(D) Minimum height of custom front panel	452
(E) Width of custom front panel	596 - 615
(F) Depth of custom front panel	16 - 20
(G) Height of gap below front panel	2
(H) Depth of open drawer	527

*Does not include custom front panel

	mm
(A) Overall height	456
(B) Overall width	600
(C) Minimum overall depth of cavity*	579

*Assumes a door panel thickness of 19mm