

FISHER & PAYKEL

DATA SHEET Integrated Dishwasher Tall, 60cm

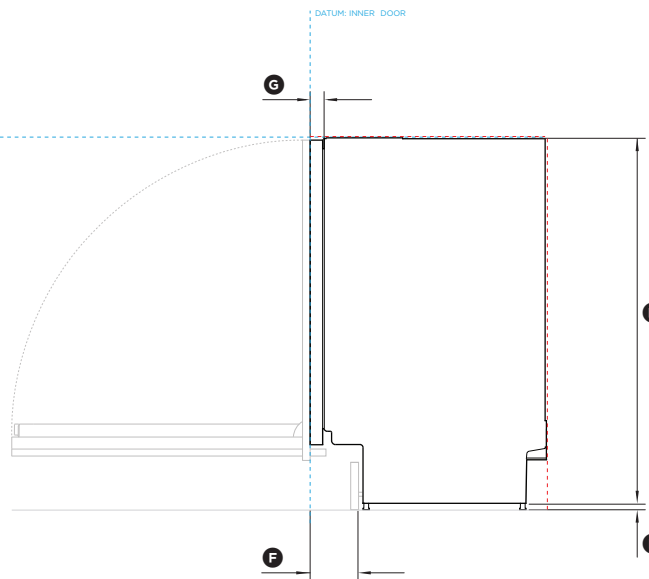
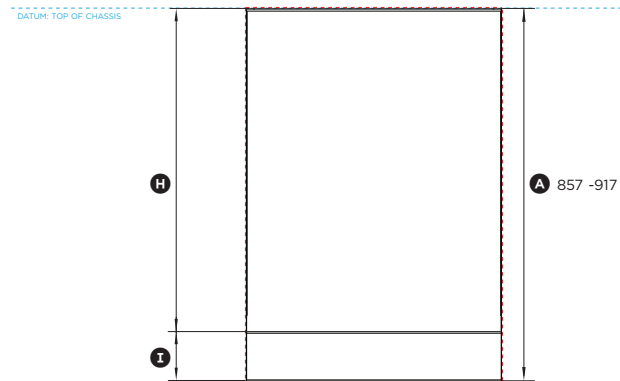
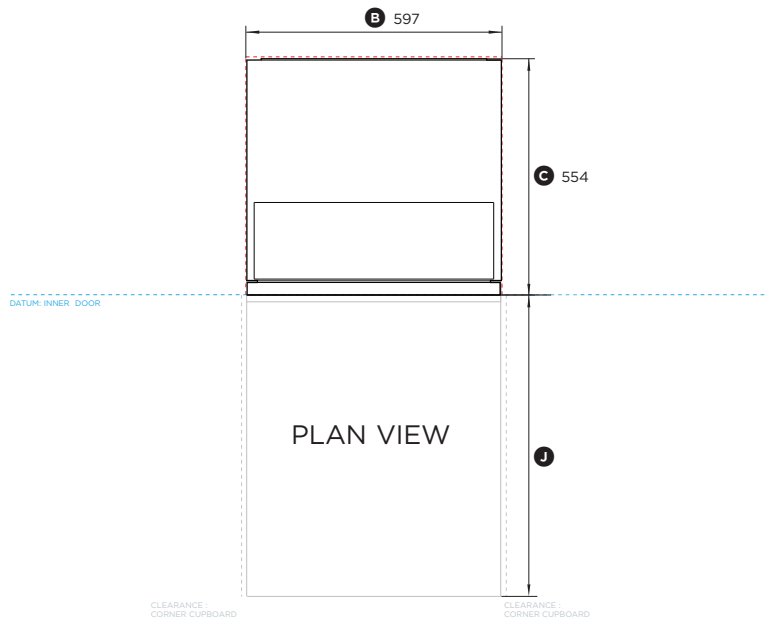
Model no:
DW60UT412

Product Dimensions	mm
Ⓐ Overall height of product*	857 - 917
Ⓑ Overall width of product**	597
Ⓒ Overall depth of product (incl. inner door) **	554
Ⓓ Height of chassis	857
Ⓔ Height of feet*	0 - 60
Ⓕ Depth of toe kick recess	120
Ⓖ Depth of inner door**	33
Ⓜ Height from top of chassis to bottom of inner door	719
Ⓨ Height from bottom of inner door to floor*	138 - 198
Ⓩ Depth of door opening**	676

*depending on adjustment of levelling feet
**excluding custom panel and handle

Minimum Clearances	mm
Minimum inside height of cavity*	857
Minimum inside width of cavity	600
Minimum overall depth of cavity**	580
Height of toe kick area	65 - 200
Minimum clearance to corner cupboard	13
Minimum clearance to adjacent cupboard door	2

*depending on adjustment of levelling feet
** including 19mm door panels on adjacent cabinetry



INDICATES PRODUCT DATUM -----
INDICATES CABINERY CLEARANCES - - - - -

DATE: 22.02.2022

IMPORTANT NOTE: Throughout this guide, dimensions may vary by ± 2 mm. Please read the installation guide for detailed information on installing the product. For full installation instructions & specifications visit fisherpaykel.com

FISHER & PAYKEL

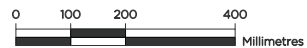
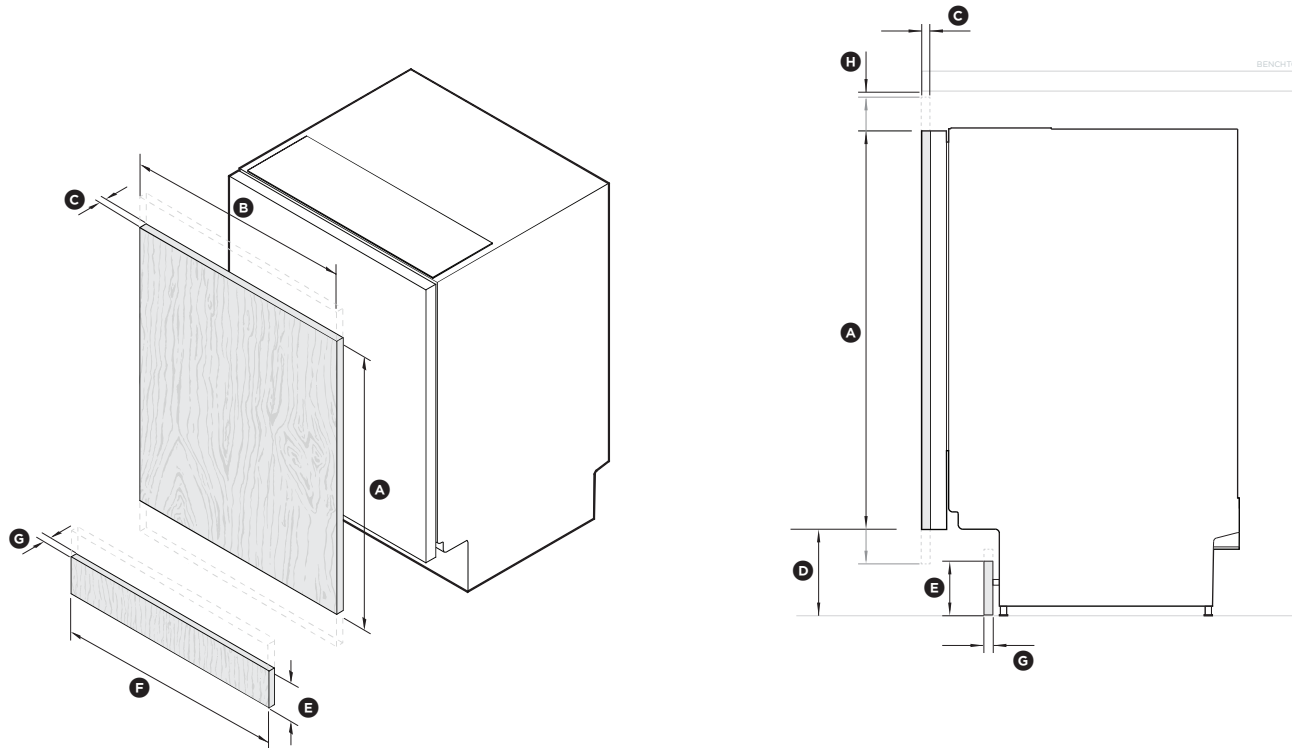
DATA SHEET Integrated Dishwasher Tall, 60cm

Model no:
DW60UT412

Product Dimensions	mm
Ⓐ Minimum height of custom door panel for full coverage of the inner door	714
Ⓒ Minimum door panel width	596
Ⓒ Door panel depth	16 - 25
Ⓑ Distance from base of door panel to floor	65 - 200
Ⓔ Toe kick panel height	65 - 200
Ⓒ Minimum width of custom toe kick panel	596
Ⓒ Minimum toe kick panel depth	16
Ⓒ Minimum clearance between top of door panel and benchtop	2
Weight of door panel (including handle)	3 - 10kg

*IMPORTANT NOTE:
For full installation and clearance details please refer to our installation manual.

Electrical requirements	220-240 V, 50 Hz, 10 A
Water pressure	0.03-IMPa



DATE: 22.02.2022

IMPORTANT NOTE: Throughout this guide, dimensions may vary by ± 2 mm. Please read the installation manual for detailed information on installing the product. For full installation instructions & specifications visit fisherpaykel.com