

Integrated Refrigerator Freezer, 90.6cm, Ice

Series 7 | Integrated

Panel Ready | Left hinge

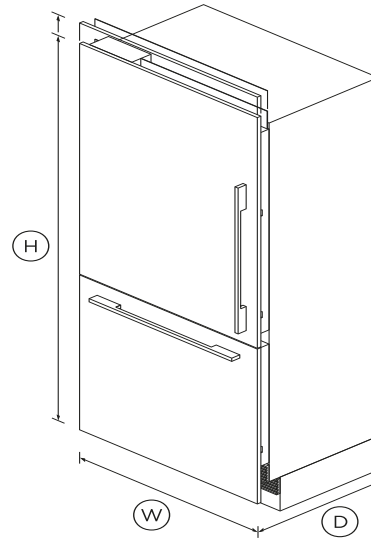


Choose a roomy refrigerator with ice maker. Fits flush with your custom cabinetry or with our stainless steel panels.

- ActiveSmart™ technology helps keep food fresher for longer by constantly maintaining the ideal temperature.
- Customise with your own kitchen cabinetry or purchase our stainless steel door panel accessory
- Internal ice maker with boost feature for busy times
- Spacious bottom freezer with full extension drawer gives easy access to frozen goods

DIMENSIONS

Height	2028 mm
Width	906 mm
Depth	606 mm



FEATURES & BENEFITS

ActiveSmart™ Foodcare

ActiveSmart™ Foodcare learns how you live. It is technology which understands how you use your refrigerator and adjusts temperature, airflow and humidity inside to help keep food fresher for longer.

Ice maker

Fresh ice is always available for you in a dedicated freezer bin. Simply turn it off to free up freezer space or during busy times, you can boost ice production by up to 30%.

Easy installation

Our integrated products are easy to install, whether you are renovating your kitchen or designing a new one. Adjustable front and rear feet allow for uneven floors alongside adjustable door panels that can be customised to match your kitchen.

SPECIFICATIONS

Accessories (sold separately)

Contemporary round handle kit	25339
Contemporary square handle	24989
Joiner kit	25702
Replacement water filter	Models 24xxx, 25xxx-A, 25xxx-
Square fine aluminium handle	25857
Square fine black handle kit	25900
Stainless steel door panel	Left hinge = 25790 (2028mm)

Capacity

Freezer	102L
Refrigerator	329L
Total gross capacity	525L

Consumption

Energy rating	A+
Energy usage	370kWh/year

Freezer features

- Automatic ice maker
- Bottle chill
- Door alarm
- Fast freeze

Ice Boost	•	Door alarm	•
Ice bin and scoop	•	Fruit and vegetable bins	2
LED lighting	•	Humidity controlled crisper	•
Large plastic bin	•	LED lighting	•
Slide Out Pastry Tray	•	SmartTouch control panel	•
Small plastic bins	2	Soft close doors	•
		Stackable bottle holders	4

Performance

ActiveSmart™ Foodcare	•
Adaptive defrost	•
Frost free freezer	•
Humidity control system	•
Inverter controlled compressor	•
R600a refrigerant	•
Sabbath mode	•

Warranty

Parts and labour	2 years
Sealed system parts only	5 years

SKU 25844

Power Requirements

Supply frequency	50Hz
Supply voltage	220V

Product dimensions



Depth	606 mm
Depth (less door)	606 mm
Height	2028 mm
Width	906 mm

Refrigerator features

Adjustable door shelves	6
Adjustable glass shelves	3
Covered door shelves	2

The product dimensions and specifications in this page apply to the specific product and model. Under our policy of continuous improvement, these dimensions and specifications may change at any time. You should therefore check with Fisher & Paykel's Customer Care Centre to ensure this page correctly describes the model currently available. © Fisher & Paykel Appliances Ltd 2019.

Other product downloads available at fisherpaykel.com

-  [User Guide](#)
-  [Service & Warranty Booklet](#)
-  [Installation Guide](#)
-  [Dual Installation Guide](#)
-  [Resources \(zip\)](#)
-  [Resources \(zip\)](#)



A PEACE OF MIND SALE

24 Hours 7 Days a Week Customer Support
T 1300 650 590 W www.fisherpaykel.com