

Freestanding French Door Refrigerator Freezer, 90cm, 569L

Series 7 | Contemporary

White | French hinge

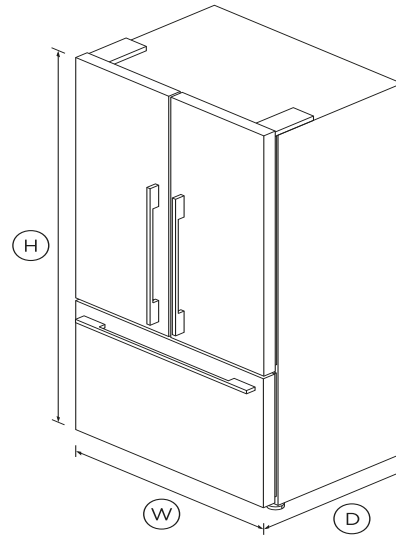


With its large capacity you'll have plenty of flexible storage space in this classic white French Door refrigerator freezer.

- ActiveSmart™ technology to help keep food fresher for longer by stopping temperature fluctuation
- Spacious bottom freezer with full extension drawer gives easy access to frozen goods.

DIMENSIONS

Height	1790mm
Width	900mm
Depth	695mm



FEATURES & BENEFITS

ActiveSmart™ Foodcare

Every time you open your refrigerator, the temperature around your food changes. ActiveSmart™ foodcare adjusts airflow to create a stable temperature, helping your food stay fresher for longer.

Simple storage

This refrigerator is designed to make it simple for you to store, access and remove food. Storage bins give you full access inside when they're pulled open and can be easily removed to clean.

Our flexible shelving also gives you more storage options.

Humidity Control

Your fruit and veges need different environments. The humidity control slides in each storage bin create a microclimate that helps keep food fresher for longer.

Easy cleaning

No more permanent dirty marks with our EZKleen feature for stainless steel refrigerators. Anti-fingerprint coating means you simply wipe clean any marks. Spill-safe secure glass shelves easily capture any drips or leaks.

Design quality

Our refrigerators are designed and built using quality materials. We use real stainless steel, and solid glass for shelving.

Clever energy

Your refrigerator adapts to daily use by cooling and defrosting only when needed. This means it uses only the energy it needs without compromising on food care.

Complementary design

With their premium handle styling and stainless steel finish, our fridges are designed to match the rest of Fisher & Paykel's kitchen appliance family.

SPECIFICATIONS

Capacity

Total net volume	569L
Volume	569L
Volume freezer	152L
Volume refrigerator	417L

Consumption

Energy rating	F
Energy usage	369kWh/year

In-use energy carbon **114.0kgCO2e/year**

- R600a refrigerant •
- Sabbath mode •

Features

Adjustable glass shelves	2
Adjustable half width door	4
Covered door shelves	2
Deli storage bins	2
Door alarm	•
Front levelling feet	•
Fruit and vegetable bins	2
Full extension runners	•
Full width door shelves	2
LED lighting	•
Rear rollers	•
Single bottle holders	4
SmartTouch control panel	•

Product dimensions

Depth	695mm
Height	1790mm
Height to top of cabinet	1790mm
Width	900mm

Warranty

Parts and labour	5 years
Sealed system parts only	5 years

SKU **26503**

The product dimensions and specifications in this page apply to the specific product and model. Under our policy of continuous improvement, these dimensions and specifications may change at any time. You should therefore check with Fisher & Paykel's Customer Care Centre to ensure this page correctly describes the model currently available. Fisher & Paykel Appliances Ltd 2020

Where applicable:

All appliances use energy, and energy usage typically generates carbon emissions. **Fisher & Paykel Appliances' In-use Energy Carbon Emissions Estimate** indicates carbon emissions from a product's in-use energy. This is calculated either annually or per cycle, using the product's market-specific energy label energy consumption data multiplied by the carbon emissions factor for energy in your country or region.

Our In-use Energy Carbon Emissions Estimate is designed to assist customers in making informed purchasing decisions when comparing different Fisher & Paykel products. For example, a heat pump dryer typically has a lower In-use Energy Carbon Emissions Estimate than a vented dryer.

Other product downloads available at fisherpaykel.com

- [↓ Service & Warranty](#)
- [↓ User & Installation Guide ActiveSmart Refrigerator](#)
- [↓ User Guide](#)
- [↓ Declaration of Conformity Refrigeration with WiFi Capability](#)
- [↓ Installation Guide](#)
- [↓ Data Sheet Freestanding French Door Fridge Freezer](#)

Freezer Features

Bottle chill	•
Fast freeze	•
Freezer bins	3
Ice trays	1

Performance

- ActiveSmart™ Foodcare •
- Adaptive defrost •
- Frost free •
- Frost free freezer •
- Humidity control system •
- Inverter controlled compressor •



A PEACE OF MIND SALE

24 Hours 7 Days a Week Customer Support

T 1800 625174 W www.fisherpaykel.com