

Integrated Insert Cooker Hood, 90cm

Series 7 | Integrated

Stainless Steel and Glass

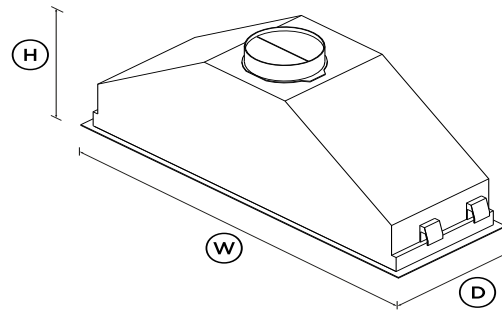


With edge-to-edge extraction, this cooker hood is perfectly hidden away in your cabinetry.

- With three fan speeds plus a boost function, select the perfect extraction rate for your cooking
- Energy-efficient LED lighting to illuminate your hob surface
- Wi-Fi enabled for notifications through the SmartHQ™ app

DIMENSIONS

Height	316mm
Width	830mm
Depth	280mm



FEATURES & BENEFITS

Achieve the invisible

This stylish rangehood fits seamlessly into your kitchen cabinetry, providing ventilation that is as discreet as it is powerful.

Effective extraction

Featuring three fan speeds, plus a boost function, this cooker hood provides powerful extraction to quickly remove odours and steam. Odours can linger in the kitchen well after cooking is finished so the timer keeps the hood working for up to 15

minutes before automatically turning off.

Easy Cleaning

Designed for simple removal, the filters are easy to clean and dishwasher safe, while the glass and stainless steel finish is easily wiped clean. The SmartHQ™ app will notify you when to clean the filter to ensure you get the best performance out of your cooker hood.

Quality Materials

This cooker hood comes in a sleek black glass finish with a real stainless steel frame.

Full Surface Lighting

Low energy, dimmable LED lights provide superb illumination of the entire hob surface.

SPECIFICATIONS

Accessories

Aluminium filter	792943
------------------	--------

Accessories (sold separately)

Recirculation carbon filter	792481
-----------------------------	--------

Consumption

Energy usage	42kWh/year
In-use energy carbon	8.3kgCO2e/year

Installation and cleaning

Dishwasher safe filters	3
Ducted	Top extraction
Recirculation	Optional - top extraction
Stainless steel filter cover	•
Two piece height adjustable	•

Performance

Extraction type	Surface
Fan speeds	4
Filter type	Mesh
Number of filters	2

Power requirements

Motor power	130W
Supply frequency	50Hz
Supply voltage	220 - 240V

Product dimensions

Depth	280mm
Height	316mm
Width	830mm

Product information

Control type	Capacitive touch
--------------	-------------------------

Ventilation features

Auto-off/Run-on timer	•
Dimmable lights	•
Filter cleaning alert	•
Light type	LED strip
Wi-Fi connectivity	•

Warranty

Parts and labour	5 years
------------------	----------------

SKU 50212

The product dimensions and specifications in this page apply to the specific product and model. Under our policy of continuous improvement, these dimensions and specifications may change at any time. You should therefore check with Fisher & Paykel's Customer Care Centre to ensure this page correctly describes the model currently available. Fisher & Paykel Appliances Ltd 2020

Where applicable:

All appliances use energy, and energy usage typically generates carbon emissions. **Fisher & Paykel Appliances' In-use Energy Carbon Emissions Estimate** indicates carbon emissions from a product's in-use energy. This is calculated either annually or per cycle, using the product's market-specific energy label energy consumption data multiplied by the carbon emissions factor for energy in your country or region.

Our In-use Energy Carbon Emissions Estimate is designed to assist customers in making informed purchasing decisions when comparing different Fisher & Paykel products. For example, a heat pump dryer typically has a lower In-use Energy Carbon Emissions Estimate than a vented dryer.

**A PEACE OF MIND SALE****24 Hours 7 Days a Week Customer Support****T 08000 886 605 W www.fisherpaykel.com**