

30" Series 11 Contemporary Self-Cleaning Steam Assist Oven

Contemporary



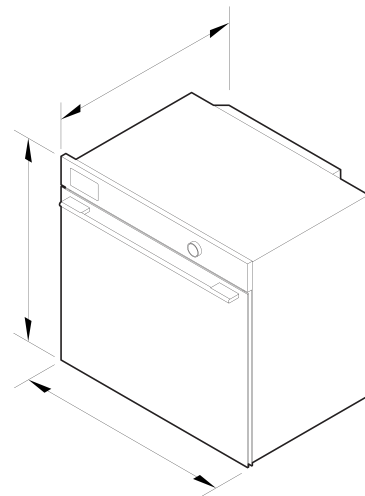
This timeless and expressive oven with Steam Assist and pyrolytic self-cleaning features a large 6.8" touchscreen and method-led cooking for perfect results.

- Create perfect results with precise cooking methods, including Reverse Sear and Regenerate, via the large 6.8" touchscreen
- Steam Assist combines convection heat with steam for even heat distribution, enhanced texture and optimised browning
- Generous 4.9 cu ft total capacity, with full-extension sliding shelves and twin vertical fans, for perfect results across multiple shelves

- SmartHQ™ app offers the ability to preheat remotely or check cooking progress

DIMENSIONS

| | |
|--------|------------|
| Height | 28 11/16 " |
| Width | 29 7/8 " |
| Depth | 23 7/16 " |



FEATURES & BENEFITS

EXCEPTIONAL PERFORMANCE

Steam Assist and pyrolytic self-cleaning deliver exceptional performance with effortless convenience. Guided by a deep understanding of the science of cooking, we've mastered the balance of heat, humidity and airflow to deliver precise cooking methods, from Reverse Sear to Regenerate, that bring out the full potential of every ingredient. With Twin Vertical Fans and ActiveVent™ technology, you can expect consistently perfect results on every shelf.

ENHANCE FLAVOUR, RETAIN NUTRIENTS

Carefully balanced for every dish, Steam Assist ensures a consistent, precisely controlled delivery of steam throughout the cook — with three levels of steam automatically calibrated to your selection. For Bread, it keeps the dough surface moist, allowing an even, airy crumb and a perfectly thin, crispy crust. For Proteins, it accelerates heat transfer, retaining moisture and texture for tender, succulent results.

CONSIDERED DESIGN

Every detail of our Contemporary style appliances has been meticulously designed. With a brushed silver finish, round bar handle and intuitive 6.8" touchscreen, every element aligns beautifully. Create your ultimate kitchen solution with our range of ovens and companion products, creating a seamless and cohesive look when installed side by side or stacked — with perimeter gaps as small as 1/16". The perfect pairing of style and precision for your kitchen.

MASTERY OF TEMPERATURE

Whether you want to Reverse Sear an Eye Fillet, Proof Sourdough, or Dehydrate Citrus, each of our precise cooking methods has been carefully calibrated with the optimal combination of heat, temperature, and humidity to help preserve texture, retain nutrients, and enhance flavour. With additional guidance for multi-shelf cooking and Temperature Sensors, it brings true mastery of temperature to every dish.

EFFORTLESS CLEANING

For effortless wipe-downs, pyrolytic self-cleaning uses very high temperatures to turn residues into fine ash, while the removable crumb tray sits discreetly under the door hinge to catch drips or crumbs and is easily removed for cleaning. The redesigned door showcases remarkable engineering — with smooth, full-width glass that makes deep cleaning simple and satisfying.

MULTI-FUNCTIONAL ACCESSORIES

Thoughtfully designed accessories expand your cooking possibilities. The Multi-Functional Air Fry Tray adapts seamlessly for Air Frying, Baking, or Broiling, its perforated design ensuring even airflow. Multi-use by design, it reduces storage needs and helps to support a sustainable kitchen, while the Wired Temperature Sensor delivers real-time monitoring and useful alerts.

CONNECT AND CONTROL

Connected cooking brings intelligence and ease to your kitchen. With WiFi and the SmartHQ™ app, you can monitor and control your oven remotely, receive real time notifications, and access helpful guidance. Software updates are delivered through the app to keep your appliance current with the latest features and functionality. Voice control with Google Assistant offers hands free convenience, while our temperature sensors support precise, confident cooking.

SPECIFICATIONS

Accessories (included)

| | |
|----------------------------------|---|
| Descal solution | 2 |
| Full extension sliding shelves | 3 |
| Multi-functional Air fry tray | 1 |
| Roasting dish | 1 |
| Self-cleaning proof side ladders | 2 |
| Wired temperature sensor | 1 |

Capacity

| | |
|---------------------|-----------|
| Shelf positions | 8 |
| Total capacity | 4.9 cu ft |
| Usable capacity | 4.6 cu ft |
| Water tank capacity | 22.7 |

Cleaning

| | |
|----------------------------------|---|
| Acid resistant graphite enamel | • |
| Descal cycle | • |
| Pyrolytic self-clean | • |
| Removable oven door | • |
| Removable side ladders | • |
| Removable water tank | • |
| Self-cleaning proof side ladders | • |

Controls

| | |
|--|------|
| Adjustable audio and display settings | • |
| Audio feedback | • |
| Automatic cooking/minute timer | • |
| Automatic pre-set temperatures | • |
| Celsius/Fahrenheit temperature | • |
| Delay start | • |
| Dial with illuminated halo | • |
| Guided touchscreen cooking | • |
| Internal Light | • |
| Intuitive touchscreen display | • |
| Multi-language display | true |
| Sabbath mode with Star K certification | • |
| Smart appliance | • |

| | |
|--|---|
| Soft close doors | • |
| Temperature sensor | • |
| True convection oven | • |
| Voice control | • |
| Wireless temperature sensor compatible | • |

Functions

| | |
|--------------------------|----|
| Aero Broil | • |
| Aero™ Bake | • |
| Air fry | • |
| Bake | • |
| Broil | • |
| Classic bake | • |
| Classic fan | • |
| Crisp regenerate | • |
| Dehydrate | • |
| Maxi Broil | • |
| Number of functions | 17 |
| Roast | • |
| Slow cook | • |
| True Aero | • |
| True Aero + High steam | • |
| True Aero + Low steam | • |
| True Aero + Medium steam | • |
| Vent bake | • |

Performance

| | |
|----------------------|---|
| ActiveVent™ system | • |
| AeroTech™ technology | • |

- Automatic rapid pre-heat •
- Method Cooking •

Power Requirements

| | |
|------------------|--------------------|
| Amperage | 20 A |
| Supply frequency | 60 Hz |
| Supply voltage | 208 - 240 V |

Product Dimensions

| | |
|--------|-------------------|
| Depth | 23 7/16 " |
| Height | 28 11/16 " |
| Width | 29 7/8 " |

Safety

- ADA compliant •
- Control panel key lock •

SKU 84887

The product dimensions and specifications in this page apply to the specific product and model. Under our policy of continuous improvement, these dimensions and specifications may change at any time. You should therefore check with Fisher & Paykel's Customer Care Centre to ensure this page correctly describes the model currently available. © Fisher & Paykel Appliances Ltd 2020

Other product downloads available at fisherpaykel.com

- [↓](#) DWG
- [↓](#) DXF
- [↓](#) Care & Maintenance (English)
- [↓](#) Care & Maintenance (Canadian French)
- [↓](#) Care & Maintenance (Spanish)
- [↓](#) First Use (English)
- [↓](#) First Use (Canadian French)
- [↓](#) First Use (Spanish)
- [↓](#) Installation Guide (English)
- [↓](#) Installation Guide (Canadian French)
- [↓](#) Installation Guide (Spanish)
- [↓](#) Planning Guide - 30" Contemporary (English)
- [↓](#) Planning Guide - 30" Contemporary (Canadian French)
- [↓](#) Planning Guide - 30" Contemporary (Spanish)
- [↓](#) California Warning Proposition 65 (English, Spanish, Canadian French, Chinese)
- [↓](#) Revit
- [↓](#) Rhino
- [↓](#) Right To Repair Declaration (English, Canadian French)
- [↓](#) SketchUp

Where applicable:

All appliances use energy, and energy usage typically generates carbon emissions. **Fisher & Paykel Appliances' In-use Energy Carbon Emissions Estimate** indicates carbon emissions from a product's in-use energy. This is calculated either annually or per cycle, using the product's market-specific energy label energy consumption data multiplied by the carbon emissions factor for energy in your country or region.

Our In-use Energy Carbon Emissions Estimate is designed to assist customers in making informed purchasing decisions when comparing different Fisher & Paykel products. For example, a heat pump dryer typically has a lower In-use Energy Carbon Emissions Estimate than a vented dryer.



A PEACE OF MIND SALE
 24 Hours 7 Days a Week Customer Support
 T 1.888.936.7872 W www.fisherpaykel.com