

# 30" Series 5 Contemporary Over the Range Microwave

Contemporary

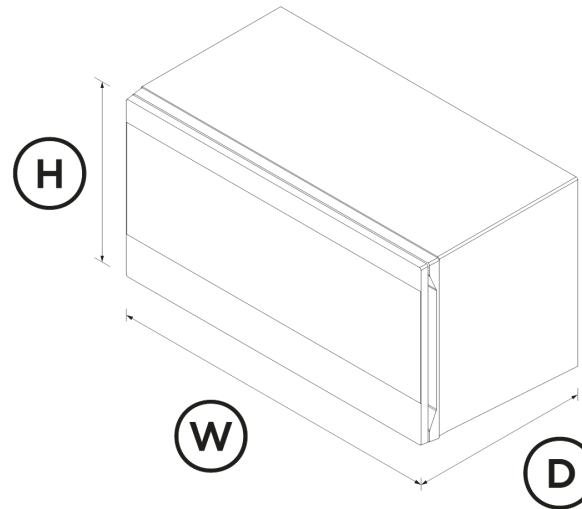


Combine the flexibility of microwave cooking with powerful ventilation, featuring 1000 watts of power and a 300CFM extraction rate.

- Ideal for everyday use with a 1.6 cu ft capacity
- 10 functions including Defrost, Popcorn and Sensor Reheat, giving you the best of microwave technology
- Easy-to-use touch controls
- Removable carousel for easy cleaning

## DIMENSIONS

Height	16.5 "
Width	29.9 "
Depth	15.6 "



## SPECIFICATIONS

<b>Capacity</b>	
Total capacity	1.6 cu ft

<b>Controls</b>	
Audio feedback	•
Electronic clock	•
Intuitive touchscreen display	•
Microwave timer	•

Turntable	•
-----------	---

## Functions

Beverage reheat	•
Defrost	•
Number of functions	10
Pizza bake	•
Popcorn	•

## Performance

Microwave power	1000 W
Microwave power levels	10

## Power Requirements

Supply frequency	60 Hz
Supply voltage	120 V

## Product Dimensions

Depth	15.6 "
Height	16.5 "
Width	29.9 "

## Ventilation Performance

Fan speeds	2
Maximum air movement	300 CFM
Maximum sound rating	7 sones

Minimum sound rating	3
----------------------	---

SKU	71638
-----	-------

The product dimensions and specifications in this page apply to the specific product and model. Under our policy of continuous improvement, these dimensions and specifications may change at any time. You should therefore check with Fisher & Paykel's Customer Care Centre to ensure this page correctly describes the model currently available. © Fisher & Paykel Appliances Ltd 2020

All appliances use energy, and energy usage typically generates carbon emissions. **Fisher & Paykel Appliances' In-use Energy Carbon Emissions Estimate** indicates carbon emissions from a product's in-use energy. This is calculated either annually or per cycle, using the product's market-specific energy label energy consumption data multiplied by the carbon emissions factor for energy in your country or region.

Our In-use Energy Carbon Emissions Estimate is designed to assist customers in making informed purchasing decisions when comparing different Fisher & Paykel products. For example, a heat pump dryer typically has a lower In-use Energy Carbon Emissions Estimate than a vented dryer.



**A PEACE OF MIND SALE**  
24 Hours 7 Days a Week Customer Support

T 1.888.936.7872 W [www.fisherpaykel.com](http://www.fisherpaykel.com)

Other product downloads available at [fisherpaykel.com](http://fisherpaykel.com)

- [↓ DWG](#)
- [↓ DXF](#)
- [↓ Installation Guide \(English\)](#)
- [↓ Installation Guide \(Canadian French\)](#)
- [↓ Installation Guide \(Spanish\)](#)
- [↓ Planning Guide \(English\)](#)
- [↓ Planning Guide \(Canadian French\)](#)
- [↓ Planning Guide \(Spanish\)](#)
- [↓ Revit](#)
- [↓ Rhino](#)
- [↓ Right To Repair Declaration \(English, Canadian French\)](#)
- [↓ SketchUp](#)
- [↓ User Guide \(English\)](#)
- [↓ User Guide \(Canadian French\)](#)
- [↓ User Guide \(Spanish\)](#)

Where applicable: