

Freestanding French Door Refrigerator Freezer, 90cm, 569L, Ice & Water

Series 7 | Contemporary

Black Stainless Steel | French hinge

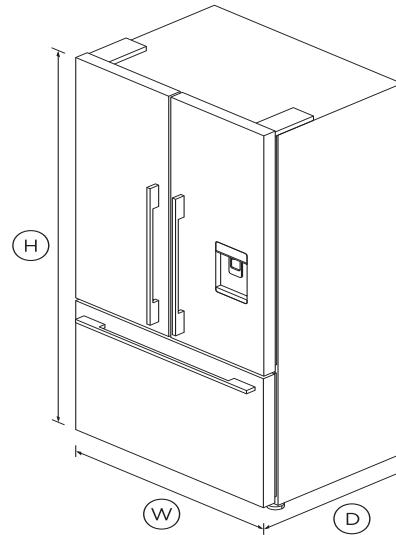


Our largest capacity French Door model has intuitive, flexible storage space in a striking black stainless steel finish.

- ActiveSmart™ technology helps keep food fresher for longer by constantly maintaining the ideal temperature.
- Spacious bottom freezer with full extension drawer gives easy access to frozen goods

DIMENSIONS

| | |
|--------|--------|
| Height | 1790mm |
| Width | 900mm |
| Depth | 695mm |



FEATURES & BENEFITS

ACTIVESMART™ FOODCARE

ActiveSmart™ Foodcare learns how you live. It's the technology that understands how you use your refrigerator and adjusts the temperature, airflow and humidity inside to help keep food fresher for longer.

EASY TO CLEAN

No more dirty marks with our EZKleen feature for stainless steel fridges. Anti-fingerprint coating means you simply wipe clean any finger marks. Spill-safe secure glass shelves easily capture

any drips or leaks.

HUMIDITY CONTROL

Your fruit and veges need different environments. The humidity control slides in each storage bin create a microclimate that helps keep food fresher for longer.

ICE MAKER

Fresh ice is always available for you in a dedicated freezer bin. Simply turn it off to free up freezer space or, during busy times, boost ice production by up to 30%.

DESIGN QUALITY

Our refrigerators are designed and built using the best quality materials. We use real stainless steel, and solid glass for the interior shelving.

SIMPLE STORAGE

This refrigerator is designed to make it simple for you to store, access and remove food. Storage bins give you full access inside when they're pulled open and can be easily removed to clean. Our flexible shelving also gives you more storage options.

CLEVER ENERGY

Your refrigerator adapts to daily use by cooling and defrosting only when needed. This means it uses the energy it needs without compromising on food care.

SPECIFICATIONS

Accessories

Matching Replacement Water **FWC3 (made after 2018),**

Capacity

| | |
|---------------------|------|
| Volume | 569L |
| Volume freezer | 152L |
| Volume refrigerator | 417L |

Consumption

| | |
|---------------|--------------------|
| Energy rating | 3.5 star |
| Energy usage | 453kWh/year |

Features

| | |
|----------------------------|---------------------------|
| Adjustable door shelves | 6 |
| Adjustable glass shelves | 2 |
| Covered door shelves | 2 |
| Deli storage bins | 1 |
| Door alarm | • |
| Front levelling feet | • |
| Fruit and vegetable bins | 2 |
| LED lighting | • |
| Rear rollers | • |
| SmartTouch control panel | • |
| Stackable bottle holders | 4 |
| Ultra slim water dispenser | • |
| Water Filter | Part number 836848 |

Freezer Features

| | |
|---------------------|----------|
| Automatic ice maker | • |
| Bottle chill | • |
| Door alarm | • |
| Fast freeze | • |
| Freezer bins | 2 |
| Ice Boost | • |
| Ice bin and scoop | • |
| LED lighting | • |

Performance

| | |
|--------------------------------|----------|
| ActiveSmart™ Foodcare | • |
| Adaptive defrost | • |
| Frost free | • |
| Frost free freezer | • |
| Inverter controlled compressor | • |
| R600a refrigerant | • |

Product dimensions

| | |
|--------------------------|---------------|
| Depth | 695mm |
| Height | 1790mm |
| Height to top of cabinet | 1790mm |
| Width | 900mm |

Warranty

| | |
|--------------------------|---------------------------|
| Parts and labour | 2 years |
| Sealed system parts only | additional 3 years |

| | |
|-----|--------------|
| SKU | 26493 |
|-----|--------------|

The product dimensions and specifications in this page apply to the specific product and model. Under our policy of continuous improvement, these dimensions and specifications may change at any time. You should therefore check with Fisher & Paykel's Customer Care Centre to ensure this page correctly describes the model currently available. ? Fisher & Paykel Appliances Ltd 2020

Other product downloads available at fisherpaykel.com

- [↓](#) Service & Warranty
- [↓](#) Energy Label
- [↓](#) User & Installation Guide ActiveSmart Refrigerator
- [↓](#) Installation Guide - Water Filter Replacement
- [↓](#) Data Sheet Freestanding French Door Fridge Freezer

**A PEACE OF MIND SALE****24 Hours 7 Days a Week Customer Support****T 1300 650 590 Wwww.fisherpaykel.com**