

Wall Cooker Hood, 60cm, Box Chimney

Series 7 | Contemporary

Stainless Steel and Glass

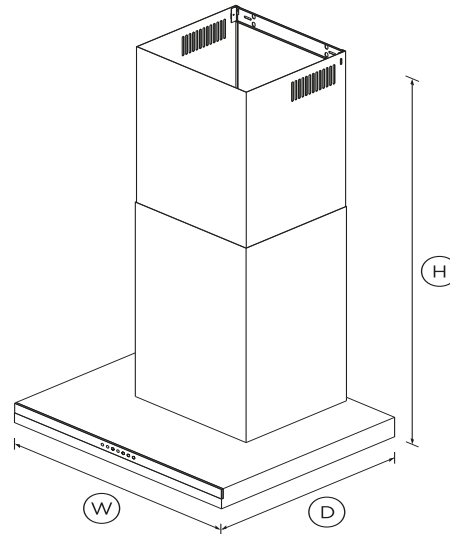


The wall chimney cooker hood has a contemporary styling, extracting steam, grease and cooking odours quietly and efficiently.

- With four fan speeds, plus boost function, select the perfect extraction rate for your cooking
- Powerful maximum air movement 617m³/hr
- Dishwasher safe filters that are easy to remove and clean

DIMENSIONS

Height	600-1035mm
Width	600mm
Depth	500mm



FEATURES & BENEFITS

Effective And Quiet

This cooker hood features four fan speeds, plus a boost function, providing powerful extraction to quickly remove odours and steam. As odours can linger in the kitchen well after cooking is finished, the timer keeps the rangehood working for up to 15 minutes before automatically turning off.

Simple To Use

This Fisher & Paykel chimney cooker hood features a sleek and easy to use touch-control panel. Low energy, dimmable LED

lights provide superb illumination over the entire cooking surface.

Easy cleaning

Designed for simple removal, the filters are easy to clean and dishwasher safe. The stainless steel mesh cover just needs a quick wipe to keep clean. An alert reminds you when to clean the filter to ensure you get the best performance out of your cooker hood.

Designed To Match

This wall cooker hood features sleek black glass and stainless steel styling which will complement any contemporary kitchen and is designed to match the rest of Fisher & Paykel's kitchen appliance family.

SPECIFICATIONS

Accessories

Aluminium filter	791938
------------------	--------

Accessories (sold separately)

Chimney extension	792492
Eave ducting kit	RHK150E
Light bulb	792556
Recirculation carbon filter	792481
Recirculation diverter	792560
Side wall ducting kit	RHK150W

Consumption

Energy rating	B
Energy usage	47kWh/year
In-use energy carbon	9.3kgCO ₂ e/year

Fan ratings

Maximum air movement	617m ³ /hr
Maximum pressured air	617m ³ /hr
Maximum sound rating	69dB

Installation and cleaning

Dishwasher safe filters	2
Ducted	Top extraction
Recirculation	Optional - top extraction
Stainless steel filter cover	•
Two piece height adjustable	•

Performance

Airflow balancing plate	•
Extraction type	Surface
Fan speeds	4
Filter type	Mesh with Stainless Steel filter
Number of filters	2

Power requirements

Lighting power	7W
Motor power	130W
Rated current	3A
Supply frequency	50Hz
Supply voltage	220-240V
Total Power	137W

Product dimensions

Depth	500mm
Height	600-1035mm

Width	600mm
-------	-------

Product information

Control type	Capacitive touch
--------------	------------------

Ventilation features

Dimmable lights	•
Light type	LED
Timer function	•

Warranty

Parts and labour	5 years
------------------	---------

SKU	50119
-----	-------

The product dimensions and specifications in this page apply to the specific product and model. Under our policy of continuous improvement, these dimensions and specifications may change at any time. You should therefore check with Fisher & Paykel's Customer Care Centre to ensure this page correctly describes the model currently available. ? Fisher & Paykel Appliances Ltd 2020

Other product downloads available at fisherpaykel.com

- [↓](#) Service & Warranty
- [↓](#) User Guide
- [↓](#) Installation Guide
- [↓](#) Data Sheet Wall Rangehood



A PEACE OF MIND SALE

24 Hours 7 Days a Week Customer Support

T 08000 886 605 **W**www.fisherpaykel.com