

# Vented Dryer, 7kg

Series 5 | Vented

White

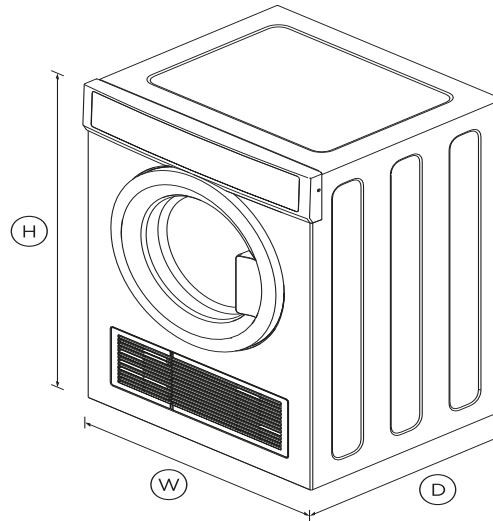


Dry your clothes efficiently without over drying, with multiple ways to install and vent.

- Auto-sensing detects moisture level to prevent under or over drying
- Six fabric care cycles including Freshen, Heavy and Delicate
- Full reverse tumbling to help dry garments quicker and more evenly
- Drying rack for items that are too precious to tumble

## DIMENSIONS

Height	830mm
Width	600mm
Depth	575mm



## FEATURES & BENEFITS

### Auto-sensing technology

Auto-sensing prevents over-drying by sensing moisture levels inside the drum and shutting off automatically. This helps clothes last for longer and reduces energy consumption.

### Cares for clothes

This dryer has a cycle to suit every type of load including Delicate, Heavy and Freshen. Select a cycle with the easy to use SmartTouch™ controls.

### Simple installation

Vent out either the front or the back of this dryer. A wall mounting kit is included and the control panel can be inverted easily.

### Drying rack

This model comes with a drying rack, perfect for those items that are too precious to tumble.

### Reverse tumbling

Reverse tumbling alternates direction to help garments move freely so they dry quicker and more evenly.

### Easy loading

The robust dryer door features die cast metal hinges that open to a full 180° for easy access and loading.

## SPECIFICATIONS

### Consumption

Energy rating	2 star
Energy usage	315kWh/year
In-use energy carbon	205.2kgCO2e/year

### Dry Cycles

Air Dry	•
Bulky	•
Delicate	•
Easy Iron	•
Everyday	•
Heavy	•
Number of cycles	10
Rack dry	•
Sports	•
Time dry	•

### Features

Child/Keylock	•
---------------	---

- Clean door lint filter reminder •
- Drying rack •
- Easy access lint filter •
- Easy invert panel •
- End of cycle signal •
- Progress indicator •
- Time to go •
- Wrinkle free option •

specifications may change at any time. You should therefore check with Fisher & Paykel's Customer Care Centre to ensure this page correctly describes the model currently available. ? Fisher & Paykel Appliances Ltd 2020

**Performance**

- Auto sensing •
- Choice of front or rear venting •
- Dryness settings 5
- Reverse tumbling •
- Temperature settings 4
- Time dry 30,40,50... 150 mins

**Product dimensions**

- Depth 575mm
- Height 830mm
- Width 600mm






**Warranty**

- Parts and labour 2 years

SKU 92278

The product dimensions and specifications in this page apply to the specific product and model. Under our policy of continuous improvement, these dimensions and

**Other product downloads available at fisherpaykel.com**

-  User Guide
-  Service & Warranty
-  User Guide Vented Dryer
-  Energy Label Vented Dryer
-  Installation Guide



**A PEACE OF MIND SALE**

24 Hours 7 Days a Week Customer Support

T 1300 650 590 W www.fisherpaykel.com