

75cm Series 7 2 Burner Gas Cooktop, Natural Gas

Contemporary



All the essentials in a large cooktop, including dual wok burners for high heat cooking.

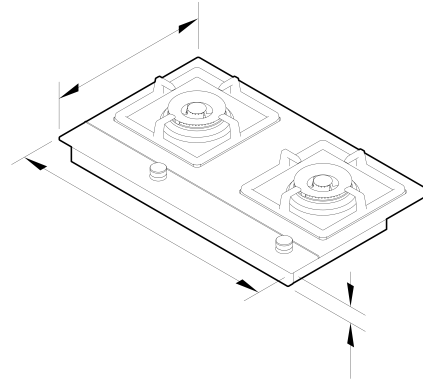
- Dual wok burners
- A flame-failure safety device; if a flame goes out, the gas turns off

DIMENSIONS

Height	59 mm
Width	750 mm

Depth

450 mm



FEATURES & BENEFITS

Precise Control

The consistent flame and heat distribution of the burners, including the wok burner, combined with highly responsive dials offer precise heat control. Perfect a slow simmer for sauces or an intense heat for searing steaks.

Easy Handling

With flat cast-iron grates, pots and pans can easily be slid across elements, coming in handy in busy cooking environments.

Safe And Sound

The flame failure safety device automatically turns off the gas if the flame is accidentally extinguished.

Complementary Design

The brushed stainless steel and polished metal trim has been designed for durability but also provides a modern, stylish finish, matching the Fisher & Paykel family of kitchen appliances.

Easy Cleaning

The stainless steel component is easily accessible and quick to clean. Cast iron trivets provide a durable and stable cooking platform, with rubber feet to prevent them from scratching the cooktop.

Handy Accessories

This cooktop comes with a small pan support and wok stand to complement different cooking styles.

SPECIFICATIONS

Accessories (included)

Small pan support	•
Wok stand	true

Burners

Number of burners	2
-------------------	---

Cleaning

Easy clean cooktop design	•
Quick component removal	•

Consumption

Energy rating	Grade 2
Heating efficiency	59%

Controls

- Dual wok control •
- Ergonomic control dials •
- Laser etched graphics •

The product dimensions and specifications in this page apply to the specific product and model. Under our policy of continuous improvement, these dimensions and specifications may change at any time. You should therefore check with Fisher & Paykel's Customer Care Centre to ensure this page correctly describes the model currently available. © Fisher & Paykel Appliances Ltd 2020

Performance

- Cast iron trivets •
- Electronic ignition •
- Quick connect gas valves •

Other product downloads available at fisherpaykel.com

- [↓ Installation Guide \(Chinese\)](#)
- [↓ User Guide \(Chinese\)](#)

Product dimensions

Depth	450 mm
Height	59 mm
Width	750 mm

Where applicable:

All appliances use energy, and energy usage typically generates carbon emissions. **Fisher & Paykel Appliances' In-use Energy Carbon Emissions Estimate** indicates carbon emissions from a product's in-use energy. This is calculated either annually or per cycle, using the product's market-specific energy label energy consumption data multiplied by the carbon emissions factor for energy in your country or region.

Safety

- Flame failure system •

Our In-use Energy Carbon Emissions Estimate is designed to assist customers in making informed purchasing decisions when comparing different Fisher & Paykel products. For example, a heat pump dryer typically has a lower In-use Energy Carbon Emissions Estimate than a vented dryer.

Zones

Number of zones	2
-----------------	----------

SKU	83043
-----	--------------