

FISHER & PAYKEL

PRELIMINARY SPECIFICATION GUIDE

DOUBLE DISHDRAWER™ DISHWASHER



OVERVIEW

Our built-under DishDrawer™ Dishwashers are installed flush under the benchtop with the option of a custom kickstrip, ensuring minimal gaps. Designed to match the Fisher & Paykel family of kitchen appliances with recessed handles for a streamlined look. With a combination of clever technology and simple mechanics, this series 7 DishDrawer™ Dishwasher ensures greater reliability and better wash performance.

* Energy and water rating to be confirmed

* Noise subject to change

MODELS

**Recessed Handle Double DishDrawer 60cm,
Stainless Steel door panel, Front User Interface**

DD60D2NX9, DD60D2HNX9*

**Recessed Handle Double DishDrawer 60cm,
Black Stainless Steel door panel, Front User Interface**

DD60D2NB9, DD60D2HNB9*

* Only available in some markets

SERIES & STYLE

Series 7

Contemporary

FEATURES

- ① Designed to be installed under the benchtop, with recessed handles for a seamless look
- ② Flush fit with cabinetry with the option to add a custom kickstrip, ensuring minimal gaps
- ③ Intuitive control panel with capacitive touch controls
- ④ Each drawer operates independently and holds a true half load for small, fast washing
- ⑤ Seven wash programs, as well as additional Quick, Sanitize and Dry+ modifiers
- ⑥ Running at a low decibel rating, this dishwasher does the job without making a fuss
- ⑦ Flexible racking allows for shelf customisation to suit
- ⑧ Sanitize option provides extra protection, killing 99.9% of bacteria in the final rinse
- ⑨ Wi-Fi enabled and works with the SmartHQ™ app for remote control and notifications

ACCESSORIES

- ① Cutlery basket included

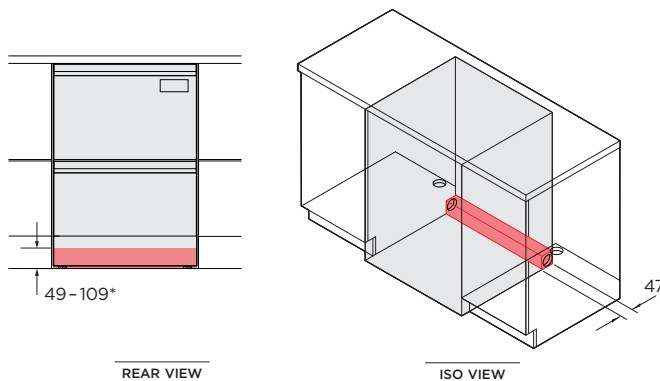
FISHER & PAYKEL

PRELIMINARY SPECIFICATION GUIDE

DOUBLE DISHDRAWER™ DISHWASHER

SPECIFICATIONS

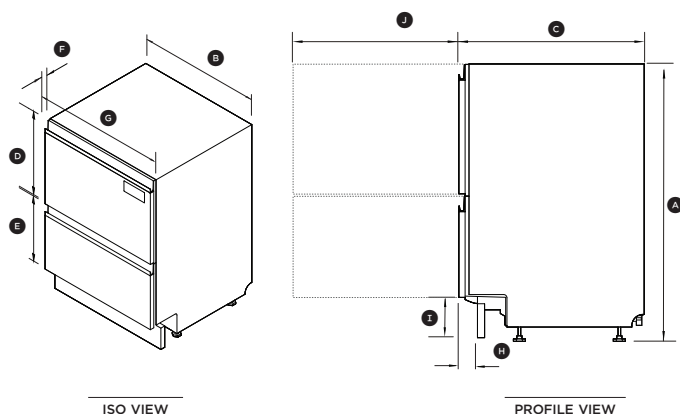
| | |
|-------------------|---|
| Model No. | DD60D2NX9, DD60D2HNX9 DD60D2NB9, DD60D2HNB9 |
| Dimensions | H 820 - 880mm W 599mm D 573mm |
| Weight | 54kg |
| Electrical | |
| Supply | 220-240VAC, 50Hz |
| Service | 8.5A |
| Outlet | 3-prong grounding type |
| Plumbing | |
| Supply | 3/4" BSP (GB20) |
| Pressure | Max. 1 MPa (145psi), min. 0.03 MPa (4.3psi) recommended cold. Max 60°C |



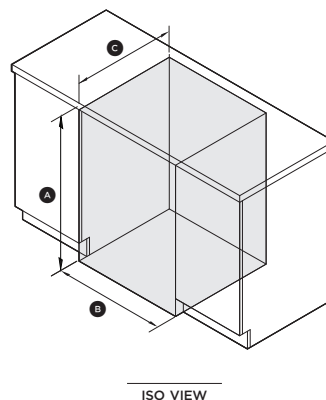
Service outlet at rear extends both sides, hoses and cords can be routed to either or both sides. Units shown in mm.

*depending on adjustment of leveling feet

PRODUCT DIMENSIONS



CAVITY DIMENSIONS: STANDARD INSTALLATION



| | mm |
|--|---------|
| (A) Overall height* | 820-880 |
| (B) Overall width | 599 |
| (C) Overall depth** | 573 |
| (D) Height of upper front panel | 398 |
| (E) Height of lower front panel | 309 |
| (F) Depth of front panels | 20 |
| (G) Width of front panel | 595 |
| (H) Depth of toe kick recess | 40-55 |
| (I) Height from floor to front panel base* | 100-160 |
| (J) Depth of open drawer | 547 |

| | mm |
|---------------------|----------|
| (A) Overall height* | min 820 |
| (B) Overall width | 600 |
| (C) Overall depth | min. 580 |

*depending on adjustment of levelling feet

*depending on adjustment of levelling feet

**Including front door panel