

Combination Microwave Oven, 60cm

Series 9 | Minimal

Black

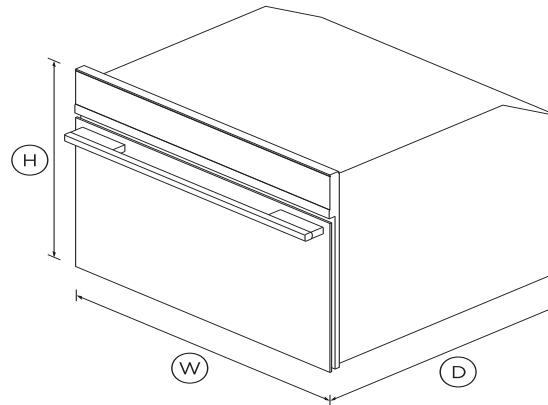


A flexible appliance that pairs the speed of microwave cooking with oven technology, which can crisp and brown as it cooks.

- 37L total capacity
- Nine cooking functions including Fan Forced, Fan Grill & Defrost
- Use the optional trim kit to integrate this microwave with your cabinetry
- Part of our suite of companion products, designed to match aesthetically for flexible configurations

DIMENSIONS

Height	458mm
Width	596mm
Depth	562mm



FEATURES & BENEFITS

Sized to suit

A compact 46cm height means this Combination Microwave Oven can be placed almost anywhere. The companion products share the same dimensions and can be installed in multiple configurations to suit your kitchen design and preference.

Cooking flexibility

Choice of nine cooking modes including Fan Forced and Grill giving you the best of microwave and convection oven technology.

Easy to use

The intuitive touch display shows you all the information you need, allowing you to easily program in your desired cooking mode and duration.

Beauty of choice

With the choice of a stylish stainless steel or elegant black trim, our companion products help you achieve a coherent kitchen aesthetic that suits your design style.

EASY CLEANING

This Combination Microwave Oven has formed side racks and a stainless steel interior that are easy to clean.

Safe and sound

The CoolTouch door is safe to touch from the outside, protecting your hands and the surrounding cabinetry.

SPECIFICATIONS

Accessories

Baking pan	1
Glass turntable	1
Wire shelf	1

Capacity

Shelf positions	3
Total capacity	37L
Usable capacity	33L

Cleaning

Easy clean stainless steel	•
Easy to clean formed side	•

Consumption

Microwave energy	1.65kWh
------------------	---------

Controls

Audio feedback	•
Automatic cooking/minute	•
Celsius/Fahrenheit	•
Electronic capacitive touch	•
Electronic oven control	•
Intuitive touchscreen display	•
Multi-language display	UK English, US English,

Functions

Defrost by time	•
Defrost by weight	•
Fan forced	•
Fan grill	•
Grill	•
Microwave + grill	•
Microwave + ring	•
Microwave cooking	•
Number of functions	9
Ring + grill	•

Performance

Grill power	1500W
Microwave power	900W
Microwave power levels	6

Power requirements

Amperage	15A
----------	-----

Supply frequency	50Hz
------------------	------

Supply voltage	230V
----------------	------

Product dimensions

Depth	562mm
Height	458mm
Width	596mm

Safety

Control panel key lock	•
CoolTouch door	•

Warranty

Parts and labour	2 years
------------------	---------

SKU	81946
-----	-------

The product dimensions and specifications in this page apply to the specific product and model. Under our policy of continuous improvement, these dimensions and specifications may change at any time. You should therefore check with Fisher & Paykel's Customer Care Centre to ensure this page correctly describes the model currently available. ? Fisher & Paykel Appliances Ltd 2020

**A PEACE OF MIND SALE****24 Hours 7 Days a Week Customer Support****T 1300 650 590 W**www.fisherpaykel.com