

# 48" Series 9 Professional 6 Burner + Griddle Dual Fuel Range, Natural Gas

Professional

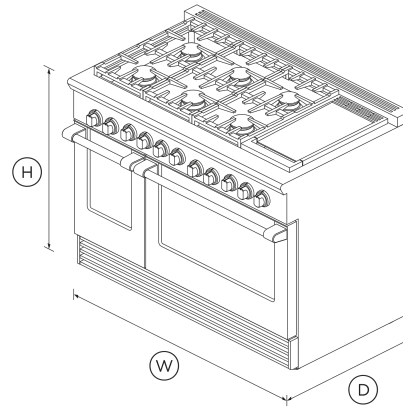


A striking addition to your kitchen, with six gas burners, griddle, and two convection ovens for a combined capacity of 6.9 cu ft.

- Top burner heat of 23,500 BTU, for seriously fast boiling
- 6.9 cu ft total oven capacity across two oven cavities
- Non-tip full-extension shelves in main cavity for safe removal of hot dishes

## DIMENSIONS

Height	35 3/4 - 36 3/4 "
Width	47 7/8 "
Depth	29 1/8 "



## FEATURES & BENEFITS

### Cooktop Power

Sealed Dual Flow Burners™ deliver cooktop power up to 23,500 BTU (NG models) for seriously fast boiling right down to a precise 140°F full surface simmer with the gentlest of flames.

### Total Control

Precise control across high and low settings is delivered through the halo-illuminated cooktop dials. The ovens have true convection and electronic oven control for precise and consistent temperatures.

### Consistent broiling

The Dual Fuel Range broiler provides an even heat that covers a very large surface area — perfect for browning a fully loaded oven tray.

### Easy to clean

The Dual Fuel Range oven has a self-cleaning function and removable side racks. The cooktop has sealed burners and an encapsulated cooking surface with a commercial-style stainless steel finish.

### Instant Visibility

Control dials have halo-illumination glowing white - heating up; orange - temperature reached; red - self-cleaning mode. The oven is illuminated by two powerful incandescent lights.

### Cooking flexibility

The cooktop is designed for easy access to any burner with grates you can smoothly slide pots across. The oven is large enough to hold full size baking sheets.

## SPECIFICATIONS

### Accessories (sold separately)

Square handle option	AH-R48
----------------------	--------

### Burner ratings

Maximum burner power	23500 BTU
Power back centre	18500BTU
Power back left	18500BTU
Power back right	18500BTU
Power front centre	18500BTU
Power front left	23500BTU
Power front right	18500BTU
Power griddle	18000BTU

Total cooktop power	<b>134000 BTU</b>	Bake	•	<b>Rangetop features</b>	
		Broil	•	Sealed range top	•
		Clean	•	Vent trim included	•
		Convection bake	•		
<b>Capacity</b>		Convection broil	•		
Shelf positions (main oven)	<b>5</b>	Number of oven functions	<b>6</b>		
Shelf positions (second oven)	<b>5</b>	Self cleaning	•	<b>Recommended Back Guards Ventilation</b>	
		True convection	•	Combustible situation	<b>BGRV2-3048H</b>
				Minimum CFM	<b>1200</b>
<b>Cleaning</b>				Non combustibile situation	<b>BGRV2-3048 / BGRV2-1248</b>
Pyrolytic self-clean	•	<b>Oven features</b>		Recommended hood	<b>HCB48-12_N (48" Professional Range Hood, Dual Blower)</b>
		Auto re-ignition system	•		
<b>Controls</b>					
Electric circuit	<b>4</b>	<b>Oven performance</b>		<b>Safety</b>	
Metal illuminated dials	•	Bake power	<b>4600</b>	ADA compliant	•
		Broil	<b>3600 W</b>	Full extension telescopic sliding shelves	•
		Main oven - True convection power	<b>2500 W</b>		
<b>Gas Requirements</b>					
Fitting and pipe	<b>½ NPT, min. ⅝" flex line</b>	<b>Power requirements</b>		<b>Secondary oven features</b>	
Supply Pressure (natural gas)	<b>6" to 9" W.C</b>	Amperage	<b>50 A</b>	¾ Extension racks	<b>2</b>
		Rated current	<b>50 A</b>	Broil	•
		Supply frequency	<b>60 Hz</b>	Concealed element	•
<b>Main oven features</b>				Electronic oven control	•
Concealed Element	•	<b>Product dimensions</b>		Internal light	•
Electronic oven control	•	Depth	<b>29 1/8 "</b>		
Full extension telescopic racks	•	Depth (excluding handles)	<b>2918 mm</b>	<b>Secondary oven functions</b>	
Internal light	•	Height	<b>35 3/4 - 36 3/4 "</b>	Bake	•
Large broil pan	•	Width	<b>47 7/8 "</b>	Number of secondary oven functions	<b>3</b>
<b>Main oven functions</b>					

Proof	•
<hr/>	
SKU	71362
<hr/>	

Our In-use Energy Carbon Emissions Estimate is designed to assist customers in making informed purchasing decisions when comparing different Fisher & Paykel products. For example, a heat pump dryer typically has a lower In-use Energy Carbon Emissions Estimate than a vented dryer.



**A PEACE OF MIND SALE**  
24 Hours 7 Days a Week Customer Support

T 1.888.936.7872 W [www.fisherpaykel.com](http://www.fisherpaykel.com)

The product dimensions and specifications in this page apply to the specific product and model. Under our policy of continuous improvement, these dimensions and specifications may change at any time. You should therefore check with Fisher & Paykel's Customer Care Centre to ensure this page correctly describes the model currently available. © Fisher & Paykel Appliances Ltd 2020

#### Other product downloads available at [fisherpaykel.com](http://fisherpaykel.com)

- [↓ DXF](#)
- [↓ Data Sheet \(English\)](#)
- [↓ DWG](#)
- [↓ DXF](#)
- [↓ Data Sheet \(English\)](#)
- [↓ Installation Guide \(English, Canadian French\)](#)
- [↓ Planning Guide \(English\)](#)
- [↓ Right To Repair Declaration \(English, Canadian French\)](#)
- [↓ User Guide \(English\)](#)
- [↓ User Guide \(Canadian French\)](#)

#### Where applicable:

All appliances use energy, and energy usage typically generates carbon emissions. **Fisher & Paykel Appliances' In-use Energy Carbon Emissions Estimate** indicates carbon emissions from a product's in-use energy. This is calculated either annually or per cycle, using the product's market-specific energy label energy consumption data multiplied by the carbon emissions factor for energy in your country or region.