

84" HIGH INTEGRATED REFRIGERATION

PLANNING GUIDE

SERIES 11

18" | RS1884FRJE | RS1884FLJE

24" | RS2484SRHE | RS2484SLHE | RS2484WRUE | RS2484WLUE |
RS2484FRJE | RS2484FLJE

24" WINE CABINET | RS2484VR2K | RS2484VL2K

30" REFRIGERATION | RS3084SRHE | RS3084SLHE | RS3084WRUE |
RS3084WLUE | RS3084FRJE | RS3084FLJE

36" REFRIGERATION | RS3684WRUVE | RS3684WLUVE | RS3684AUVE

FISHER & PAYKEL

INTRODUCTION

This comprehensive planning guide provides you with the framework and tools to achieve your desired design outcome with Fisher & Paykel appliances. In this guide, you will find a range of conceptual, detailed, and dimensional product information to bring your ideas to life and create spaces that truly reflect your vision.

SUPPORT

For additional design planning and installation support please contact the Fisher & Paykel design support team.
designsupport@fisherpaykel.com

NOTES

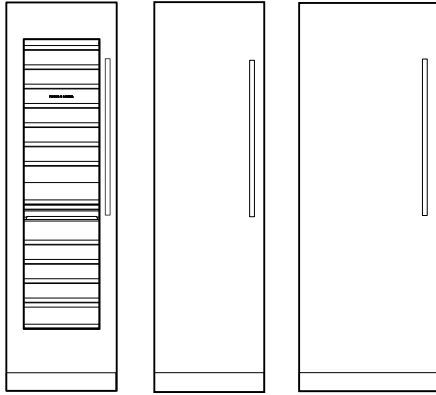
The models shown in this Planning Guide may not be available in all markets and are subject to change at any time. Refer to our website fisherpaykel.com for the latest document version. Product specifications may vary from those shown. This Planning Guide should not be used as installation guidance for any product. Specific installation guidance will be available with the product on delivery and on our website.

CONTENTS

CONCEPT DESIGN	PAGE	DEVELOPED AND DETAILED DESIGN	PAGE	DEVELOPED AND DETAILED DESIGN	PAGE
PRODUCT OVERVIEW		DATA SHEETS		HINGE ARTICULATION	
84" Refrigeration overview	4	RS1884FRJE, RS1884FLJE	13	KO5 Hinge	26
		RS6121 Single door models	14	Panel styles	27
SPECIFICATION GUIDE		RS2484WRUE, RS2484WLUE	15		
Integrated refrigeration overview	6	RS2484VL2K, RS2484VR2K	16	CUSTOM PANEL PREPARATION	
French door refrigerator freezer	7	RS7621 Single door models	17	Single door model RS1884FRJE, RS1884FLJE	29
		RS3084WRUE, RS3084WLUE	18	Single door models RS2484, RS3084	30
ACCESSORIES		RS3684WRUVE, RS3684WLUVE	19	Wine cabinet	31
Handles	9	RS3684AUVE	20	Refrigerator freezers	32
Handle fixing holes	10			French door refrigerator freezer	33
Stainless steel panels	11	PLANNING CONSIDERATIONS		SERVICES	
		Cavity specifications	22	18" Freezer	35
		Door swing clearances	23	24" Models	36
		Custom toe kicks - low and high	24	30" Models	37
				36" Models	38

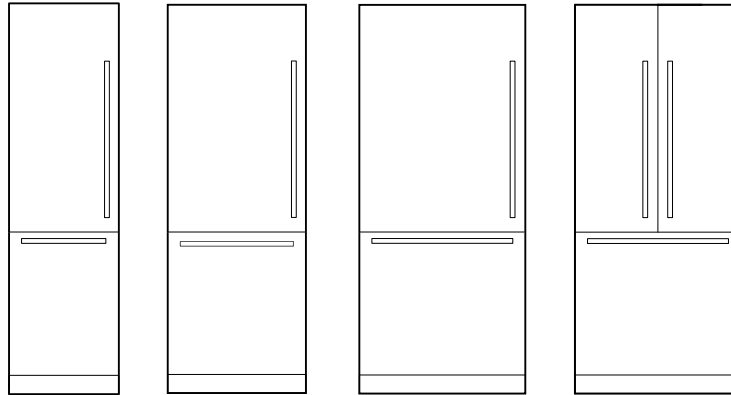
PRODUCT OVERVIEW

REFRIGERATION



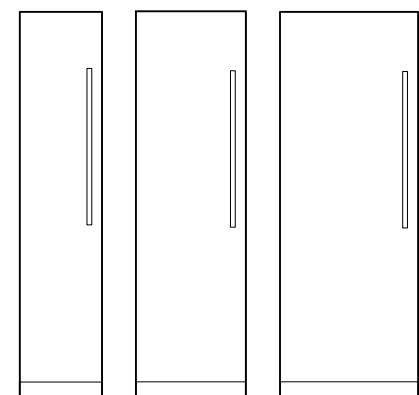
① ② ③

REFRIGERATOR FREEZER



④ ⑤ ⑥ ⑦

FREEZER



⑧ ⑨ ⑩

PRODUCT	MODEL	PRODUCT	MODEL	PRODUCT	MODEL
	Left hand hinge Right hand hinge		Left hand hinge Right hand hinge		Left hand hinge Right hand hinge
① 24" Wine Cabinet 91 bottle capacity, optional display capability. Two independent temperature zones, four wine modes.	RS2484VL2K1 RS2484VR2K1	④ 24" Integrated Refrigerator-Freezer Custom panel ready, 12.1cu capacity, internal ice maker and water dispenser.	RS2484WLUE1 RS2484WRUE	⑧ 18" Freezer with Ice Custom panel ready, 7.8cu, and internal ice maker. zones, four wine modes.	RS1884FLJE RS1884FRJE
② 24" Integrated Refrigerator Custom panel ready, 12.4cu capacity with internal water dispenser.	RS2484SLHE RS2484SRHE	⑤ 30" Integrated Refrigerator-Freezer Custom panel ready, 15.9cu capacity, internal ice maker and water dispenser.	RS3084WLUE RS3084WRUE	⑨ 24" Integrated Freezer with ice Custom panel ready, 11.9cu capacity and internal ice maker and water dispenser.	RS2484FLJE RS2484FRJE
③ 30" Integrated Refrigerator Custom panel ready, 16.3cu capacity with internal water dispenser.	RS3084SLHE RS3084SRHE	⑥ 36" Integrated Refrigerator-Freezer Custom panel ready, 19.2cu capacity, internal ice maker and water dispenser.	RS3684WLUEVE RS3684WRUVE	⑩ 30" Integrated Refrigerator Custom panel ready, 15.6cu capacity with internal water dispenser.	RS3084FLJE RS3084FRJE
		⑦ 36" Integrated Refrigerator-Freezer, French Door Custom panel ready, 19.2cu capacity, internal ice maker and water dispenser.	RS3684AUVE1		

The models shown in this Planning Guide may not be available in all markets and are subject to change at any time. Product specifications may vary from those shown. This Planning Guide should not be used as installation guidance for any product. Further information is required to safely and correctly install the products featured here. Specific installation guidance will be available with the product on delivery and on our website fisherpaykel.com

SPECIFICATION GUIDE



RS2484FRJE, RS2484SRHE - with Custom Door Panel



RS3684WRUVE - with Custom Door Panel

OVERVIEW

Experience the pinnacle of refrigeration design with our most advanced Columns. Featuring elegant interiors and options for ice and water, these models embody premium functionality and style. Engineered for energy efficiency, they seamlessly integrate alone or paired. Available in various sizes, they ensure a perfect fit for any kitchen.

FEATURES

- ① Premium interior for a refined look and feel, this model is the highlight of our Integrated Columns collection
- ② Designed for optimal energy performance and maximum efficiency
- ③ Mix and match columns, install separately or pair together
- ④ Seamless fit with only 1/8" gaps, featuring no visible hinges or grilles
- ⑤ Customize with kitchen cabinetry or a stainless steel door panel accessory
- ⑥ Two Variable Temperature Zones with options for Fridge, Pantry, Chill, Freeze, Soft Freeze, and Deep Freeze modes
- ⑦ Intuitive, easy-to-use touchscreen interface with Wi-Fi compatibility
- ⑧ Flexible installation with left or right hinge options
- ⑨ Joining kit for pairing units; front adjustable levelling feet for easy installation
- ⑩ ActiveSmart™ technology maintains ideal temperature for fresher food

PRODUCT OVERVIEW

REFRIGERATION

RS2484SRHE, RS2484SLHE
Integrated Refrigerator, 24", Water

RS3084SRHE, RS3084SLHE
Integrated Refrigerator, 30", Water

FREEZER

RS1884FRJE, RS1884FLJE
Integrated Freezer, 18", Ice

RS2484FRJ1, RS2484FLJE
Integrated Freezer, 24", Ice

RS3084FRJE, RS3084FLJE
Integrated Freezer, 30", Ice

REFRIGERATOR FREEZER

RS2484WRUE, RS2484WLUE
Integrated Refrigerator Freezer, 24", Ice & Water

RS3084WRUE, RS3084WLUE
Integrated Refrigerator Freezer, 30", Ice & Water

RS3684WRUVE, RS3684WLUVE
Integrated Refrigerator Freezer, 36", Ice & Water

RS3684WRUVE, RS3684WLUVE
Integrated Refrigerator Freezer, 36", Ice & Water

WINE CABINET

RS2484VR2K, RS2484VL2K
Integrated Wine Cabinet, 24"

The models shown in this Planning Guide may not be available in all markets and are subject to change at any time. Product specifications may vary from those shown. This Planning Guide should not be used as installation guidance for any product. Further information is required to safely and correctly install the products featured here. Specific installation guidance will be available with the product on delivery and on our website fisherpaykel.com



OVERVIEW

Experience the pinnacle of refrigeration design with our most advanced model. Featuring an elegant interior, this refrigerator embodies premium functionality and style.

Designed to optimise energy efficiency, it comes complete with an ice maker and internal water dispenser.

PRODUCT OVERVIEW

RS3684AUVE1

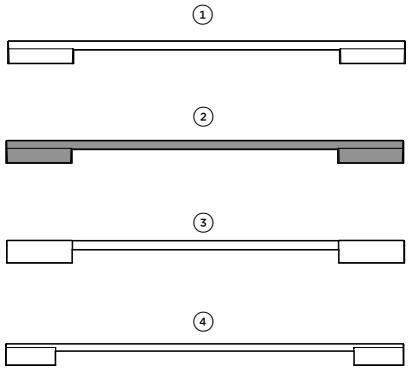
Integrated French Door Refrigerator Freezer, 36", Ice & Water

FEATURES

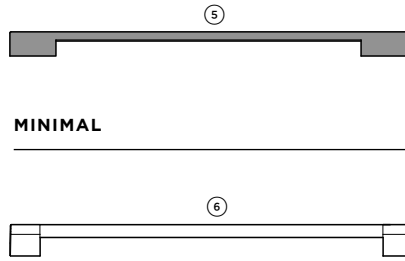
- ① Space-saving French Door design, ideal for island or galley style kitchens
- ② Designed for optimal energy performance and maximum efficiency
- ③ Enjoy convenient access to fresh, chilled water and ice with the internal water dispenser and ice maker
- ④ Seamless fit with only 1/8" gaps, featuring no visible hinges or grilles
- ⑤ Customize with kitchen cabinetry or a stainless steel door panel accessory
- ⑥ Variable Temperature Drawer with Chill, Fridge, and Pantry modes for optimal food care
- ⑦ Intuitive, easy-to-use touchscreen interface with Wi-Fi compatibility
- ⑧ The premium design and finish include a steel interior lining, full-extension metal shelf runners for easy access, robust glass shelving, and drawers with quality hinges designed for daily use
- ⑩ ActiveSmart™ technology maintains ideal temperature for fresher food

The models shown in this Planning Guide may not be available in all markets and are subject to change at any time. Product specifications may vary from those shown. This Planning Guide should not be used as installation guidance for any product. Further information is required to safely and correctly install the products featured here. Specific installation guidance will be available with the product on delivery and on our website fisherpaykel.com

ACCESSORIES



CONTEMPORARY

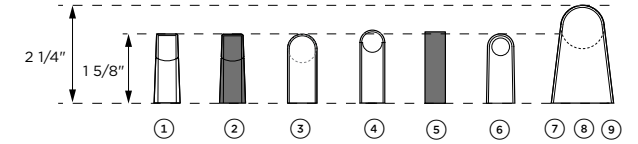


MINIMAL

CLASSIC



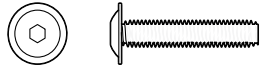
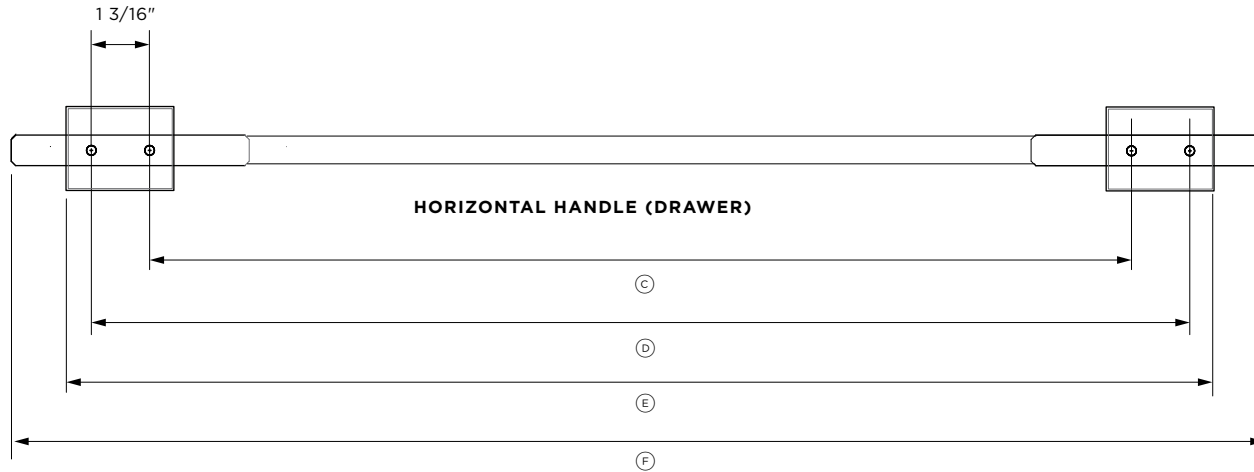
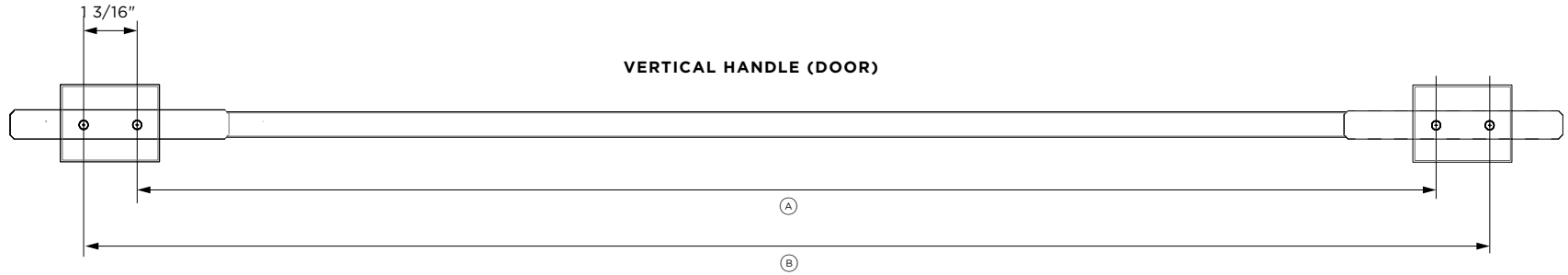
PROFESSIONAL ROUND



PROFILES

HANDLE	FINISH	SINGLE DOOR MODELS	24" REFRIGERATOR FREEZER	30" REFRIGERATOR FREEZER	36" REFRIGERATOR FREEZER	36" FRENCH DOOR
① Contemporary Square Fine	Aluminium	AHD5RDSF	AHD5RD2484W	AHD5RD3084W	AHD5RD3684W	
② Contemporary Square Fine	Black	AHD5RDSFB	AHD5RD2484WB	AHD5RD3084WB	AHD5RD3684WB	
③ Contemporary Round	Aluminium	AHSRD84	AHSRD2484W	AHSRD3084W	AHSRD3684W	
④ Contemporary Silver	Brushed silver	AHD7RDSFX	AHD7RD2484WX	AHD7RD3084WX	AHD7RD3084WX	AHD7RD3684AX
⑤ Minimal Black	Black	AHM1RDSFB	AHM1RD2484WB	AHM1RD3084WB	AHM1RD3684WB	AHM1RD3684AB
⑥ Classic Handle	Aluminium	AHCLRDSF	AHCLRD2484W	AHCLRD3084W	AHCLRD3684W	
⑦ Professional Round	Aluminium handle and standoff	AHC-RD84	AHCRD2484W	AHCRD7621W	AHCRD3684W	AHP3RD3684A
⑧ Professional Round	Aluminium handle and brass standoff	AHP3RDSFBA	AHP3RD2484WBA	AHP3RD3084WBA	AHP3RD3684WBA	AHP3RD3684ABA
⑨ Professional Round	Aluminium handle and dark copper standoff	AHP3RDSFDC	AHP3RD2484WDC	AHP3RD3084WDC	AHP3RD3684WDC	AHP3RD3684ADC

The models shown in this Planning Guide may not be available in all markets and are subject to change at any time. Product specifications may vary from those shown. This Planning Guide should not be used as installation guidance for any product. Further information is required to safely and correctly install the products featured here. Specific installation guidance will be available with the product on delivery and on our website fisherpaykel.com



SOCKET SCREWS

M5 X 25mm Pan Head Socket Screw (4 per handle) suits standard 3/4" (3/4") panel. Thicker panels may require counter-boring or longer screws.

SINGLE DOOR MODELS

VERTICAL HANDLE	in	mm
Ⓐ Length between outer screws	28 1/32	712
Ⓑ Length between screws	30 13/32	773

24" REFRIGERATOR FREEZER MODELS

VERTICAL HANDLE	in	mm
Ⓐ Length between inner screws	23 3/32	587
Ⓑ Length between outer screws	25 15/32	647
HORIZONTAL HANDLE		
Ⓒ Length between inner screws	13 29/32	353
Ⓓ Length between outer screws	16 9/32	414
Ⓔ Overall length - Professional Round	14 7/16	367
Ⓕ Overall length - Contemporary	19 7/16	494

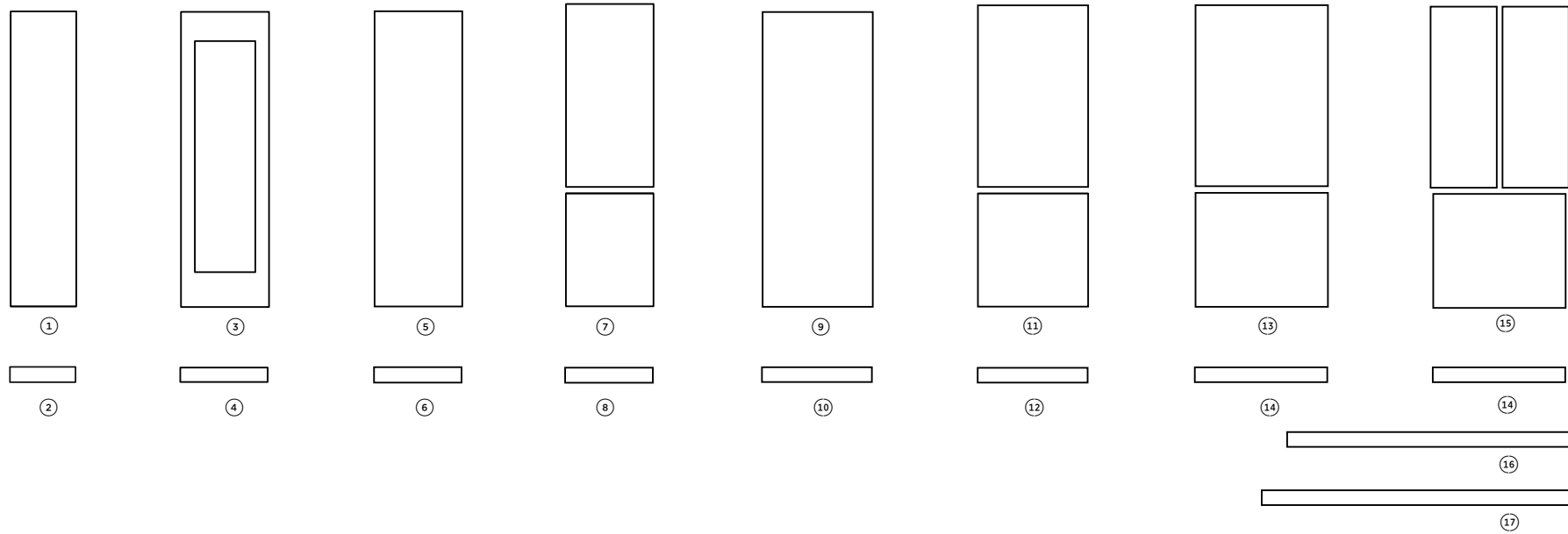
30" REFRIGERATOR FREEZER MODELS

VERTICAL HANDLE	in	mm
Ⓐ Length between inner screws	23 3/32	587
Ⓑ Length between outer screws	25 15/32	647
HORIZONTAL HANDLE		
Ⓒ Length between inner screws	19 29/32	506
Ⓓ Length between outer screws	22 9/32	566
Ⓔ Overall length - Professional Round	22 27/32	580
Ⓕ Overall length - Contemporary	22 7/16	646

36" REFRIGERATOR FREEZER MODELS

VERTICAL HANDLE	in	mm
Ⓐ Length between inner screws	23 3/32	587
Ⓑ Length between outer screws	25 15/32	647
HORIZONTAL HANDLE		
Ⓒ Length between inner screws	25 29/32	658
Ⓓ Length between outer screws	28 9/32	718
Ⓔ Overall length - Professional Round	28 13/16	748
Ⓕ Overall length - Contemporary	31 13/32	798

The models shown in this Planning Guide may not be available in all markets and are subject to change at any time. Product specifications may vary from those shown. This Planning Guide should not be used as installation guidance for any product. Further information is required to safely and correctly install the products featured here. Specific installation guidance will be available with the product on delivery and on our website fisherpaykel.com



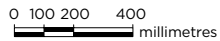
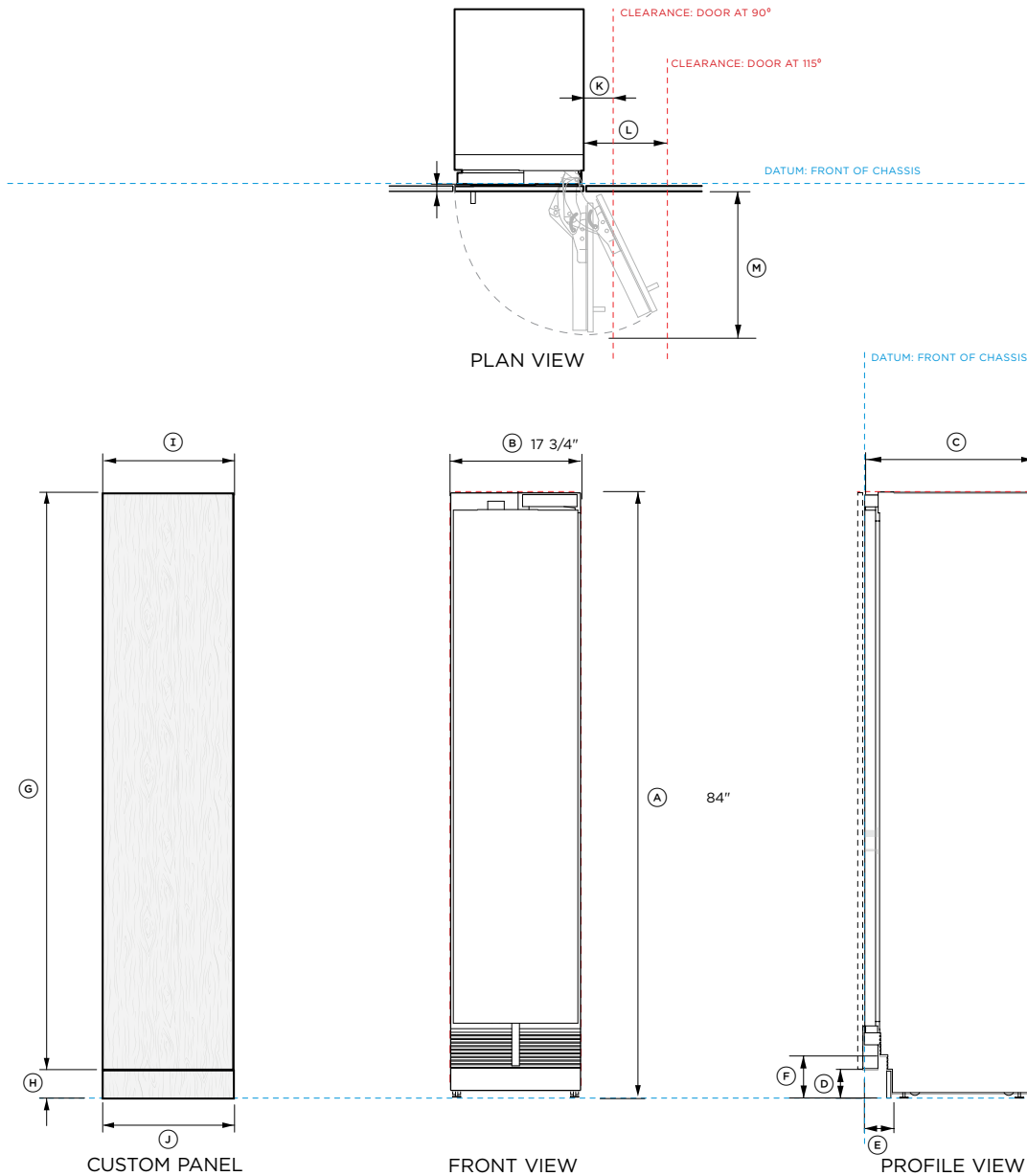
PRODUCT	PANEL MODELS	
	LEFT HINGE	RIGHT HINGE
① 18" Freezer with Ice	RD1884L4D	RD1884R4D
③ 24" Wine cabinet	RD2484VL4	RD2484VR4
⑤ 24" Single door models	RD2484L4D	RD2484R4D
⑦ 24" Refrigerator-Freezer	RD2484WLD	RD2484WRD
⑨ 30" Single door models	RD3084L4D	RD3084R4D
⑪ 30" Refrigerator-Freezer	RD3084WLD	RD3084WRD
⑬ 36" Refrigerator-Freezer	RD3684WLD	RD3684WRD
⑮ 36" Integrated french door Refrigerator-Freezer	RD3684AD	

TOE KICK PANEL		
SINGLE	DOUBLE	TRIPLE
② AKRS1804	N/A	N/A
④ AKRS2404	AKRS4804	AKRS7204
⑥ AKRS2404	AKRS4804	AKRS7204
⑧ AKRS2404	AKRS4804	AKRS7204
⑩ AKRS3004	AKRS6004	N/A
⑫ AKRS3004	AKRS6004	N/A
⑭ AKRS3604	AKRS7204	N/A

TOE KICK PANEL FOR MULTIPLE MODELS	
MODEL	CONFIGURATIONS
⑯ AKRS7804	24" + 24" + 30" (77 15/16")
	18" + 30" + 30" (77 15/16")
⑰ AKRS8404	24" + 30" + 30" (83 7/8")
	24" + 24" + 36" (83 7/8")

The models shown in this Planning Guide may not be available in all markets and are subject to change at any time. Product specifications may vary from those shown. This Planning Guide should not be used as installation guidance for any product. Further information is required to safely and correctly install the products featured here. Specific installation guidance will be available with the product on delivery and on our website fisherpaykel.com

DATA SHEETS



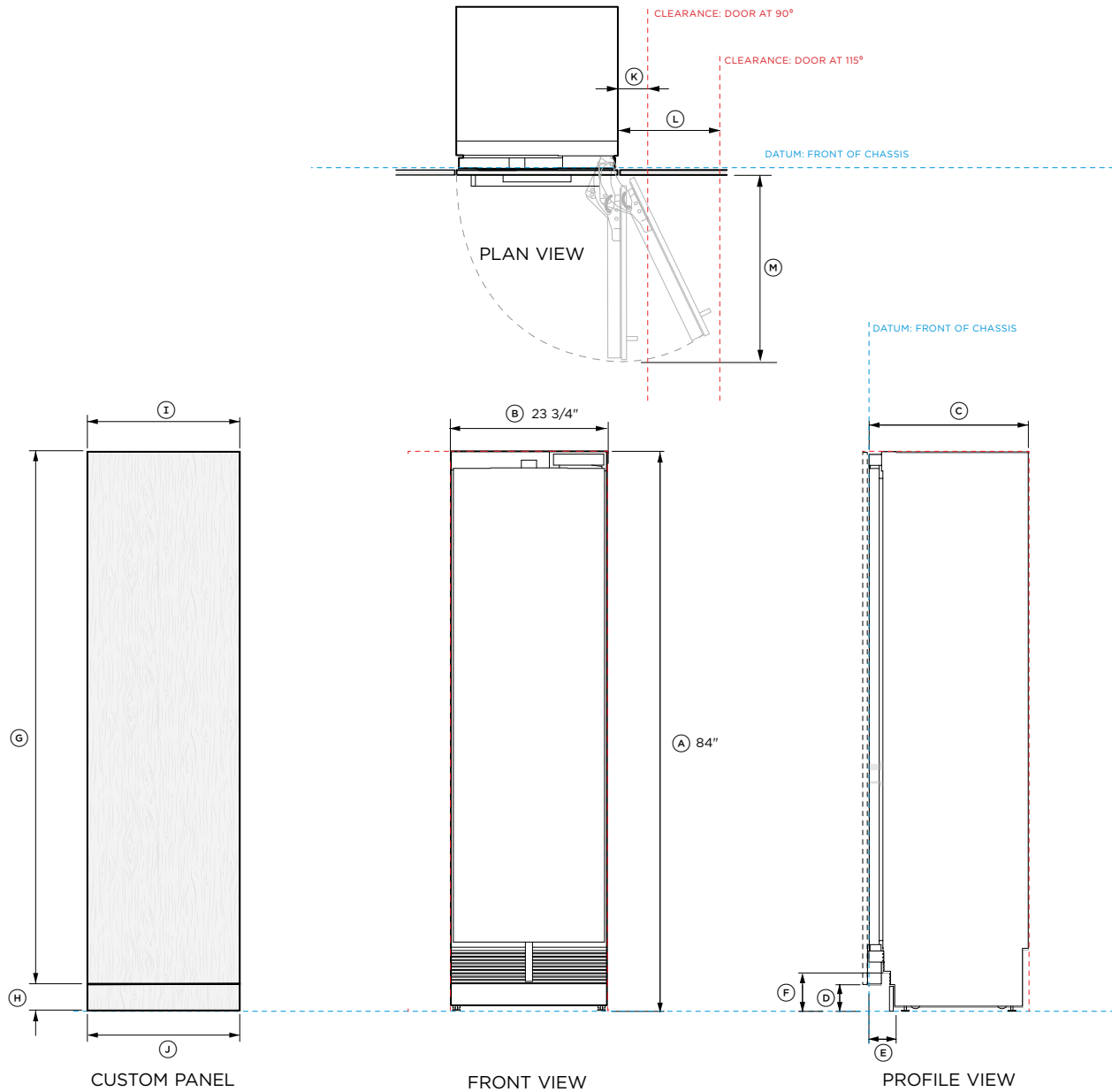
Model no:
RS1884FRJE, RS1884FLJE 18" Freezer
Shown with:
 Custom Door Panel (stainless steel panel optional)

Product Dimensions		in	mm
(A)	Overall height of chassis	84	2134
(B)	Overall width of chassis	17 3/4	451
(C)	Overall depth of chassis (excluding door panel)	24	610
(D)	Floor to bottom of door	4	102
(E)	Depth of toe kick*	2 7/8 - 4	73 - 102
(F)	Height of toe kick - chassis	6	152
(G)	Minimum height of custom door panel	79 7/8	2029
(H)	Height of custom toe kick panel	2 - 6	51 - 152
(I)	Minimum width of custom door panel		
	Single	17 3/4	451
	Dual/multiple panel	17 27/32	453
(J)	Minimum width of custom toe kick - Single	17 7/8	454
Door/Drawer Opening Dimensions		in	mm
(K)	Minimum door clearance** to adjacent wall (90° - reduced internal access)	4 11/16	119
(L)	Minimum door clearance** to adjacent wall* (115° - full internal access)	11 1/2	292
(M)	Depth of door measured from front of door panel (90° open)	20	508
Minimum Clearances		in	mm
	Minimum panel gap clearance	1/8	3
	Overall height of cavity	84	2134
	Overall width of cavity (single)	18	457
	Overall width of cavity (dual)	36	915
	Minimum overall depth (shallow) of cavity when services are located outside of cavity***	25	635
	Minimum overall depth (deep) of cavity when services are located at rear of cavity***	25 19/32	650

* Assumes 3/4" panel thickness
 ** 3 15/16" tall stainless steel toe kick panel available. Adjust the height of the door panel accordingly.

----- INDICATES CABINETRY / PRODUCT DATUM
 - - - - - INDICATES CABINETRY CLEARANCES
 - · - · - INDICATES CUTOUT

IMPORTANT NOTE: Throughout this guide, dimensions may vary by ±2mm (1/16"). Please read the installation manual for detailed information on installing the product. For full installation instructions & specifications visit fisherpaykel.com



Model no:

RS2484SRHE, RS2484SLHE, RS2484FRJE, RS2484FLJE

Shown with:

Custom Door Panel (stainless steel panel optional)

Product Dimensions

	in	mm
(A) Overall height of chassis	84	2134
(B) Overall width of chassis	23 3/4	603
(C) Overall depth of chassis (excluding door panel)	24	610
(D) Floor to bottom of door	4	102
(E) Depth of toe kick*	2 7/8 - 4	73 - 102
(F) Height of toe kick - chassis	6	152
(G) Minimum height of custom door panel	79 7/8	2029
(H) Height of toe kick panel	2 - 6	51 - 152
(I) Minimum width of custom door and drawer panel		
Single	23 3/4	603
Dual/multiple panel	23 13/16	605
(J) Minimum width of toe kick panel - single	23 13/16	606

Door/Drawer Opening Dimensions

	in	mm
(K) Minimum door clearance** to adjacent wall (90° - reduced internal access)	4 11/16	119
(L) Minimum door clearance** to adjacent wall* (115° - full internal access)	14	356
(M) Depth of door measured from front of door panel (90° open)	26	660

Minimum Clearances

	in	mm
Minimum panel gap clearance	1/8	3
Overall height of cavity	84	2134
Overall width of cavity (single)	24	609
Overall width of cavity (dual)	48	1219
Minimum overall depth (shallow) of cavity when services are located outside of cavity***	25	635
Minimum overall depth (deep) of cavity when services are located at rear of cavity***	25 19/32	650

* Assumes 3/4" panel thickness

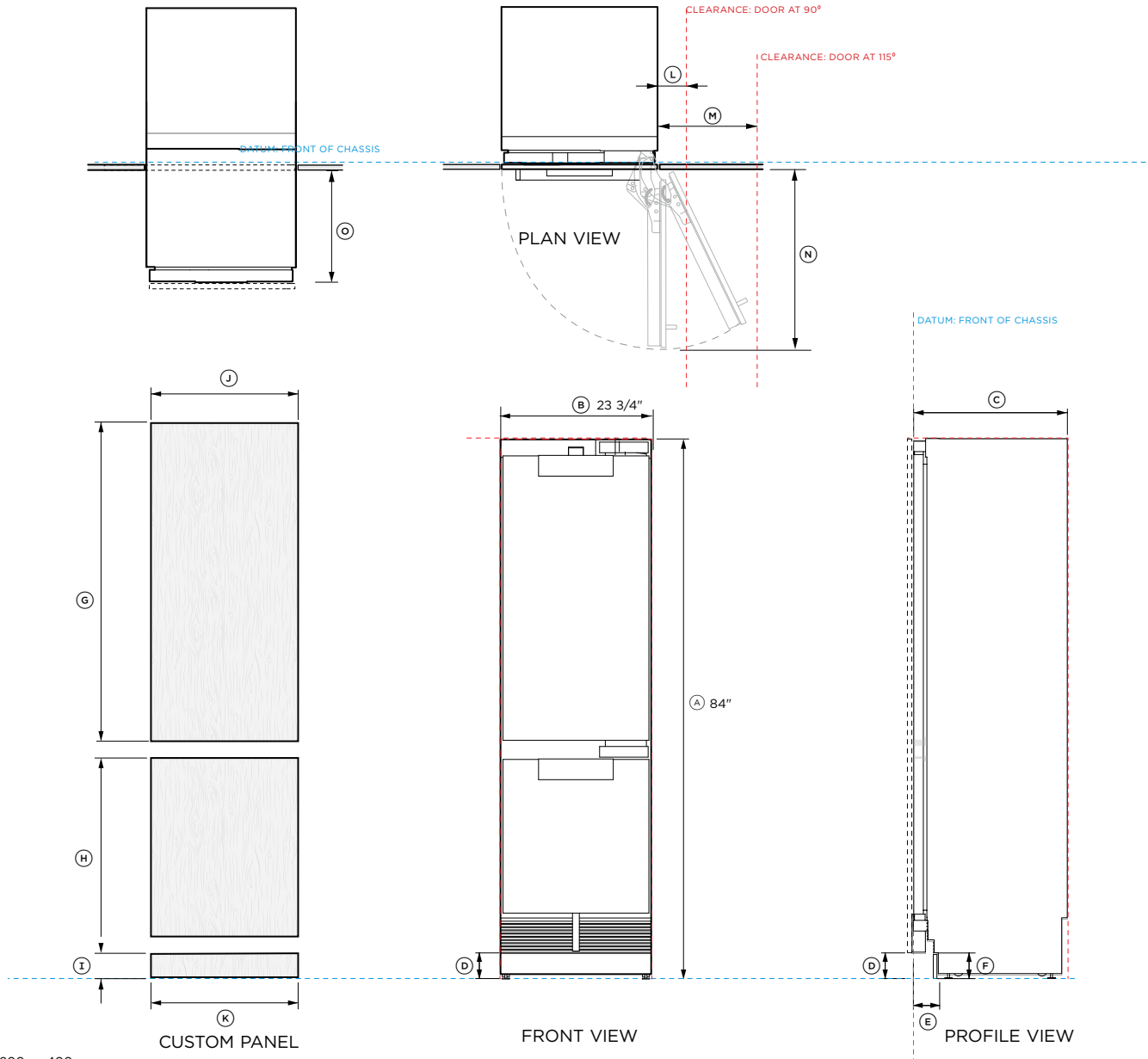
** 3 15/16" tall stainless steel toe kick panel available. Adjust the height of the door panel accordingly.

----- INDICATES CABINETRY / PRODUCT DATUM

----- INDICATES CABINETRY CLEARANCES

----- INDICATES CUTOUT

IMPORTANT NOTE: Throughout this guide, dimensions may vary by ±2mm (1/16"). Please read the installation manual for detailed information on installing the product. For full installation instructions & specifications visit fisherpaykel.com



Model no:

RS2484WRUE, RS2484WLUE

Shown with:

Custom Door Panel (stainless steel panel optional)

Product Dimensions

	in	mm
Ⓐ Overall height of chassis	84	2134
Ⓑ Overall width of chassis	23 3/4	603
Ⓒ Overall depth of chassis (excluding door panel)	24	610
Ⓓ Floor to bottom of door	4	102
Ⓔ Depth of toe kick*	2 7/8 - 4	73 - 102
Ⓕ Height of toe kick - chassis	6	152
Ⓖ Minimum height of custom door panel	49 3/8	1254
Ⓗ Minimum height of custom drawer panel	30 11/32	771
Ⓘ Height of toe kick panel	2 - 6	51 - 152
Ⓝ Minimum width of door/drawer panel		
Single	23 3/4	603
Dual/multiple panel	23 13/16	605
Ⓚ Minimum width of toe kick - Single	23 13/16	606

Door/Drawer Opening Dimensions

	in	mm
Ⓛ Minimum door clearance** to adjacent wall (90° - reduced internal access)	4 11/16	119
Ⓜ Minimum door clearance** to adjacent wall* (115° - full internal access)	14	356
Ⓝ Depth of door measured from front of door panel (90° open)	26	660
Ⓞ Depth of open drawer	15 3/4	400

Minimum Clearances

	in	mm
Minimum panel gap clearance	1/8	3
Overall height of cavity	84	2134
Overall width of cavity (single)	24	609
Overall width of cavity (dual)	48	1219
Minimum overall depth (shallow) of cavity when services are located outside of cavity***	25	635
Minimum overall depth (deep) of cavity when services are located at rear of cavity***	25 19/32	650

* Assumes 3/4" panel thickness

** 3 15/16" tall stainless steel toe kick panel available. Adjust the height of the door panel accordingly.

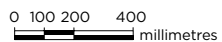
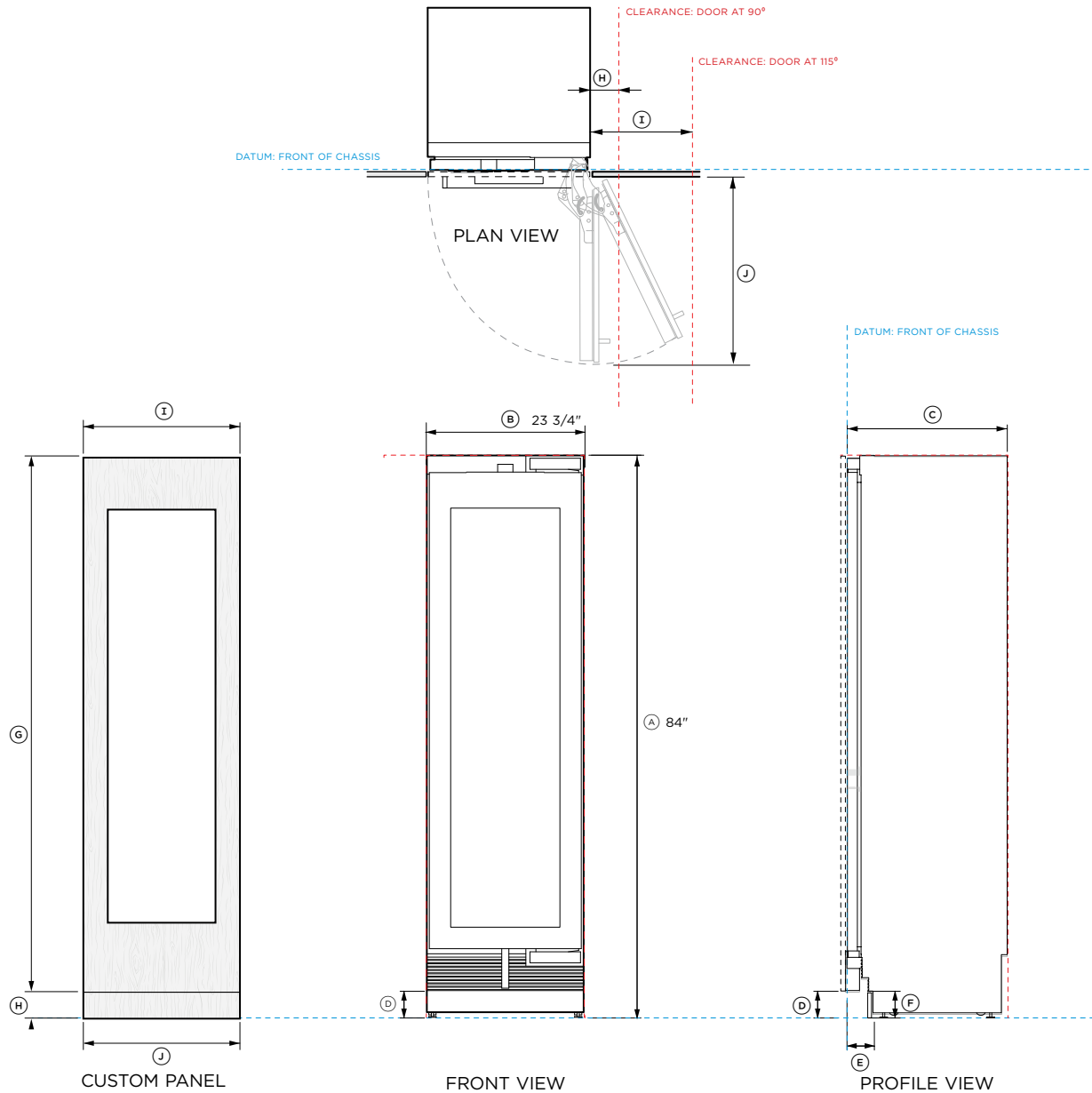
----- INDICATES CABINETRY / PRODUCT DATUM

----- INDICATES CABINETRY CLEARANCES

----- INDICATES CUTOUT

IMPORTANT NOTE: Throughout this guide, dimensions may vary by ±2mm (1/16"). Please read the installation manual for detailed information on installing the product. For full installation instructions & specifications visit fisherpaykel.com





Model no:

RS2484VL2K, RS2484VR2K

Shown with:

Custom Door Panel (stainless steel panel optional)

Product Dimensions

	in	mm
(A) Overall height of chassis	84	2134
(B) Overall width of chassis	23 3/4	603
(C) Overall depth of chassis (excluding door panel)	24	610
(D) Floor to bottom of door	4	102
(E) Depth of toe kick*	2 7/8 - 4	73 - 102
(F) Height of toe kick - chassis	6	152
(G) Minimum height of custom door panel	79 7/8	2029
(H) Height of custom toe kick panel	2 - 6	51 - 152
(I) Minimum width of door panel		
Single	23 3/4	603
Dual/multiple panel	23 13/16	605
(J) Minimum width of toe kick - Single	23 13/16	606

Door/Drawer Opening Dimensions

	in	mm
(K) Minimum door clearance** to adjacent wall (90° - reduced internal access)	4 11/16	119
(L) Minimum door clearance** to adjacent wall* (115° - full internal access)	14	356
(M) Depth of door measured from front of door panel (90° open)	26	660

Minimum Clearances

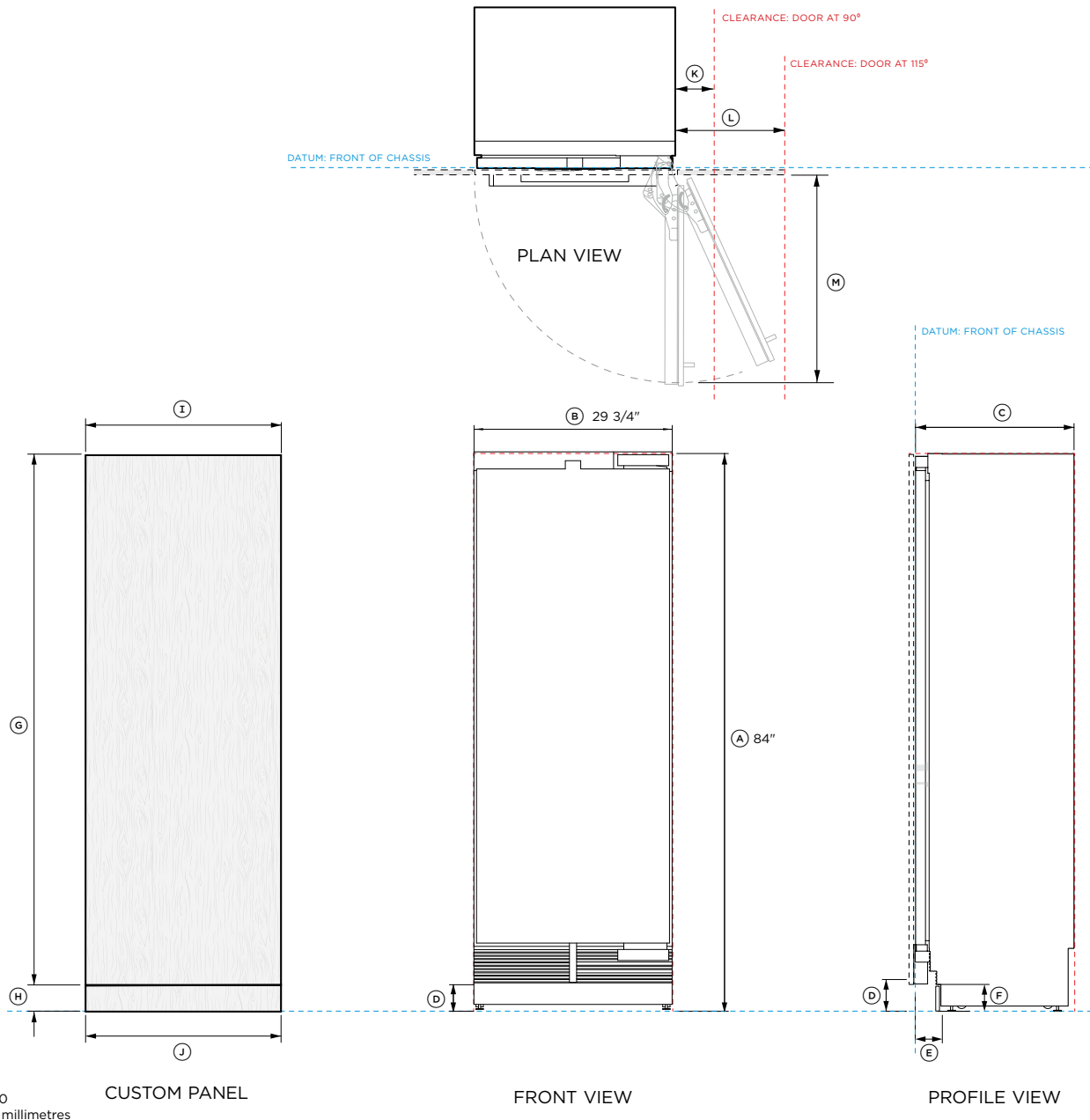
	in	mm
Minimum panel gap clearance	1/8	3
Overall height of cavity	84	2134
Overall width of cavity (single)	24	609
Overall width of cavity (dual)	48	1219
Minimum overall depth (shallow) of cavity when services are located outside of cavity***	25	635
Minimum overall depth (deep) of cavity when services are located at rear of cavity***	25 19/32	650

* Assumes 3/4" panel thickness

** 3 15/16" tall stainless steel toe kick panel available. Adjust the height of the door panel accordingly.

----- INDICATES CABINETRY / PRODUCT DATUM
 - - - - - INDICATES CABINETRY CLEARANCES
 - · - · - INDICATES CUTOUT

IMPORTANT NOTE: Throughout this guide, dimensions may vary by ±2mm (1/16"). Please read the installation manual for detailed information on installing the product. For full installation instructions & specifications visit fisherpaykel.com



Model no:

RS3084SRHE, RS3084SLHE, RS3084FRJE, RS3084FLJE

Shown with:

Custom Door Panel (stainless steel panel optional)

Product Dimensions		in	mm
(A)	Overall height of chassis	84	2134
(B)	Overall width of chassis	29 3/4	756
(C)	Overall depth of chassis (excluding door panel)	24	610
(D)	Floor to bottom of door	4	102
(E)	Depth of toe kick*	2 7/8 - 4	73 - 102
(F)	Height of toe kick - chassis	6	152
(G)	Minimum height of custom door panel	79 7/8	2029
(H)	Height of custom toe kick panel	2 - 6	51 - 152
(I)	Minimum width of door panel		
	Single	29 3/4	756
	Dual/multiple panel	29 27/32	758
(J)	Minimum width of toe kick - Single	29 27/32	759

Door/Drawer Opening Dimensions		in	mm
(K)	Minimum door clearance** to adjacent wall (90° - reduced internal access)	4 11/16	119
(L)	Minimum door clearance** to adjacent wall* (115° - full internal access)	16 1/2	419
(M)	Depth of door measured from front of door panel (90° open)	32	813

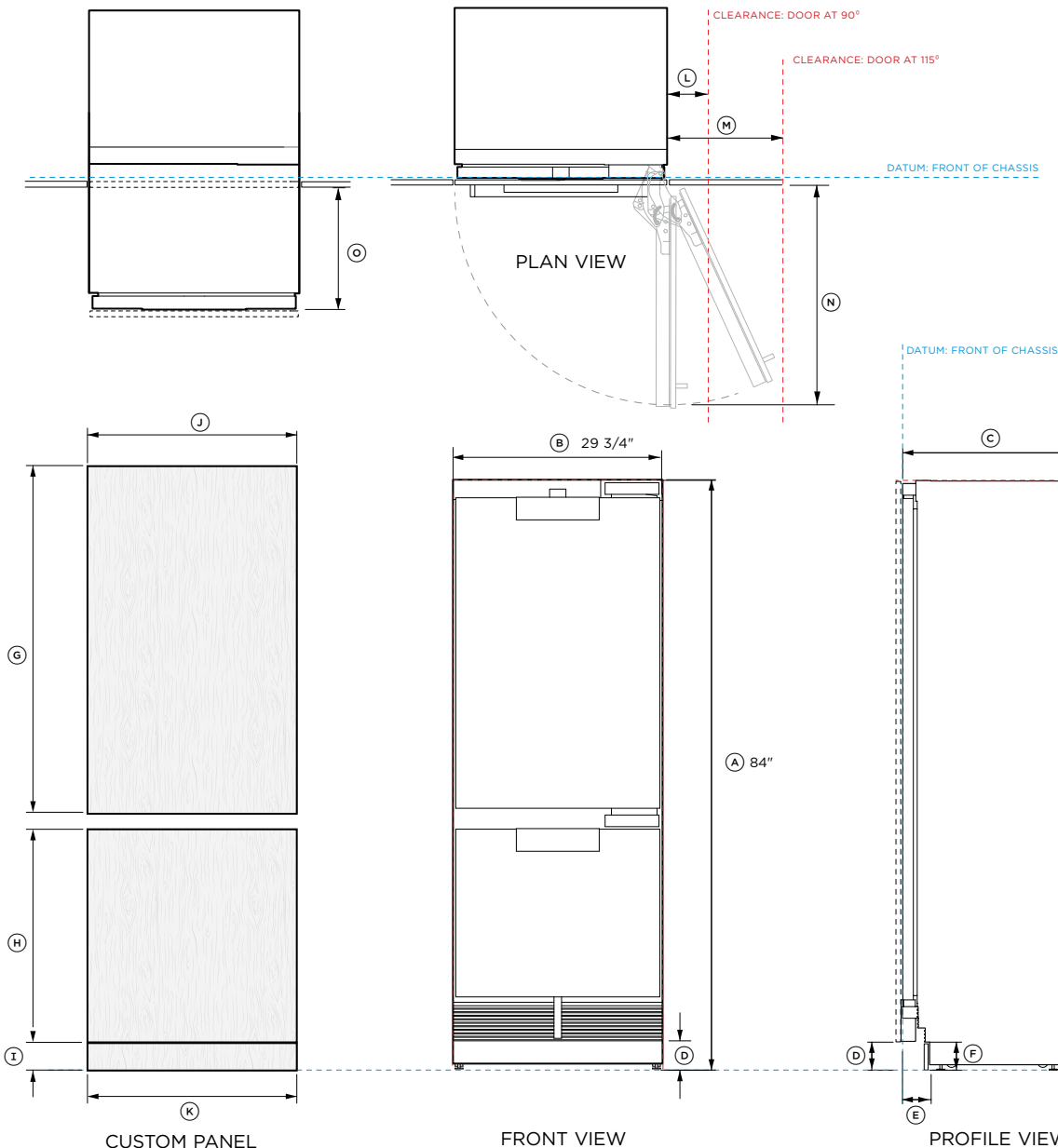
Minimum Clearances		in	mm
	Minimum panel gap clearance	1/8	3
	Overall height of cavity	84	2134
	Overall width of cavity (single)	30	762
	Overall width of cavity (dual)	60 1/32	1525
	Minimum overall depth (shallow) of cavity when services are located outside of cavity***	25	635
	Minimum overall depth (deep) of cavity when services are located at rear of cavity***	25 19/32	650

* Assumes 3/4" panel thickness

** 3 15/16" tall stainless steel toe kick panel available. Adjust the height of the door panel accordingly.

- INDICATES CABINETRY / PRODUCT DATUM
- INDICATES CABINETRY CLEARANCES
- INDICATES CUTOUT

IMPORTANT NOTE: Throughout this guide, dimensions may vary by ±2mm (1/16"). Please read the installation manual for detailed information on installing the product. For full installation instructions & specifications visit fisherpaykel.com



Model no:

RS3084WRUE, RS3084WLUE

Shown with:

Custom Door Panel (stainless steel panel optional)

Product Dimensions

	in	mm
(A) Overall height of chassis	84	2134
(B) Overall width of chassis	29 3/4	756
(C) Overall depth of chassis (excluding door panel)	24	610
(D) Floor to bottom of door	4	102
(E) Depth of toe kick*	2 7/8 - 4	73 - 102
(F) Height of toe kick - chassis	6	152
(G) Minimum height of custom door panel	49 3/8"	1254
(H) Minimum height of custom drawer panel	30 11/32"	771
(I) Height of custom toe kick panel	2 - 6	51 - 152
(J) Minimum width of door/drawer panel		
Single	29 3/4	756
Dual/multiple panel	29 27/32	758
(K) Minimum width of toe kick - Single	29 27/32	759

Door/Drawer Opening Dimensions

	in	mm
(L) Minimum door clearance** to adjacent wall (90° - reduced internal access)	4 11/16	119
(M) Minimum door clearance** to adjacent wall* (115° - full internal access)	16 1/2	419
(N) Depth of door measured from front of door panel (90° open)	32	813
(O) Depth of open drawer	15 3/4	400

Minimum Clearances

	in	mm
Minimum panel gap clearance	1/8	3
Overall height of cavity	84	2134
Overall width of cavity (single)	30	762
Overall width of cavity (dual)	60 1/32	1525
Minimum overall depth (shallow) of cavity when services are located outside of cavity***	25	635
Minimum overall depth (deep) of cavity when services are located at rear of cavity***	25 19/32	650

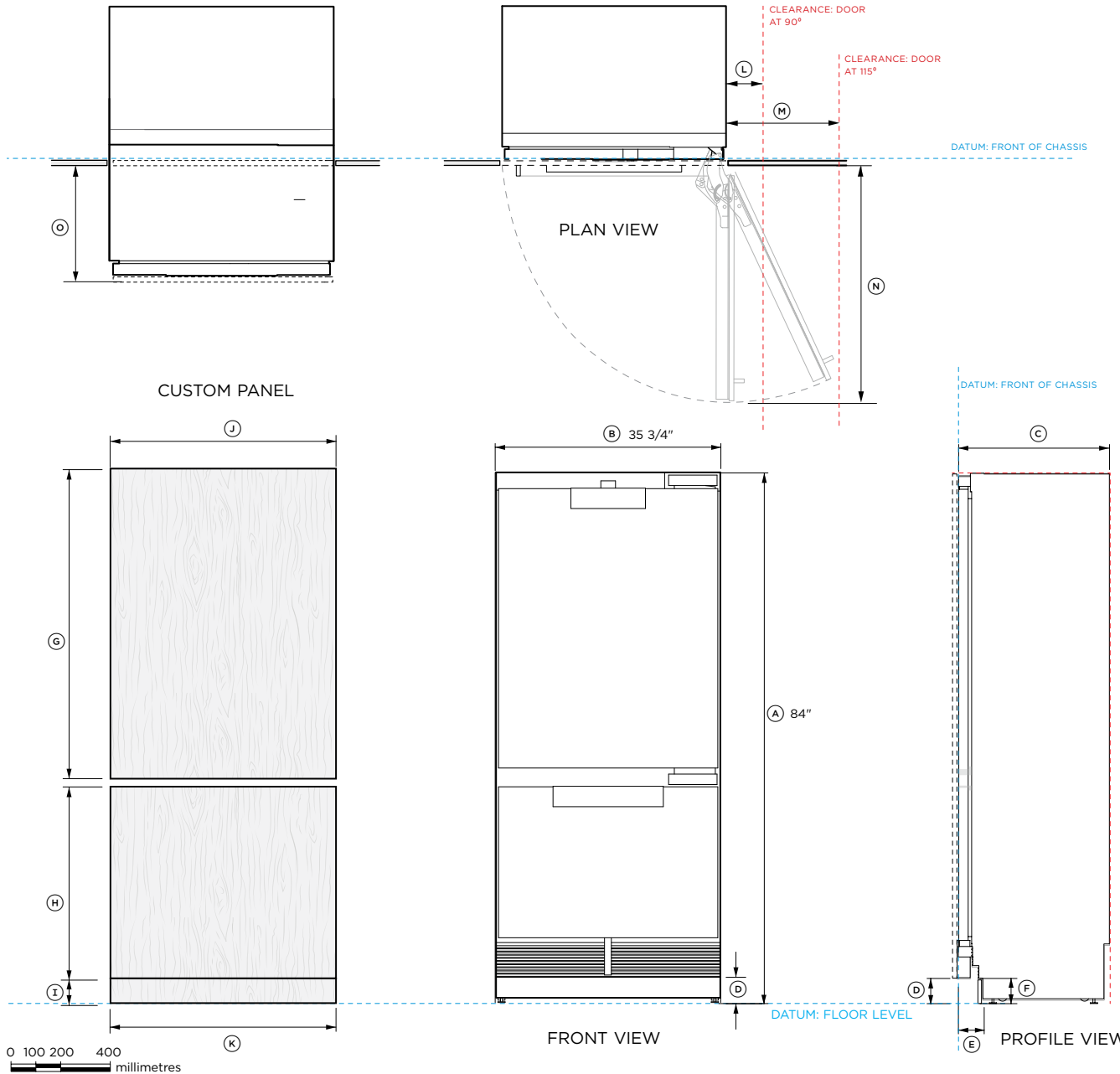
* Assumes 3/4" panel thickness
 ** 3 15/16" tall stainless steel toe kick panel available. Adjust the height of the door panel accordingly.

--- INDICATES CABINETRY / PRODUCT DATUM

--- INDICATES CABINETRY CLEARANCES

--- INDICATES CUTOUT

IMPORTANT NOTE: Throughout this guide, dimensions may vary by ±2mm (1/16"). Please read the installation manual for detailed information on installing the product. For full installation instructions & specifications visit fisherpaykel.com



Model no:

RS3684WRUVE, RS3684WLUVE

Shown with:

Custom Door Panel (stainless steel panel optional)

Product Dimensions

	in	mm
(A) Overall height of chassis	84	2134
(B) Overall width of chassis	35 3/4	908
(C) Overall depth of chassis (excluding door panel)	24	610
(D) Floor to bottom of door	4	102
(E) Depth of toe kick*	2 7/8 - 4	73 - 102
(F) Height of toe kick - chassis	6	152
(G) Minimum height of custom door panel	49 3/8"	1254
(H) Minimum height of custom drawer panel	30 11/32"	771
(I) Height of custom toe kick panel	2 - 6	51 - 152
(J) Minimum width of door/drawer panel		
Single	35 3/4	908
Dual/multiple panel	35 13/16	910
(K) Minimum width of toe kick - Single	35 7/8	911
Door/Drawer Opening Dimensions		
(L) Minimum door clearance** to adjacent wall (90° - reduced internal access)	4 11/16	119
(M) Minimum door clearance** to adjacent wall* (115° - full internal access)	20 3/4	527
(N) Depth of door measured from front of door panel (90° open)	38 1/16	967
(O) Depth of open drawer	15 3/4	400

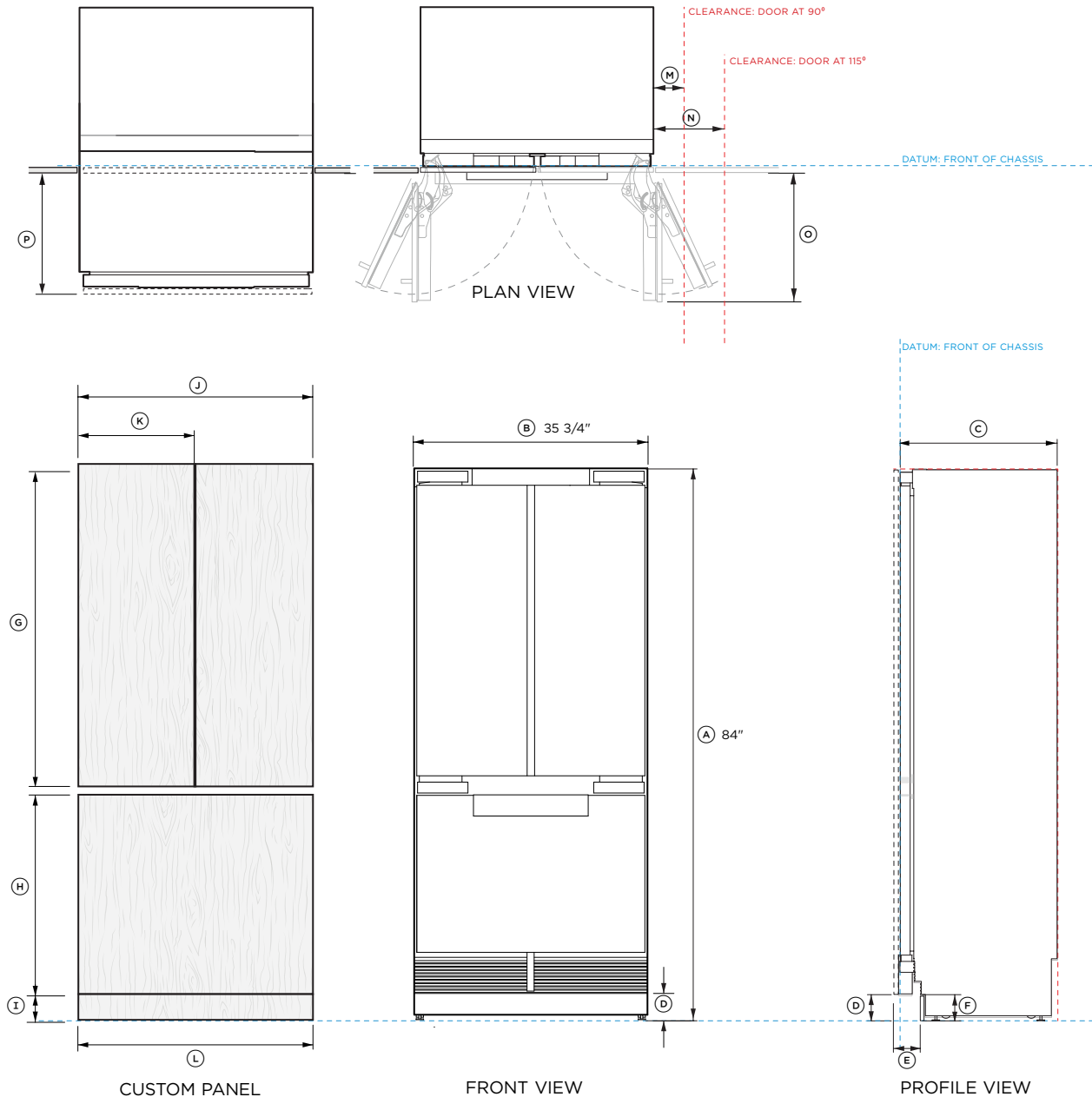
Minimum Clearances

	in	mm
Minimum panel gap clearance	1/8	3
Overall height of cavity	84	2134
Overall width of cavity (single)	36	914
Overall width of cavity (dual)	72	1829
Minimum overall depth (shallow) of cavity when services are located outside of cavity***	25	635
Minimum overall depth (deep) of cavity when services are located at rear of cavity***	25 19/32	650

* Assumes 3/4" panel thickness
 ** 3 15/16" tall stainless steel toe kick panel available. Adjust the height of the door panel accordingly.

----- INDICATES CABINETRY / PRODUCT DATUM
 - - - - - INDICATES CABINETRY CLEARANCES
 - · - · - INDICATES CUTOUT

IMPORTANT NOTE: Throughout this guide, dimensions may vary by ±2mm (1/16"). Please read the installation manual for detailed information on installing the product. For full installation instructions & specifications visit fisherpaykel.com



Model no: RS3684AUVE

Shown with: Custom Door Panel (stainless steel panel optional)

Product Dimensions	in	mm
(A) Overall height of chassis	84	2134
(B) Overall width of chassis	35 3/4	908
(C) Overall depth of chassis (excluding door panel)	24	610
(D) Floor to bottom of door	4	102
(E) Depth of toe kick*	2 7/8 - 4	73 - 102
(F) Height of toe kick - chassis	6	152
(G) Minimum height of door panel	49 3/8"	1254
(H) Minimum height of drawer panel	30 11/32"	771
(I) Height of custom toe kick panel	2 - 6	51 - 152
(J) Minimum width of drawer panel		
Single	35 3/4	908
Dual/multiple panel	35 13/16	910

(K) Minimum width of door panels		
Single	17 13/16	452.5
Dual/multiple panel	17 1/8	453
(L) Minimum width of toe kick - Single	35 7/8	911

Door/Drawer Opening Dimensions	in	mm
(M) Minimum door clearance** to adjacent wall (90° - reduced internal access)	4 5/16	119
(N) Minimum door clearance** to adjacent wall* (115° - full internal access)	12 1/4	311
(O) Depth of door measured from front of door panel (90° open)	22 5/8	575
(P) Depth of open drawer	15 3/4	400

Minimum Clearances	in	mm
Minimum panel gap clearance	1/8	3
Overall height of cavity	84	2134
Overall width of cavity (single)	36	914
Overall width of cavity (dual)	72	1829
Minimum overall depth (shallow) of cavity when services are located outside of cavity***	25	635
Minimum overall depth (deep) of cavity when services are located at rear of cavity***	25 19/32	650

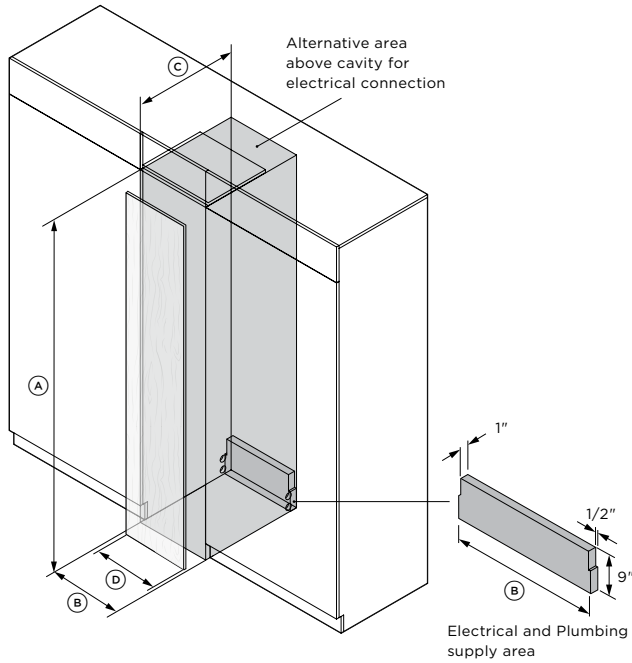
* Assumes 3/4" panel thickness
 ** 3 15/16" tall stainless steel toe kick panel available. Adjust the height of the door panel accordingly.
 --- INDICATES CABINETRY CLEARANCES
 - - - INDICATES CUTOUT

IMPORTANT NOTE: Throughout this guide, dimensions may vary by ±2mm (1/16"). Please read the installation manual for detailed information on installing the product. For full installation instructions & specifications visit fisherpaykel.com

PLANNING CONSIDERATIONS

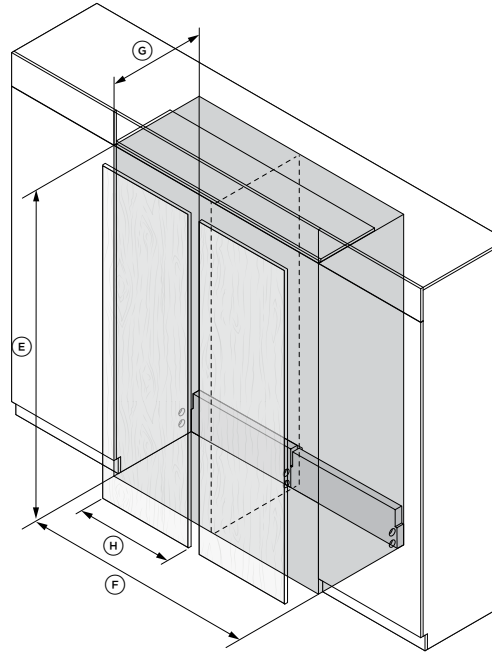
SPECIFICATION GUIDE | CAVITY SPECIFICATIONS

SINGLE INSTALLATION



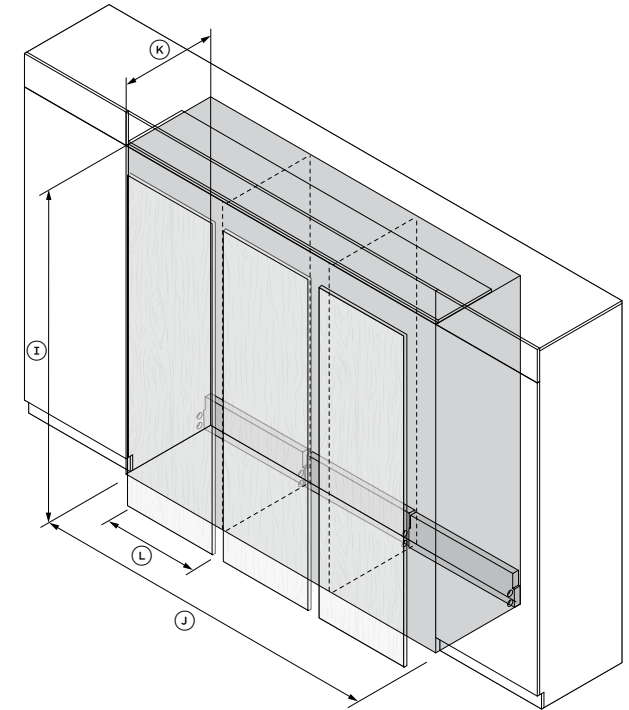
SINGLE CAVITY DIMENSIONS	18"		24"		30"		36"	
	in	mm	in	mm	in	mm	in	mm
Ⓐ Overall height of cavity	84	2134	84	2134	84	2134	84	2134
Ⓑ Overall width of cavity	18	457	24	609	30	762	36	914
Ⓒ Minimum overall depth of cavity* (services located at rear of cavity)	25 5/8	650	25 5/8	650	25 5/8	650	25 5/8	650
Minimum overall depth of cavity* (services located outside of cavity)	25	635	25	635	25	635	25	635
Ⓓ Custom door panel widths** 36" French door	17 3/4	451	23 3/4	603	29 3/4	756	35 3/4	908
						17 13/16	452.5	

DUAL INSTALLATION



DUAL CAVITY DIMENSIONS	18"		24"		30"		36"	
	in	mm	in	mm	in	mm	in	mm
Ⓔ Overall height of cavity	84	2134	84	2134	84	2134	84	2134
Ⓕ Overall width of cavity	36 1/32	915	48	1219	60 1/32	1525	36	1829
Ⓖ Minimum overall depth of cavity* (services located at rear of cavity)	25 5/8	650	25 5/8	650	25 5/8	650	25 5/8	650
Minimum overall depth of cavity* (services located outside of cavity)	25	635	25	635	25	635	25	635
Ⓗ Custom door panel widths**	17 27/32	453	23 13/16	605	29 27/32	758	35 13/16	910
						17 27/32	453	

TRIPLE INSTALLATION



TRIPLE CAVITY DIMENSIONS	18"		24"		30"	
	in	mm	in	mm	in	mm
Ⓙ Overall height of cavity	84	2134	84	2134	84	2134
Ⓚ Overall width of cavity	53 31/32	1371	72	1829	90	2286
Ⓚ Minimum overall depth of cavity* (services located at rear of cavity)	25 5/8	650	25 5/8	650	25 5/8	650
Minimum overall depth of cavity* (services located outside of cavity)	25	635	25	635	25	635
Ⓛ Custom door panel widths**	17 27/32	453	23 13/16	605	29 27/32	758

*A 3mm minimum gap is required between custom panels and adjacent cabinetry. If overlaying panels to hide the cavity spacer, allow for extra panel width.

** Cavity depth assumes 3/4" thick panels. If overlaying panels to hide the cavity spacer, add extra panel width.

NOTE: A finished return of 102mm is required for framed cabinetry in the cavity. The maximum amount of appliances per cavity is three.

The models shown in this Planning Guide may not be available in all markets and are subject to change at any time. Product specifications may vary from those shown. This Planning Guide should not be used as installation guidance for any product. Further information is required to safely and correctly install the products featured here. Specific installation guidance will be available with the product on delivery and on our website fisherpaykel.com

SPECIFICATION GUIDE | DOOR SWING CLEARANCES

DOOR CLEARANCES

18" Model

90° OPENING DOOR CLEARANCES **in** **mm**

(A) Minimum door clearance to adjacent wall 4 11/16 119

(B) Maximum door opening depth 20 508

115° OPENING DOOR CLEARANCES

(C) Minimum door clearance to adjacent wall 11 1/2 292

24" Models

90° OPENING DOOR CLEARANCES **in** **mm**

(A) Minimum door clearance to adjacent wall 4 11/16 119

(B) Maximum door opening depth 26 660

115° OPENING DOOR CLEARANCES

(C) Minimum door clearance to adjacent wall 14 356

30" Models

90° OPENING DOOR CLEARANCES **in** **mm**

(A) Minimum door clearance to adjacent wall 4 11/16 119

(B) Maximum door opening depth 32 813

115° OPENING DOOR CLEARANCES

(C) Minimum door clearance to adjacent wall 16 1/2 419

36" Refrigerator Freezer

90° OPENING DOOR CLEARANCES **in** **mm**

(A) Minimum door clearance to adjacent wall 4 11/16 119

(B) Maximum door opening depth 38 1/16 967

115° OPENING DOOR CLEARANCES

(C) Minimum door clearance to adjacent wall 20 3/4 527

36" French Door Refrigerator Freezer

90° OPENING DOOR CLEARANCES **in** **mm**

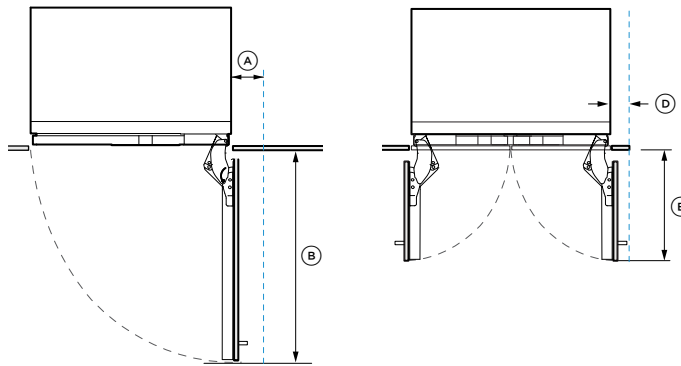
(D) Minimum door clearance to adjacent wall 4 11/16 119

(E) Maximum door opening depth 22 5/8 575

115° OPENING DOOR CLEARANCES

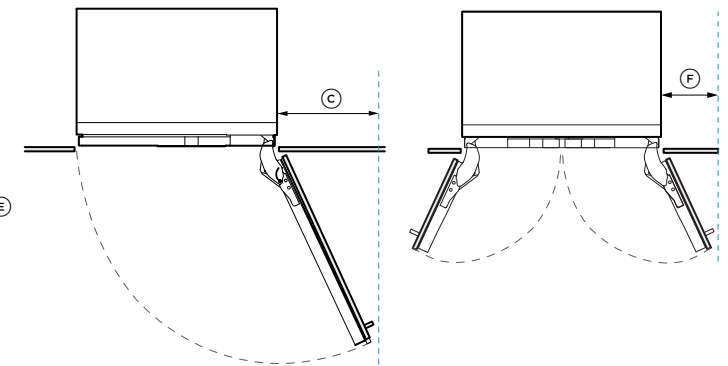
(F) Minimum door clearance to adjacent wall 12 1/4 311

90° INTERNAL ACCESS



A hinge limiting pin can be installed to restrict door opening to 90° where necessary. Minimum dimensions shown are for a 1 5/8" handle depth. Custom door panel and handle details need to be taken into account.

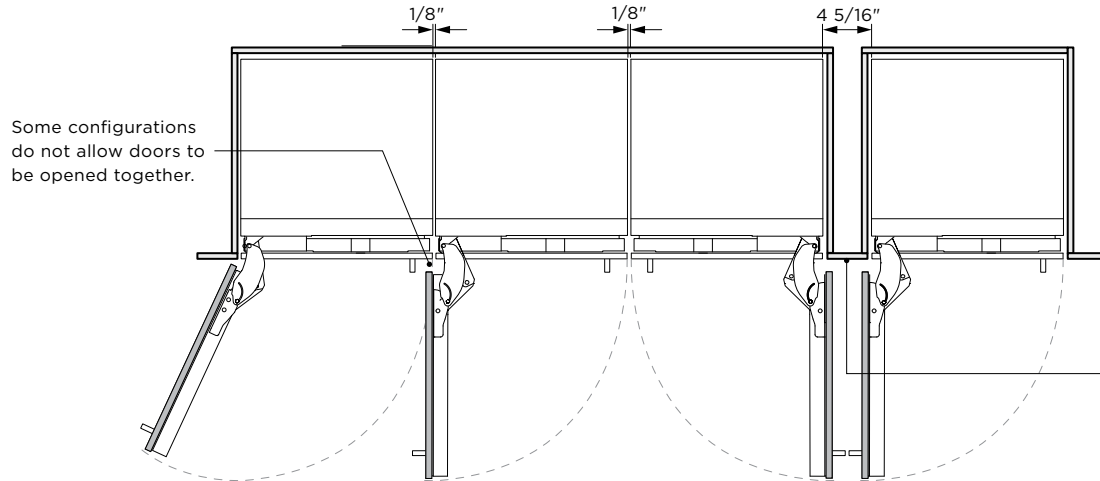
115° INTERNAL ACCESS



115° door opening - full internal access.

Minimum dimensions shown are for a 1 5/8" handle depth. Custom door panel and handle details need to be taken into account.

MULTIPLE INSTALLATION



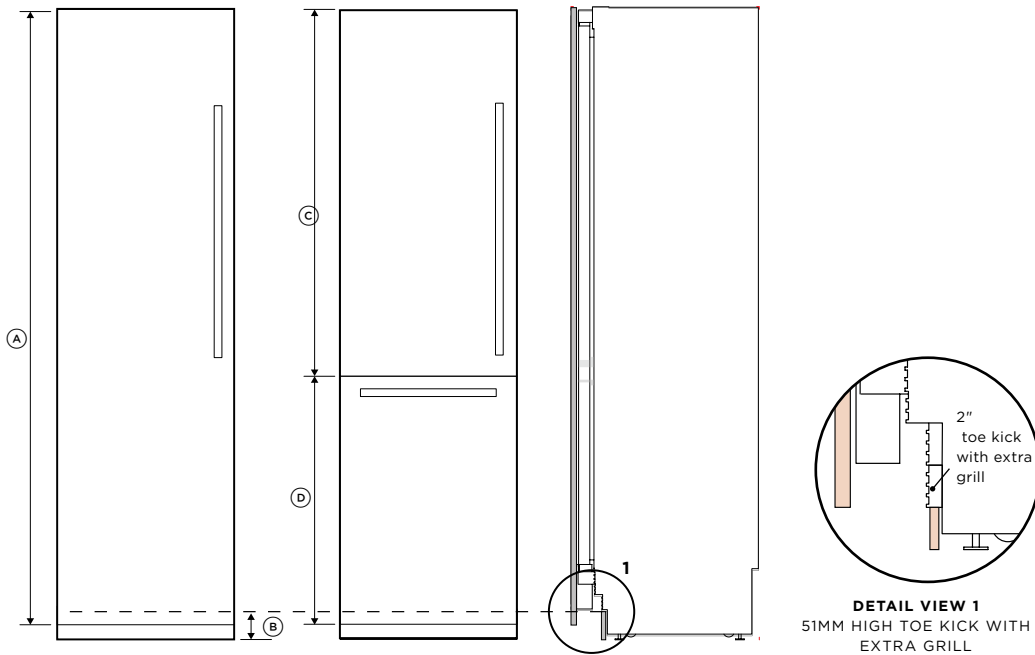
A gap is required if doors clash when opened. If the gap is less than 4 5/16", only one door may be opened at a time depending on the handle style.

The models shown in this Planning Guide may not be available in all markets and are subject to change at any time. Product specifications may vary from those shown. This Planning Guide should not be used as installation guidance for any product. Further information is required to safely and correctly install the products featured here. Specific installation guidance will be available with the product on delivery and on our website fisherpaykel.com

SPECIFICATION GUIDE | CUSTOM TOE KICKS

LOW TOE KICK WITH EXTENDED PANEL

A 2" high toe kick can be achieved by installing a 81 7/8" panel with an extra grill installed.

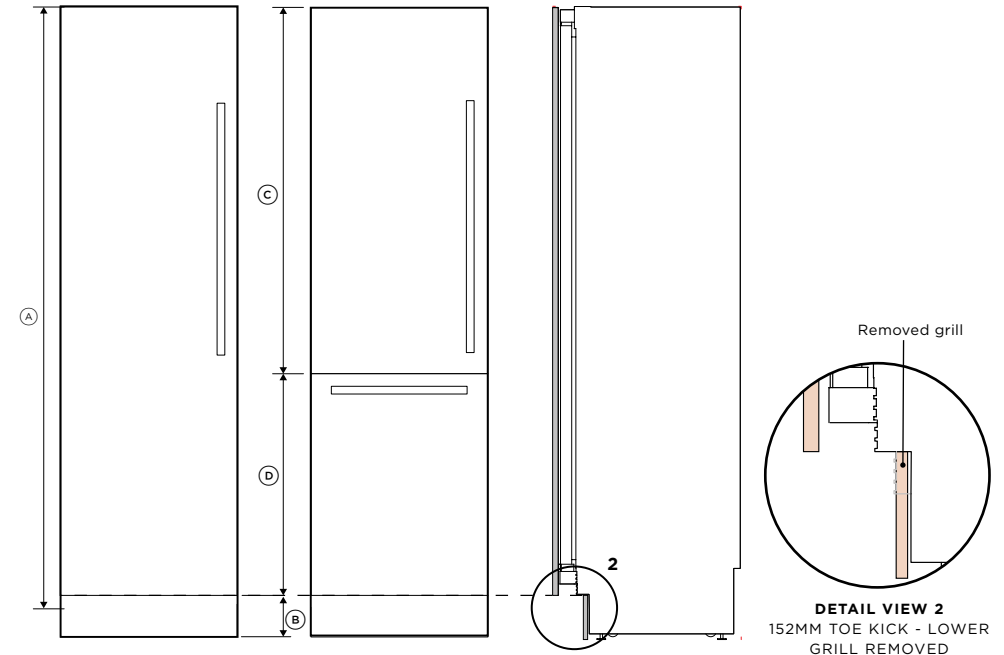


LOW TOE KICK PANEL DIMENSIONS

	in	mm
Ⓐ Panel height - single door	81 7/8	2080
Ⓑ Toe kick height	2	51
Ⓒ Door panel height	49 3/8	1254
Ⓓ Drawer height	32 3/8	822

HIGH TOE KICK WITH REDUCED HEIGHT PANEL

A 6" toe kick with a 77 7/8" high panel can be achieved by removing the lower grill and the airflow divider.



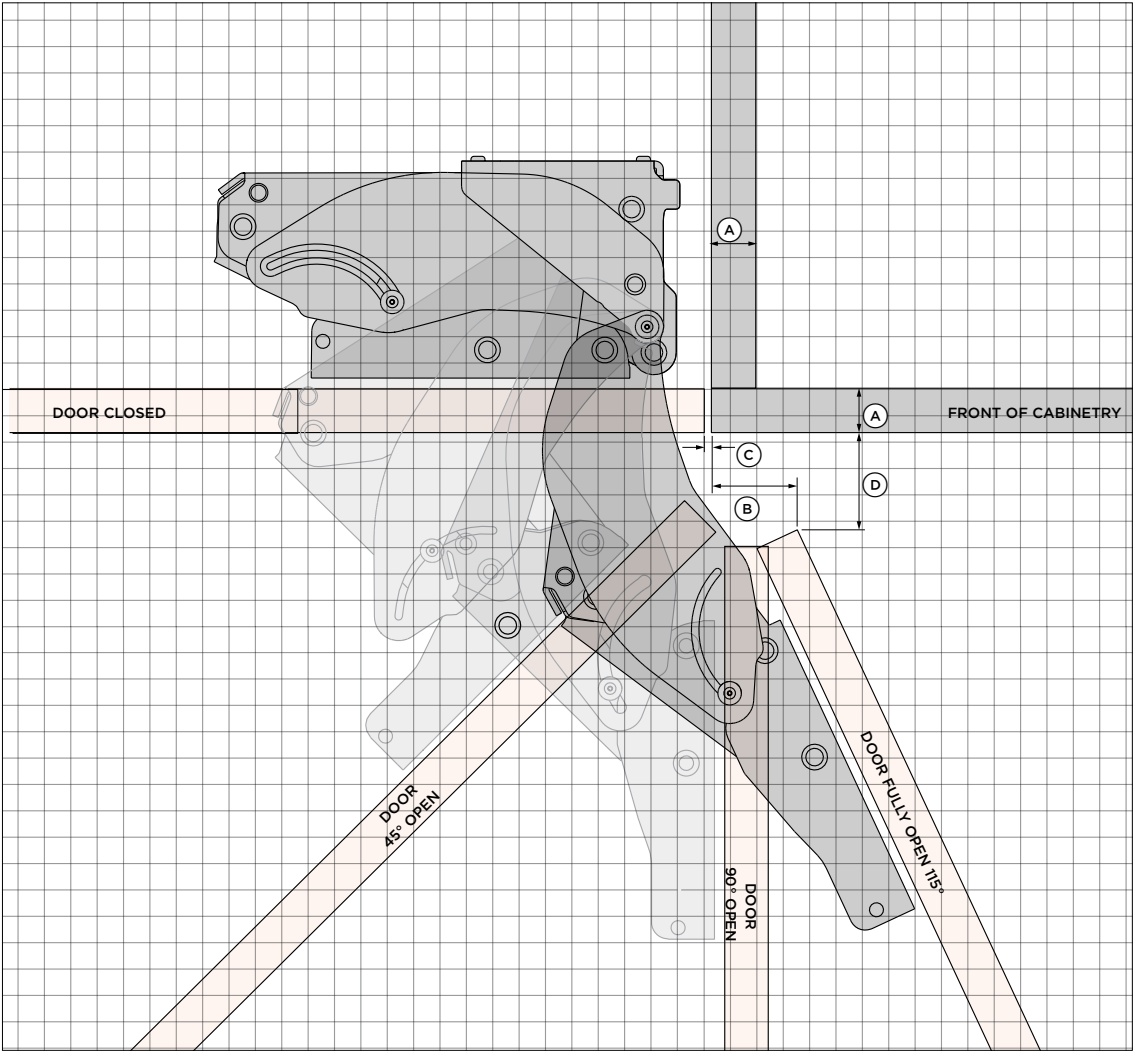
HIGH TOE KICK PANEL DIMENSIONS

	in	mm
Ⓐ Panel height - single door	77 7/8	1978
Ⓑ Toe kick height	6	152
Ⓒ Door panel height	49 3/8	1254
Ⓓ Drawer height	28 3/8	721

The models shown in this Planning Guide may not be available in all markets and are subject to change at any time. Product specifications may vary from those shown. This Planning Guide should not be used as installation guidance for any product. Further information is required to safely and correctly install the products featured here. Specific installation guidance will be available with the product on delivery and on our website fisherpaykel.com

HINGE ARTICULATION

DESIGN PLANNING | HINGE ARTICULATION



1 SQUARE = 1/2" (12.7mm)

TOP VIEW

DOOR HINGE - HETTICH K05

Left handed hinge models are a mirrored version of shown.

CUSTOM FRONT PANEL

- A Panel thickness: 3/4"(19mm).
- B Gap between door and adjacent cabinetry: Min 1/8"(3mm)
- C Gap between cabinet side and door at 115° open: 1 13/32"(36mm)
- D Gap between adjacent cabinet and door at 115°: 1 21/32"(42mm)

WEIGHT LIMITS

SINGLE PANEL MODELS	MAXIMUM WEIGHT
RS1884	Max 44lbs (20kg)
RS2484	Max 55lbs (25kg)
RS2484V Wine cabinet	Max 17.6lbs (8kg)
RS3084	Max 66lbs (30kg)

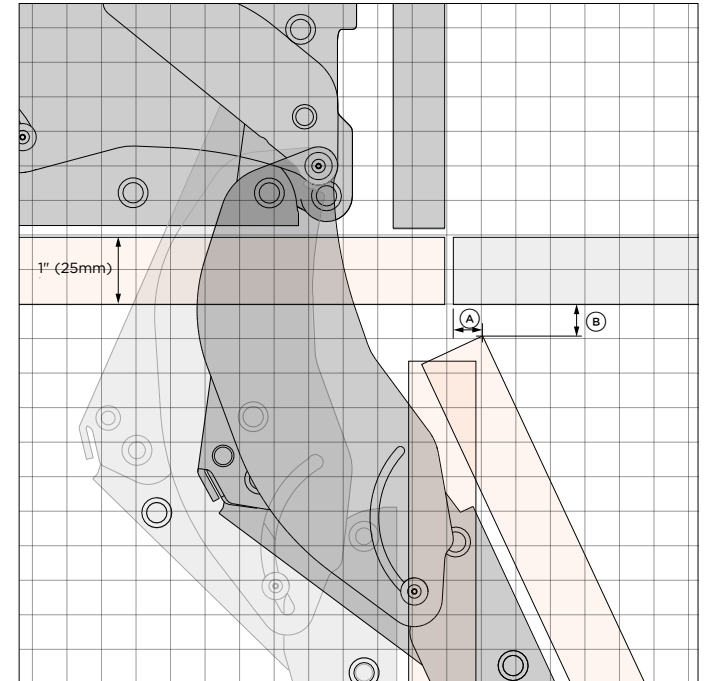
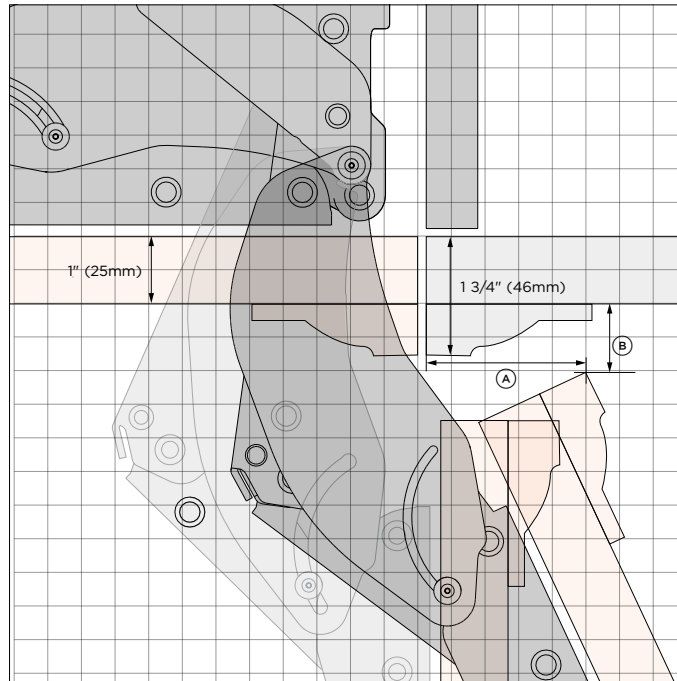
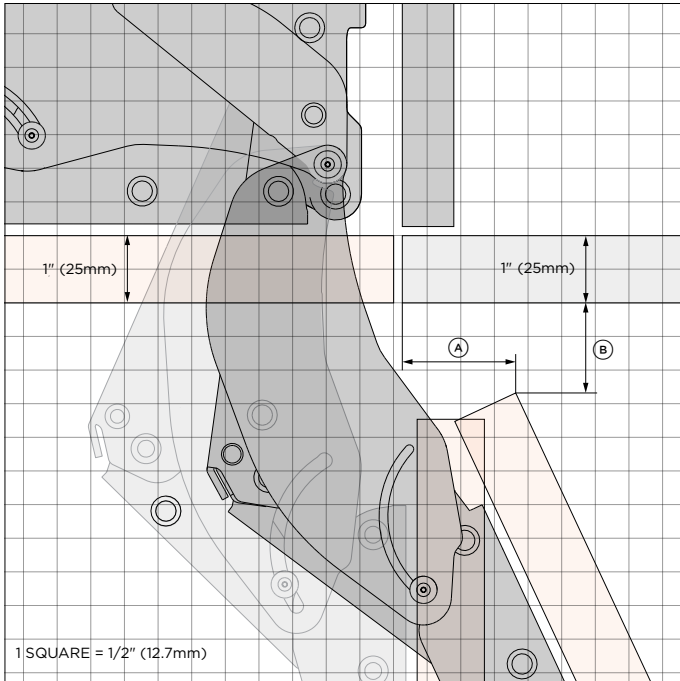
DOUBLE PANEL MODELS	MAXIMUM WEIGHT
RS2484W Top panel	Max 33lbs (15kg)
RS2484W Bottom panel	Max 20lbs (9kg)
RS3084W Top panel	Max 40lbs (18kg)
RS3084W Bottom panel	Max 24lbs (11kg)
RS3684W Top panel	Max 46lbs (21kg)
RS3684W Bottom panel	Max 30lbs (13.5kg)

Note: Door weight includes weight of handle.

The models shown in this Planning Guide may not be available in all markets and are subject to change at any time. Product specifications may vary from those shown. This Planning Guide should not be used as installation guidance for any product. Further information is required to safely and correctly install the products featured here. Specific installation guidance will be available with the product on delivery and on our website fisherpaykel.com

SUPPORT

For additional design planning and installation support please contact the Fisher & Paykel design support team.
designsupport@fisherpaykel.com



1" DOOR PANEL

- Ⓐ Door edge distance to cabinet side : 1 21/32"
- Ⓑ Gap between door corner and adjacent cabinetry: 1 11/32"

1" DOOR PANEL WITH 3/4" FRAMING

- Ⓐ Door edge distance to cabinet side : 2 3/8"
- Ⓑ Gap between door corner and adjacent cabinetry: 1 1/32"

1" OVERLAY DOOR PANEL

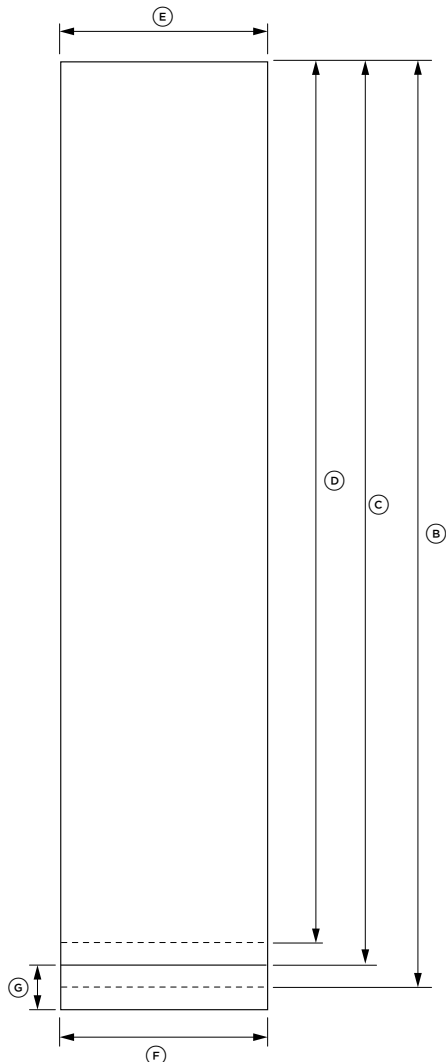
- Ⓐ Door edge distance to cabinet side : 9/16"
- Ⓑ Gap between door corner and adjacent cabinetry: 15/32"

NOTE: Panel widths must be adjusted for overlay panels.

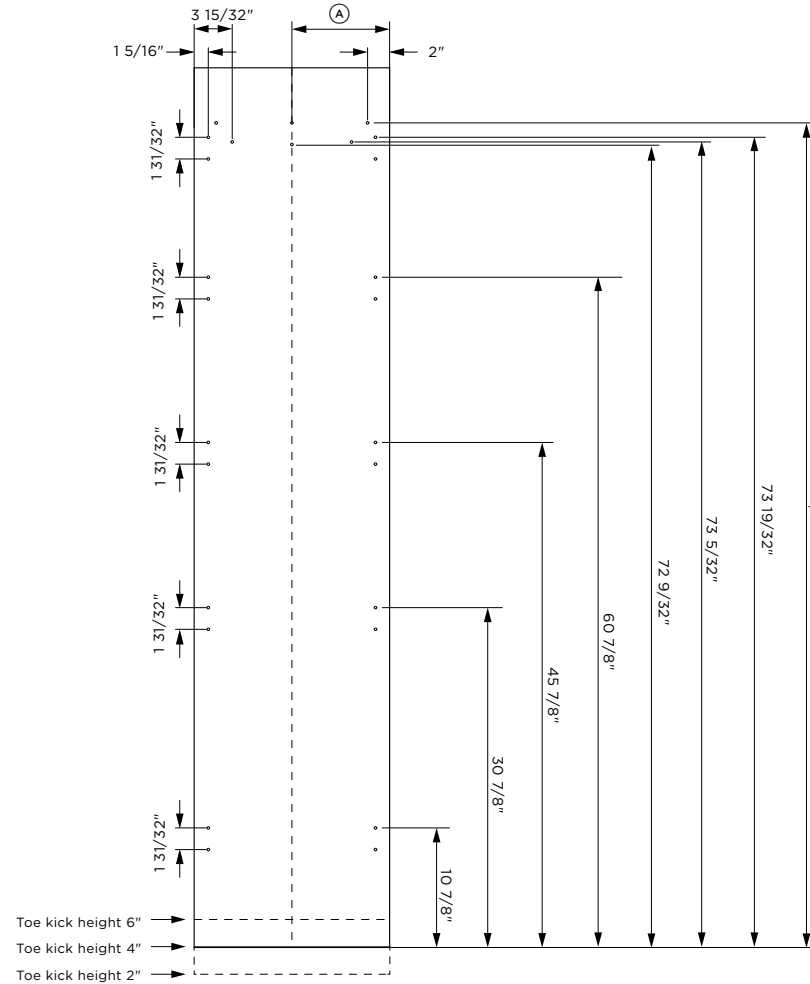
The models shown in this Planning Guide may not be available in all markets and are subject to change at any time. Product specifications may vary from those shown. This Planning Guide should not be used as installation guidance for any product. Further information is required to safely and correctly install the products featured here. Specific installation guidance will be available with the product on delivery and on our website fisherpaykel.com

CUSTOM PANEL PREPARATION

PANEL DIMENSIONS



MOUNTING HOLES



Model no:

Freezer RS1884FRJE, RS1884FLJE

Custom Panel Dimensions

	in	mm
(A) Centerline of panel		
RS1884F Single cavity	8 7/8	225.5
RS1884F Dual/triple cavity	8 29/32	226.5
(B) Height of door panel (standard 4" from floor)	79 7/8	2029
(C) Height of door panel (2" from floor)*	81 7/8	2080
(D) Height of door panel (6" from floor)*	77 7/8	1978
(E) RS1884F Width of single panel	17 3/4	451
RS1884F Width of dual/multiple panels	17 27/32	453
(F) RS1884 Width of toe kick	17 7/8	454
(G) Toe kick height**	2 - 6	51-152
Panel thickness	min 3/4	min 19

Clearance Dimensions*

Minimum cabinetry gap clearance from edge of door panel	1/8" or 3mm
---	-------------

*Take into account non-standard panel heights when drilling mounting holes.

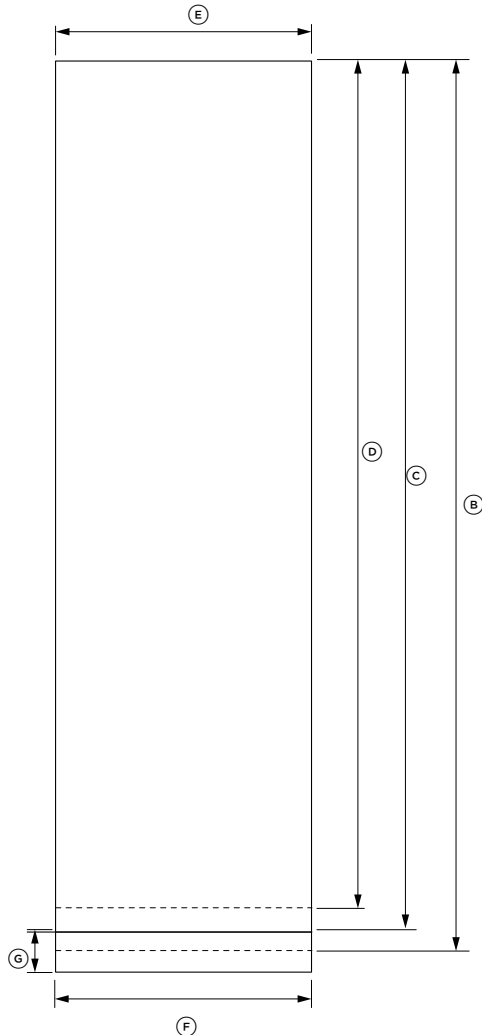
**Toe kick can height can vary depending on panel height and ventilation.

Custom door panels, toe kick and handles to be manufactured / fitted by a cabinet maker.

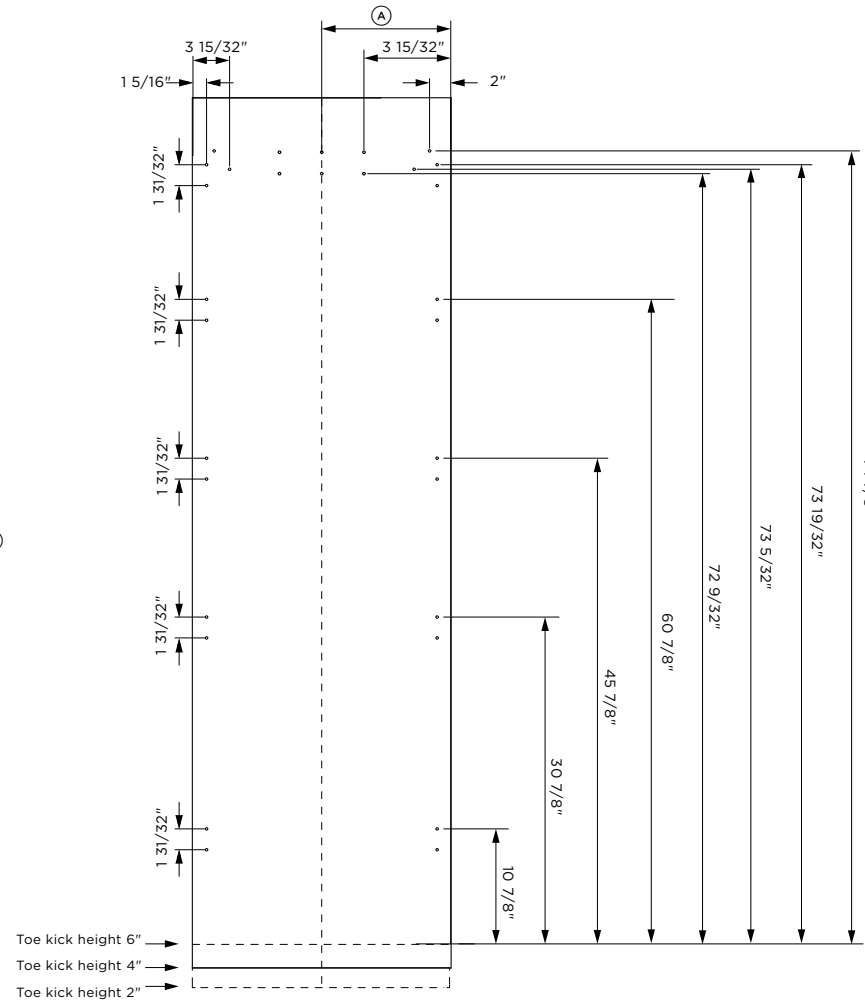
- INDICATES CABINETRY / PRODUCT DATUM
- INDICATES CABINETRY CLEARANCES
- INDICATES CUTOUT

IMPORTANT NOTE: Throughout this guide, dimensions may vary by ±2mm (1/16"). Please read the installation manual for detailed information on installing the product. For full installation instructions & specifications visit fisherpaykel.com

PANEL DIMENSIONS



MOUNTING HOLES



Model no:

Single Door Models
 RS2484SRHE, RS2484SLHE, RS2484FRJE, RS2484FLJE
 RS3084SRHE, RS3084SLHE, RS3084FRJE, RS3084FLJE

Custom Panel Dimensions	in	mm
A Centerline of panel		
RS2484 Single cavity	11 7/8	301.5
RS2484 Dual/triple cavity	11 29/32	302.5
RS3084 Single cavity	14 7/8	378
RS3084 Dual/triple cavity	14 15/16	379
B Height of door panel (standard 4" from floor)	79 7/8	2029
C Height of door panel (2" from floor)*	81 7/8	2080
D Height of door panel (6" from floor)*	77 7/8	1978
E RS2484 Width of single panel	23 3/4	603
RS2484 Width of dual/multiple panels	23 13/16	605
RS3084 Width of single panel	29 3/4	756
RS3084 Width of dual/multiple panels	29 27/32	758
F RS2484 Width of toe kick	23 7/8	606
RS3084 Width of toe kick	29 7/8	759
G Toe kick height**	2 - 6	51-152
Panel thickness	min 3/4	min 19

Clearance Dimensions*	mm
Minimum cabinetry gap clearance from edge of door panel	1/8" or 3mm

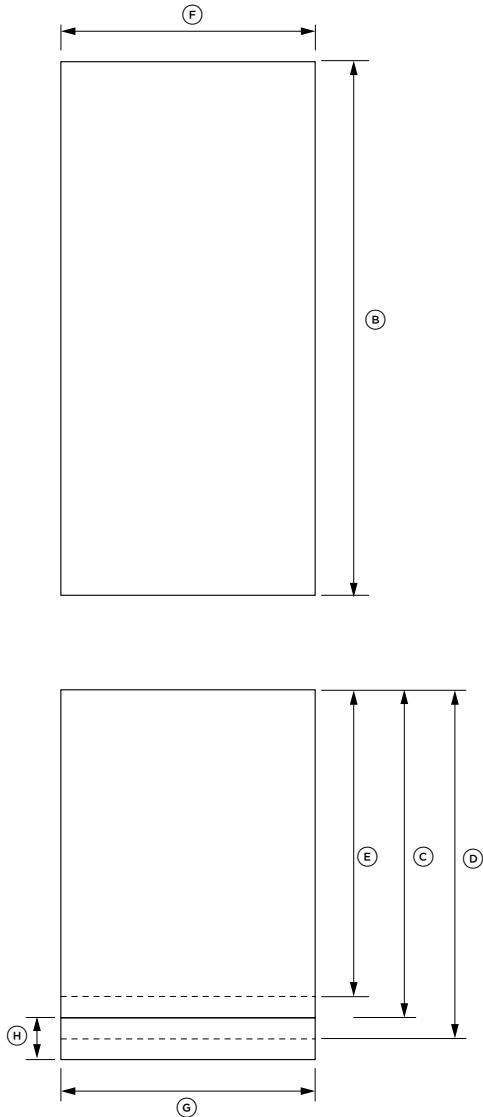
*Take into account non-standard panel heights when drilling mounting holes.
 **Toe kick can height can vary depending on panel height and ventilation.

Custom door panels, toe kick and handles to be manufactured / fitted by a cabinet maker.

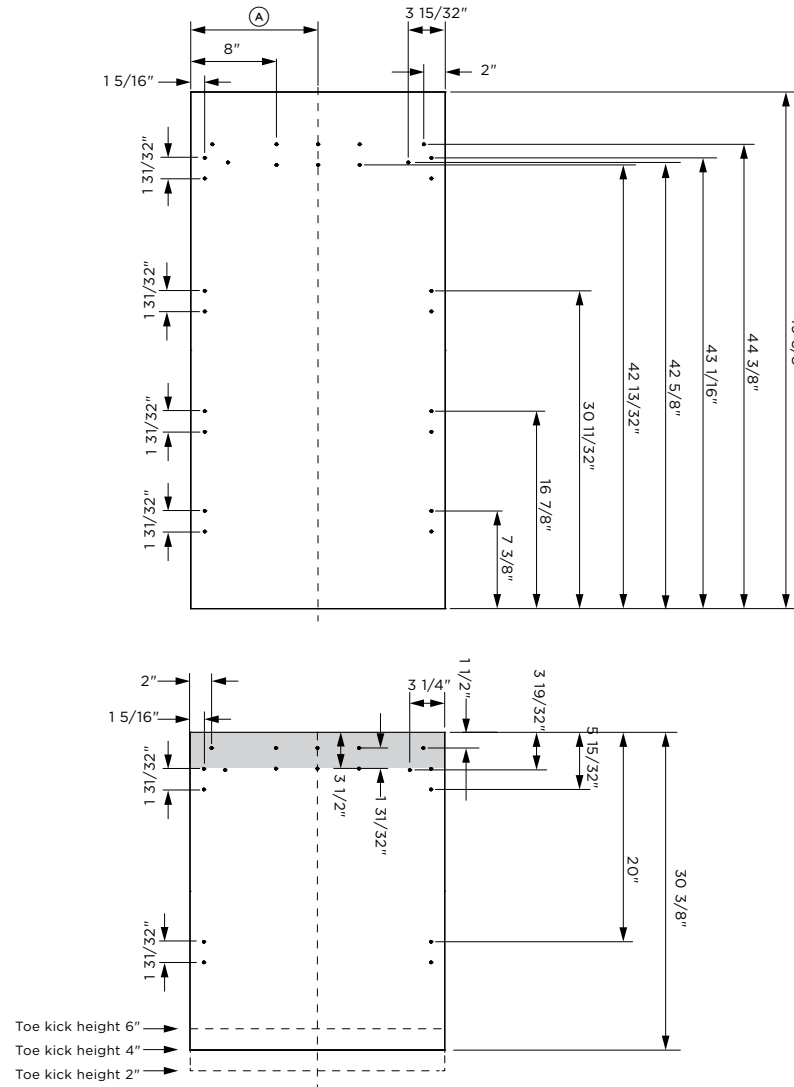
----- INDICATES CABINETRY / PRODUCT DATUM
 - - - - - INDICATES CABINETRY CLEARANCES
 - · - · - INDICATES CUTOUT

IMPORTANT NOTE: Throughout this guide, dimensions may vary by ±2mm (1/16"). Please read the installation manual for detailed information on installing the product. For full installation instructions & specifications visit fisherpaykel.com

PANEL DIMENSIONS



MOUNTING HOLES



Model no:

RS2484WRUE, RS2484WLUE, RS3084WRUE, RS3084WLUE, RS3684WRUVE, RS3684WLUVE

Custom Panel Dimensions	in	mm
(A) Centerline of panel		
RS2484W Single cavity	11 7/8	301.5
RS2484W Dual/triple cavity	11 29/32	302.5
RS3084W Single cavity	14 7/8	378
RS3084W Dual/triple cavity	14 15/16	379
RS3684W Single cavity	17 7/8	454
RS3684W Dual/triple cavity	17 29/32	455
(B) Height of door panel	49 3/8	1254
(C) Height of drawer panel (standard 4" from floor)	30 3/8	772
(D) Height of drawer panel (2" from floor)*	32 3/8	822
(E) Height of drawer panel (6" from floor)*	28 3/8	721
(F) RS2484 Width of single panel	23 3/4	603
RS2484 Width of dual/multiple panels	23 11/16	605
RS3084 Width of single panel	29 3/4	756
RS3084 Width of dual/multiple panels	29 27/32	758
RS3684W Width of single panel	35 3/4	908
RS3684W Width of dual/multiple panels	35 13/16	910
(G) RS2484 Width of toe kick	23 7/8	606
RS3084 Width of toe kick	29 7/8	759
RS3684 Width of toe kick	35 7/8	911
(H) Toe kick height**	2 - 6	51-152
Panel thickness	min 3/4	min 19

Clearance Dimensions*

	mm
Minimum cabinetry gap clearance from edge of door panel	1/8" or 3mm

*Take into account non-standard panel heights when drilling mounting holes.

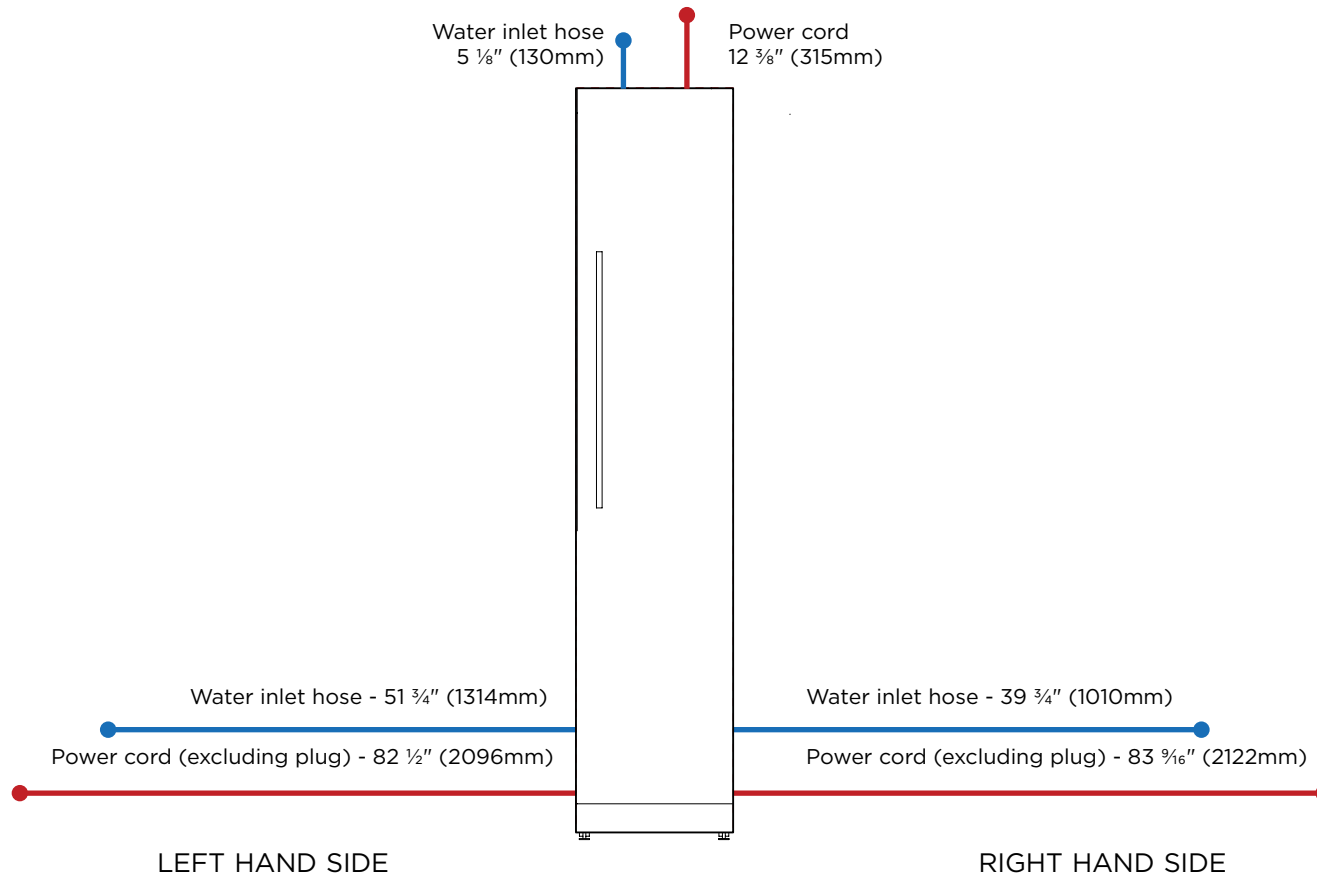
**Toe kick can height can vary depending on panel height and ventilation.

Custom door panels, toe kick and handles to be manufactured / fitted by a cabinet maker.

- INDICATES CABINETRY / PRODUCT DATUM
- INDICATES CABINETRY CLEARANCES
- INDICATES CUTOUT

IMPORTANT NOTE: Throughout this guide, dimensions may vary by ±2mm (1/16"). Please read the installation manual for detailed information on installing the product. For full installation instructions & specifications visit fisherpaykel.com

SERVICES



Electrical / Plumbing Specifications

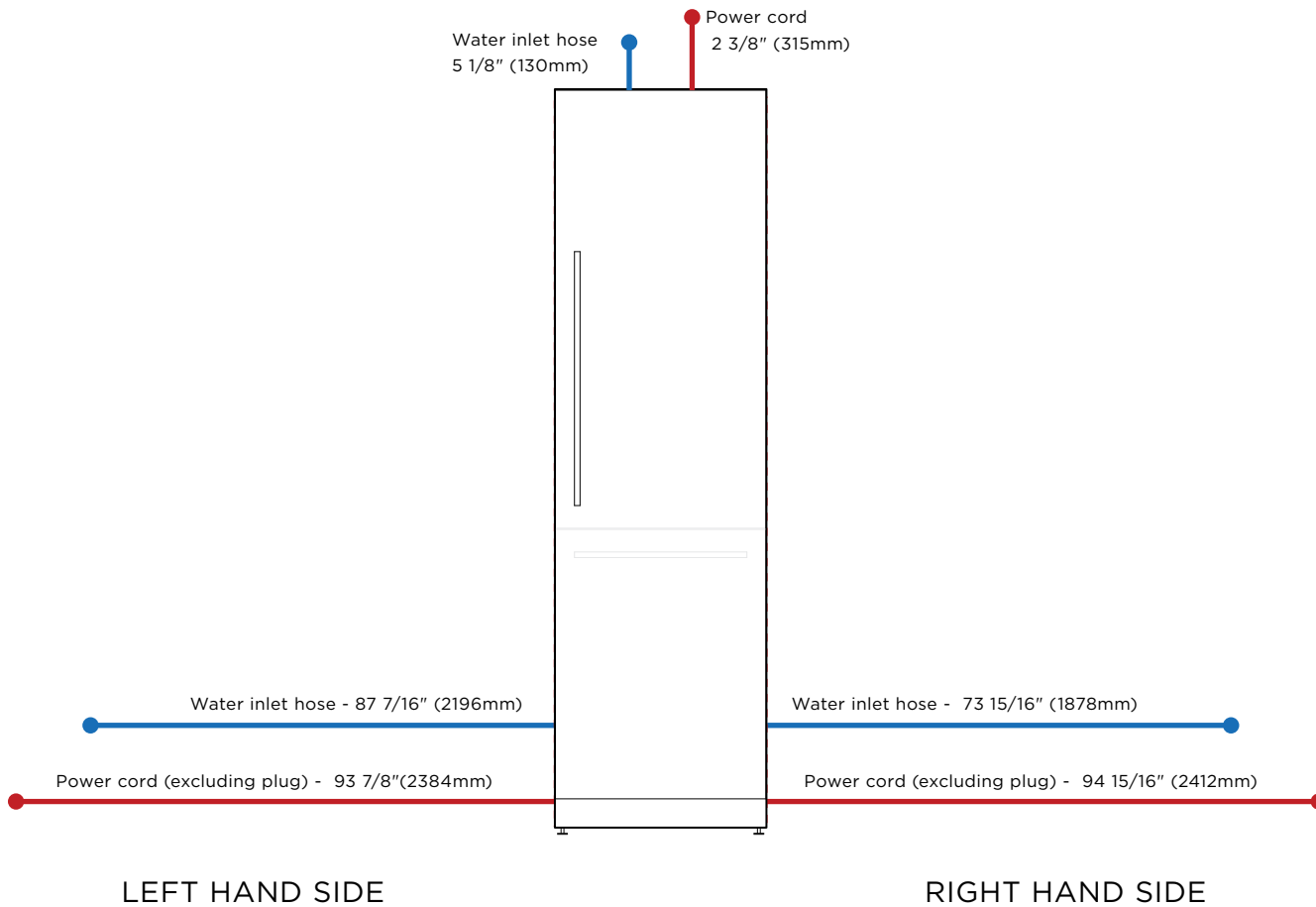
Specifications

Electrical	
Supply	230 V, 50 Hz
Service	10 A circuit
Plumbing	
Supply	AU/NZ 1/2" (12.7mm) comp. stainless steel braided with hose adopter GB/EU/CN 3/4" (19mm) comp. stainless steel braided with hose adopter
Pressure	min 150 kPa (22 psi) max 827 kPa (120 psi) @ 20°C (68°F)

NOTE: Connections may be located in an adjacent cabinet to either side of the fridge.

----- INDICATES CABINETRY / PRODUCT DATUM
 - - - - - INDICATES CABINETRY CLEARANCES
 - · - · - INDICATES CUTOUT

IMPORTANT NOTE: Throughout this guide, dimensions may vary by ±2mm (1/16"). Please read the installation manual for detailed information on installing the product. For full installation instructions & specifications visit fisherpaykel.com



ELECTRICAL SPECIFICATIONS

Model Number

RS2484SRHE, RS2484SLHE, RS2484FRJE, RS2484FLJE, RS2484WRUE, RS2484WLUE, RS2484VL2K, RS2484VR2K

Electrical

Supply	230 V, 50 Hz
Service	10 A

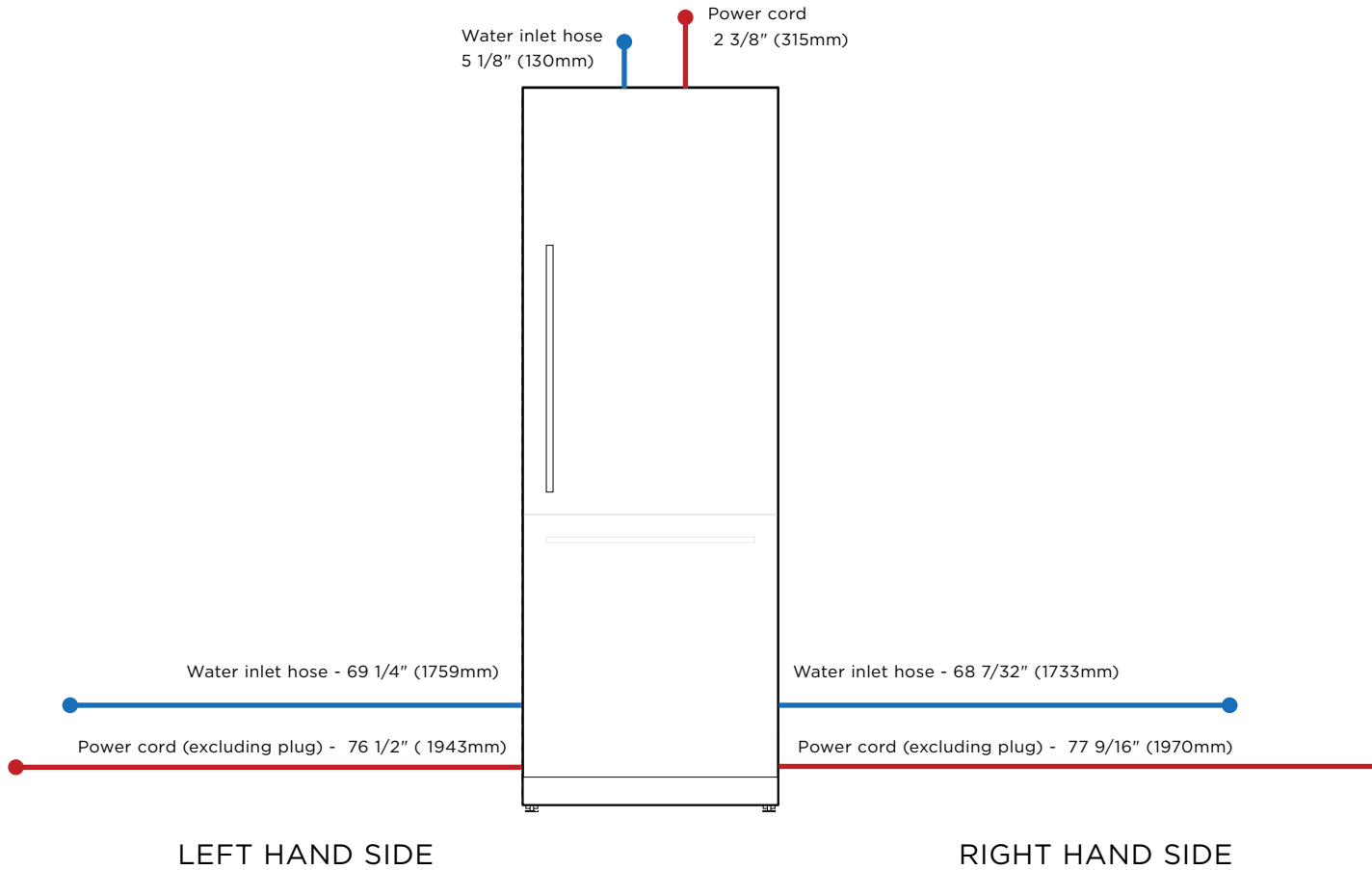
Plumbing

Supply	AU/NZ 1/2" (12.7mm) comp. stainless steel braided with hose adopter
	GB/EU/CN 3/4" (3/4") comp. stainless steel braided with hose adopter
Pressure	min 150 kPa (22 psi) max 827 kPa (120 psi) @ 20°C (68°F)

NOTE: Connections may be located in an adjacent cabinet to either side of the fridge.

----- INDICATES CABINETRY / PRODUCT DATUM
 - - - - - INDICATES CABINETRY CLEARANCES
 - - - - - INDICATES CUTOUT

IMPORTANT NOTE: Throughout this guide, dimensions may vary by ±2mm (1/16"). Please read the installation manual for detailed information on installing the product. For full installation instructions & specifications visit fisherpaykel.com



ELECTRICAL SPECIFICATIONS

Model Number

RS3084SRHE, RS3084SLHE, RS3084FRJE, RS3084FLJE,
RS3084WRUE, RS3084WLUE

Electrical

Supply	230 V, 50 Hz
Service	10 A

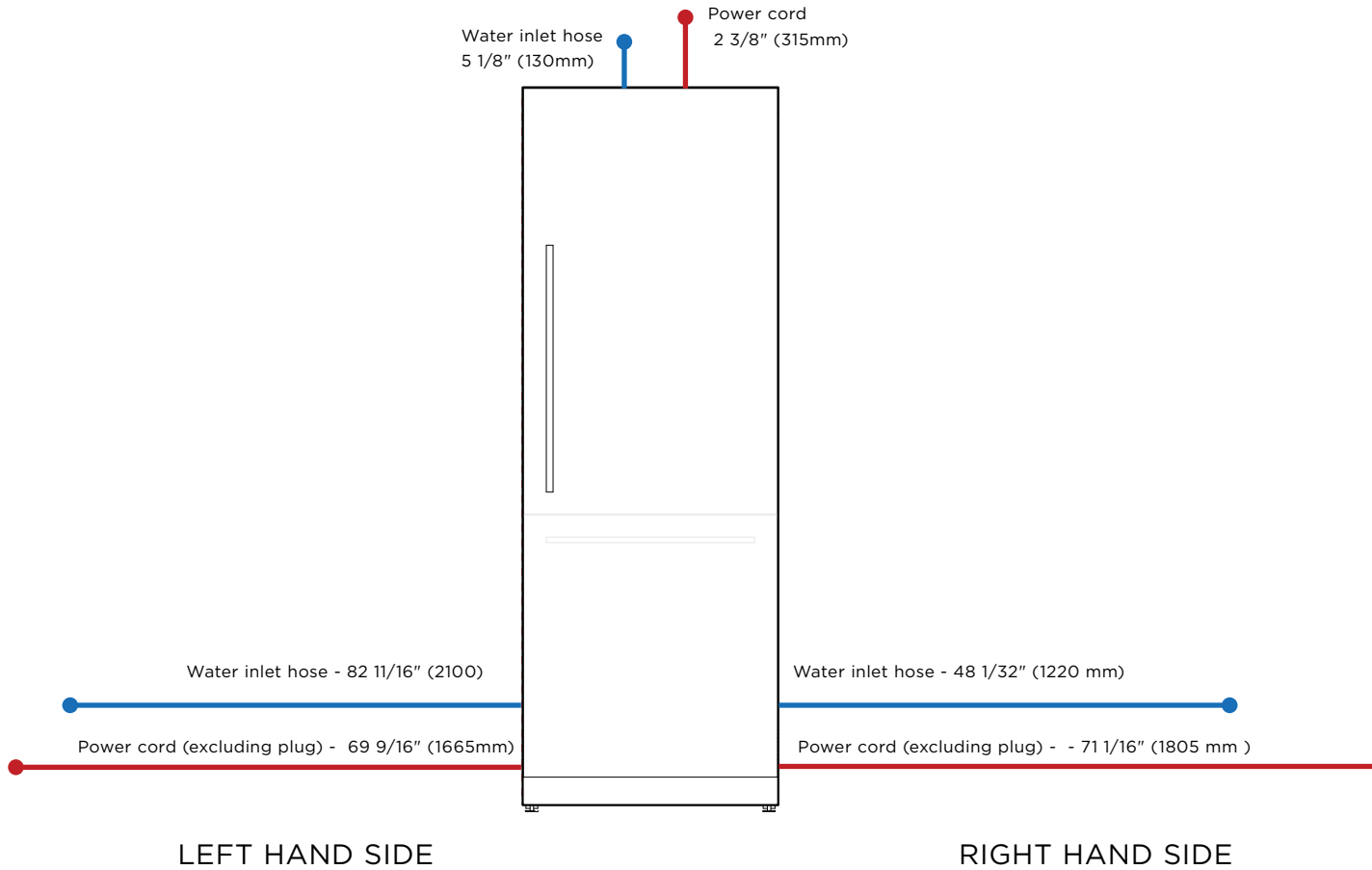
Plumbing

Supply	AU/NZ 1/2" (12.7mm) comp. stainless steel braided with hose adopter
	GB/EU/CN 3/4" (3/4") comp. stainless steel braided with hose adopter
Pressure	min 150 kPa (22 psi) max 827 kPa (120 psi) @ 20°C (68°F)

NOTE: Connections may be located in an adjacent cabinet to either side of the fridge.

----- INDICATES CABINETRY / PRODUCT DATUM
 - - - - - INDICATES CABINETRY CLEARANCES
 - - - - - INDICATES CUTOUT

IMPORTANT NOTE: Throughout this guide, dimensions may vary by ±2mm (1/16"). Please read the installation manual for detailed information on installing the product. For full installation instructions & specifications visit fisherpaykel.com



ELECTRICAL SPECIFICATIONS

Model Number

RS3684WRUVE, RS3684WLUVE, RS3684AUVE

Electrical

Supply	230 V, 50 Hz
Service	10 A

Plumbing

Supply	AU/NZ 1/2" (12.7mm) comp. stainless steel braided with hose adopter
	GB/EU/CN 3/4" (3/4") comp. stainless steel braided with hose adopter
Pressure	min 150 kPa (22 psi) max 827 kPa (120 psi) @ 20°C (68°F)

NOTE: Connections may be located in an adjacent cabinet to either side of the fridge.

----- INDICATES CABINETRY / PRODUCT DATUM
 - - - - - INDICATES CABINETRY CLEARANCES
 - - - - - INDICATES CUTOUT

IMPORTANT NOTE: Throughout this guide, dimensions may vary by ±2mm (1/16"). Please read the installation manual for detailed information on installing the product. For full installation instructions & specifications visit fisherpaykel.com

