

Freestanding Refrigerator Freezer, 79cm, 491L, Ice & Water

Series 5 | Contemporary

Stainless Steel | Right Hinge

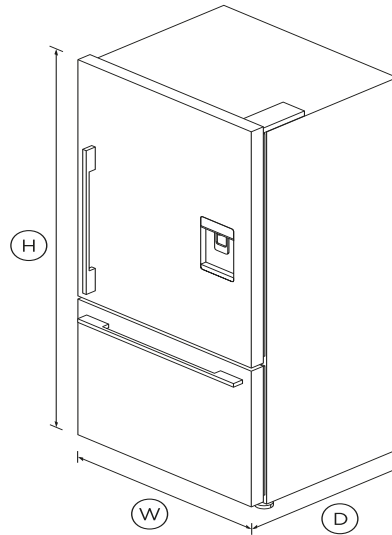


With ample storage and a stylish stainless steel finish, for a timeless look.

- ActiveSmart™ technology helps keep food fresher for longer by constantly maintaining the ideal temperature
- Spacious bottom freezer with full extension drawer gives easy access to frozen goods.
- Door water dispenser and internal ice maker

DIMENSIONS

| | |
|--------|--------|
| Height | 1715mm |
| Width | 790mm |
| Depth | 695mm |



FEATURES & BENEFITS

ActiveSmart™ Foodcare

ActiveSmart™ Foodcare learns how you live. It's technology which understands how you use your refrigerator and adjusts temperature, airflow and humidity inside to help keep food fresher for longer.

Clever energy

Your refrigerator adapts to daily use by cooling and defrosting only when needed. This means it uses the energy it needs without compromising on food care.

Easy Cleaning

No more permanent dirty marks with our EZKleen feature for stainless steel refrigerators. Anti-fingerprint coating means you simply wipe clean any marks. Spill-safe secure glass shelves easily capture any drips or leaks.

Ice Maker

Fresh ice is always available for you in a dedicated freezer bin. Simply turn it off to free up freezer space or during busy times, you can boost ice production by up to 30%.

Simple storage

This refrigerator is designed to make it simple for you to store, access and remove food. Storage bins give you full access inside when they're pulled open and can be easily removed to clean. Our flexible shelving also gives you more storage options.

WATER ON TAP

The slimline dispenser makes it easy to fill almost any sized jug or vessel with cool filtered water and doesn't take up any storage space in your refrigerator.

Design quality

Our refrigerators are designed and built using quality materials. We use real stainless steel, and solid glass for shelving.

SPECIFICATIONS

Accessories (sold separately)

| | |
|-------------------------|-------|
| Handle kit Contemporary | 25338 |
|-------------------------|-------|

Capacity

| | |
|---------------------|------|
| Total net volume | 490L |
| Volume freezer | 142L |
| Volume refrigerator | 348L |

Consumption

| | |
|----------------------|------------------------|
| Energy rating | 3.5 star |
| Energy usage | 414kWh/year |
| In-use energy carbon | 56.1kgCO2e/year |

Features

| | |
|----------------------------|----------|
| Adjustable door shelves | 4 |
| Adjustable glass shelves | 4 |
| Adjustable half width door | 2 |
| Covered door shelves | 2 |
| Door alarm | • |
| Front levelling feet | • |
| Full extension runners | • |
| Full width door shelves | 2 |
| LED lighting | • |
| Rear rollers | • |
| Single bottle holders | 4 |
| SmartTouch control panel | • |
| Ultra slim water dispenser | • |

Freezer Features

| | |
|---------------------|----------|
| Automatic ice maker | • |
| Bottle chill | • |
| Door alarm | • |
| Fast freeze | • |
| Ice Boost | • |
| Ice bin and scoop | • |
| Large plastic bins | • |
| Small plastic bins | • |

Performance

- ActiveSmart™ Foodcare
- Adaptive defrost
- Frost free freezer
- Humidity control system
- Inverter controlled compressor
- R600a refrigerant
- Sabbath mode

Power requirements

| | |
|----------------|-------------------|
| Supply voltage | 220 - 240V |
|----------------|-------------------|

Product dimensions

| | |
|--------|---------------|
| Depth | 695mm |
| Height | 1715mm |
| Width | 790mm |

Warranty

| | |
|--------------------------|---------------------------|
| Parts and labour | 2 years |
| Sealed system parts only | additional 3 years |

| | |
|-----|--------------|
| SKU | 26476 |
|-----|--------------|

The product dimensions and specifications in this page apply to the specific product and model. Under our policy of continuous improvement, these dimensions and specifications may change at any time. You should therefore check with Fisher & Paykel's Customer Care Centre to ensure this page correctly describes the model currently available. Fisher & Paykel Appliances Ltd 2020

Where applicable:

All appliances use energy, and energy usage typically generates carbon emissions.

Fisher & Paykel Appliances' In-use Energy Carbon Emissions Estimate indicates

carbon emissions from a product's in-use energy. This is calculated either annually or per cycle, using the product's market-specific energy label energy consumption data multiplied by the carbon emissions factor for energy in your country or region.

Our In-use Energy Carbon Emissions Estimate is designed to assist customers in making informed purchasing decisions when comparing different Fisher & Paykel products. For example, a heat pump dryer typically has a lower In-use Energy Carbon Emissions Estimate than a vented dryer.

Other product downloads available at fisherpaykel.com



Service & Warranty



Installation & User Guide Refrigerator



User Guide



Energy Label



Water Filter Replacement Instructions & Installation Guide
EN



Installation Guide



Data Sheet Freestanding Refrigerator Freezer



A PEACE OF MIND SALE

24 Hours 7 Days a Week Customer Support

T 0800 372 273 W www.fisherpaykel.com