

# FISHER & PAYKEL

## SPECIFICATION GUIDE

## INTEGRATED SINGLE DISHDRAWER™ DISHWASHER, SANITISE SERIES 9, INTERGRATED STYLE



### OVERVIEW

A compact size to fit anywhere, room to wash a half load and less bending.

### MODELS

**Integrated Single DishDrawer™ Dishwasher, Sanitise**  
Panel Ready  
DD60SI9

**Integrated Single DishDrawer™ Dishwasher, Sanitise**  
Panel Ready  
DD60SHI9

### SERIES & STYLE

Series 9  
Integrated Style

### FEATURES

- ① Customise with your own kitchen cabinetry or purchase our stainless steel door panel accessory
- ② Six wash program, from delicate to heavy to suit any load
- ③ Additional Quick wash, Sanitise and Extra Dry options
- ④ Can be positioned at bench height, for easy of loading and minimal bending.
- ⑤ Flexible racking can be folded down to fit bigger dishes
- ⑥ Spray arm sensing, for a more reliable wash
- ⑦ With soft-close mechanism and knock-to-pause function

### ACCESSORIES

- ① Optional contemporary square handle kit
- ② Optional contemporary round handle kit
- ③ Optional stainless steel door kit
- ④ Cutlery basket
- ⑤ Knife clip and multipurpose clip

# FISHER & PAYKEL

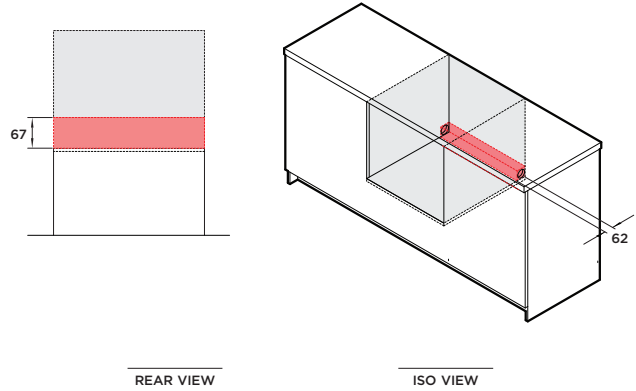
## SPECIFICATION GUIDE

## INTEGRATED SINGLE DISHDRAWER™ DISHWASHER, SANTISE SERIES 9, INTERGRATED STYLE

### SPECIFICATIONS

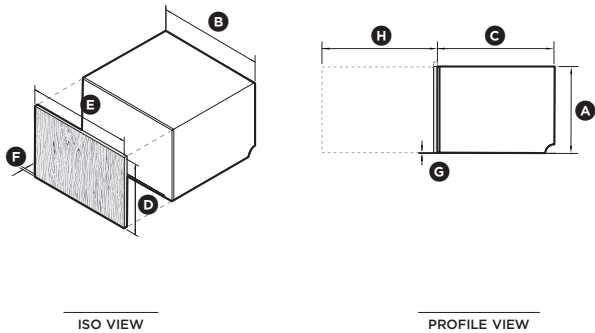
Model No.	DD60SI9, DD60SHI9
Dimensions	H 454mm x W 599mm x D 571mm
Electrical	
Supply	220 240V, 50Hz
Service	4.2A
Receptacle	3 pin earthing-type
Plumbing	
Supply	3/4" BSP (GB20) to suit flat washer
Pressure	Water softener models: max. 1 MPa (145 psi), min. 0.1 MPa (14.5 psi) Non-water softener models: max. 1 MPa (145 psi), min. 0.03 MPa (4.3 psi)

### PLUMBING AND ELECTRICAL

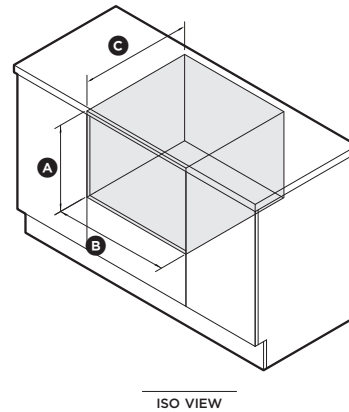


Service outlet at rear extends both sides, hoses and cords can be routed to either or both sides

### PRODUCT DIMENSIONS



### CAVITY DIMENSIONS: STANDARD INSTALLATION



	mm
(A) Overall height of chassis*	410
(B) Overall width of chassis*	599
(C) Overall depth of chassis*	553
(D) Minimum height of custom front panel	408
(E) Width of custom front panel	596 - 615
(F) Depth of custom front panel	16 - 20
(G) Height of gap below front panel	min 2
(H) Depth of open drawer	527

\*Does not include custom front panel

	mm
(A) Overall height	min 412
(B) Overall width	600
(C) Minimum overall depth of cavity*	579

\*Assumes a door panel thickness of 19mm