

Integrated Insert Rangehood, 60cm

Series 7 | Integrated

Stainless Steel and Glass

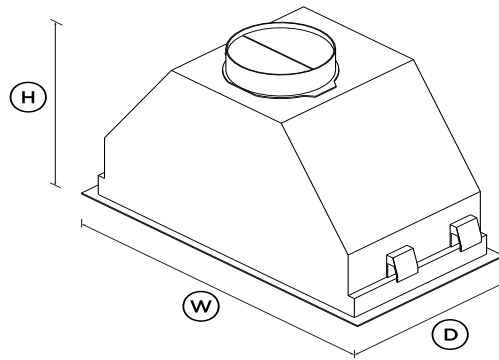


With edge-to-edge extraction, this rangehood is perfectly hidden away in your cabinetry.

- With three fan speeds plus a boost function, select the perfect extraction rate for your cooking
- Powerful maximum air movement of 780m³/hr
- Energy-efficient LED lighting to illuminate your cooking surface
- Wi-Fi enabled for notifications through the SmartHQ™ app

DIMENSIONS

Height	316mm
Width	530mm
Depth	280mm



FEATURES & BENEFITS

Achieve The Invisible

This stylish rangehood fits seamlessly into your kitchen cabinetry, providing ventilation that is as discreet as it is powerful.

Effective Extraction

Featuring three fan speeds, plus a boost function, this rangehood provides powerful extraction to quickly remove odours and steam. Odours can linger in the kitchen well after cooking is finished so the timer keeps the hood working for up to 15 minutes before automatically turning off.

Easy Cleaning

Designed for simple removal, the filters are easy to clean and dishwasher safe, while the glass and stainless steel finish is easily wiped clean. The SmartHQ™ app will notify you when to clean the filter to ensure you get the best performance out of your rangehood.

Quality Materials

This rangehood comes in a sleek black glass finish with a real stainless steel frame.

Full Surface Lighting

Low energy, dimmable LED lights provide superb illumination of the entire cooking surface.

SPECIFICATIONS

Accessories

Aluminium filter	792942
------------------	--------

Accessories (sold separately)

Eave ducting kit	PD-RHK150E
Recirculation carbon filter	793599
Roof ducting kit	PD-RHK150T
Side wall ducting kit	PD-RHK150W

Fan ratings

Maximum air movement	810m ³ /hr
----------------------	-----------------------

Installation and cleaning

Dishwasher safe filters	2
Ducted	Top extraction
Recirculation	Optional - top extraction
Stainless steel filter cover	•

Two piece height adjustable •

Performance

Extraction type **Perimeter**
 Fan speeds **3**
 Filter type **Mesh with perimeter**
 Number of filters **2**

Power requirements

Motor power **240W**
 Supply frequency **50Hz**
 Supply voltage **220 – 240V**

Product dimensions

Depth **280mm**
 Height **316mm**
 Width **530mm**

Product information

Control type **Capacitive touch**

Ventilation features

Auto-off/Run-on timer •
 Dimmable lights •
 Filter cleaning alert •
 Light type **LED strip**
 Wi-Fi connectivity •

Warranty

Parts and labour **2 years**

SKU 50189

The product dimensions and specifications in this page apply to the specific product and model. Under our policy of continuous improvement, these dimensions and specifications may change at any time. You should therefore check with Fisher & Paykel's Customer Care Centre to ensure this page correctly describes the model currently available. Fisher & Paykel Appliances Ltd 2020


Where applicable:

All appliances use energy, and energy usage typically generates carbon emissions. **Fisher & Paykel Appliances' In-use Energy Carbon Emissions Estimate** indicates carbon emissions from a product's in-use energy. This is calculated either annually or per cycle, using the product's market-specific energy label energy consumption data multiplied by the carbon emissions factor for energy in your country or region.

Our In-use Energy Carbon Emissions Estimate is designed to assist customers in making informed purchasing decisions when comparing different Fisher & Paykel products. For example, a heat pump dryer typically has a lower In-use Energy Carbon Emissions Estimate than a vented dryer.

Other product downloads available at fisherpaykel.com

- [↓ Service & Warranty](#)
- [↓ User Guide Integrated Insert Rangehood](#)
- [↓ Installation Guide Integrated Insert Rangehood](#)
- [↓ Preliminary Specification Guide Rangehood](#)
- [↓ Data Sheet Insert Rangehood](#)

A PEACE OF MIND SALE
 **24 Hours 7 Days a Week Customer Support**
T 1300 650 590 Wwww.fisherpaykel.com