

# Oven, 60cm, 5 Function

Series 5 | Contemporary

Stainless Steel

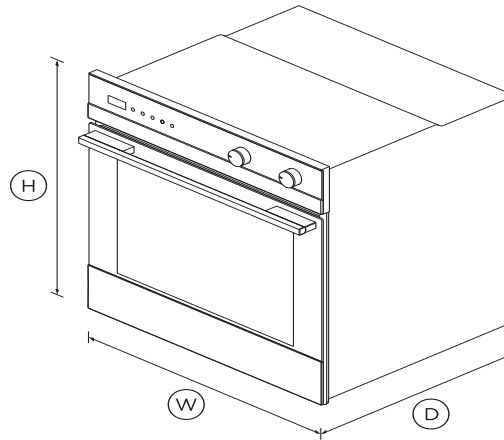


With generous capacity and beautiful contemporary styling, this built-in oven will complement your kitchen design perfectly.

- 85L total capacity
- Five oven functions including Pizza Bake

## DIMENSIONS

Height	598mm
Width	596mm
Depth	565mm



## FEATURES & BENEFITS

### Multi-function Flexibility

This built-in oven has five functions including Bake, Fan Bake and Pizza Bake, allowing you to use a variety of cooking styles.

### Generous capacity

With a generous sized internal cavity of 85L total capacity, you can create several dishes at once using multiple shelves.

### Consistently hot

Ideal for multi-shelf cooking, this built-in oven features

AeroTech™ - a technology that circulates heat evenly.

### Fast and easy cleaning

Cleaning this built-in oven is quick and easy thanks to the optional catalytic liners which absorb oil and fat splashes during cooking.

### Refined styling

With sophisticated handle styling and black glass finish, our built-in ovens are designed to match the rest of Fisher & Paykel's kitchen appliance family.

### Safe and sound

The CoolTouch door of this built-in oven is safe to touch from the outside. Sturdy, fully extendable shelves slide all the way out, reducing the need for you to reach inside.

## SPECIFICATIONS

### Accessories

Catalytic panels	•
Chromed shelf runners	•
Full extension sliding shelves	Optional (part 565048)
Full extension telescopic	Optional (part 565048)
Optional Accessory round	Part 81645
Optional catalytic panels	Part 562816
Optional round handle	Part 81645
Roasting dish	1
Step down wire shelf	1
Telescopic sliding runners	1 set
Telescopic sliding shelves	1 set

### Capacity

Shelf positions	6
Total gross	85L

**Cleaning**

- Acid resistant graphite enamel •
- Removable oven door •
- Removable oven door inner •
- Removable shelf runners •

**Controls**

- Automatic cooking/minute •
- Electronic clock •

**Functions**

- Bake •
- Fan bake •
- Fan grill •
- Grill •
- Number of functions **5**
- Pastry Bake with Pizza mode •
- Pizza bake •

**Performance**

- AeroTech™ technology •
- Grill power **3000W**
- Whisper quiet cooking •

**Power requirements**

- Supply frequency **50Hz**
- Supply voltage **220 - 240V**

**Product dimensions**

Depth	<b>565mm</b>
Height	<b>598mm</b>
Width	<b>596mm</b>

**Safety**

- Advanced cooling system •
- Balanced oven door •
- CoolTouch door •
- Non-tip shelves •

SKU **81748**

TEST The product dimensions and specifications in this page apply to the specific product and model. Under our policy of continuous improvement, these dimensions and specifications may change at any time. You should therefore check with Fisher & Paykel's Customer Care Centre to ensure this page correctly describes the model currently available. ? Fisher & Paykel Appliances Ltd 2020

**Other product downloads available at fisherpaykel.com**

- [↓](#) User Guide
- [↓](#) Service & Warranty
- [↓](#) Installation Guide
- [↓](#) Data Sheet Oven



**A PEACE OF MIND SALE**

**24 Hours 7 Days a Week Customer Support**

**T 0800 372 273 W www.fisherpaykel.com**