

FISHER & PAYKEL

FREESTANDING COOKER

OR90 Induction models

INSTALLATION GUIDE

NZ AU UK IE EU

⚠ WARNING!

Electrical Shock Hazard

Failure to follow this advice may result in electric shock or death.



- Before carrying out any work on the electrical section of the appliance, it must be disconnected from the mains electricity supply.
- Connection to a good earth wiring system is absolutely essential and mandatory.
- Alterations to the domestic wiring system must only be made by a qualified electrician.

⚠ WARNING!

Cut Hazard

Failure to use caution could result in injury or cuts.



- Take care - some edges are sharp.

⚠ WARNING!

Tipping Hazard

Failure to do so can result in death or serious burns to children of adults.



- To reduce the risk of tipping the appliance, the appliance must be secured by properly installed anti-tip device packed with the appliance.
- A child or adult can tip the cooker and be killed.
- Install the anti-tip device to the structure by fastening the supplied bracket to the floor and wall following the instructions for installing the anti-tip device.
- Engage the anti-tip device.
- Re-engage the anti-tip device if the cooker is moved.

WARNING!

To avoid hazard, follow these instructions carefully before installing or using this appliance.

- Please make this information available to the person installing the appliance – doing so could reduce your installation costs.
- This appliance must be installed and connected to the mains power supply only by a suitably qualified person according to these installation instructions and in compliance with any applicable local building and electricity regulations. Failure to install the appliance correctly could invalidate any warranty or liability claims.
- If the power supply cable is damaged, it must be replaced by the manufacturer, its service agent or similarly qualified person in order to avoid a hazard.
- Isolating switch: ensure this cooker is connected to a circuit which incorporates an isolating switch providing full disconnection from the power supply in accordance with the wiring rules.
- The cooker must be earthed.
- Do not use adaptors, reducers or branching devices to connect the cooker to the mains electricity supply, as they can cause overheating and burning.
- Check for damage after unpacking and that the cooker door closes correctly.
- Some appliances are supplied with a protective film on steel and aluminium parts. This film must be removed before using the appliance.
- Packing elements (ie plastic bags, polystyrene foam, nails, packing straps, etc.) should not be left around within easy reach of children, as these may cause serious injuries.
- Ensure you recycle the packaging material where possible.
- The manufacturer accepts no responsibility for the incorrect installation of appliances. Incorrect installation may result in personal injury, damage to property and may invalidate any warranty or liability claims.
- Do not modify this appliance.
- Before disposing of any appliance, ensure that it can no longer be used and that all hazardous parts are removed or made harmless, so that children playing with the old appliance cannot harm themselves.
- The various components of the appliance are recyclable. Dispose of them in accordance with the regulations in force in your country. If the appliance is to be scrapped, remove the power cord.

GENERAL INSTALLATION INFORMATION

Cleaning and servicing

- Service should only be performed by an authorised technician.
- Always disconnect the appliance from mains power supply before carrying out any maintenance operations or repairs.
- When removing appliance for cleaning and/or service:
 - Disconnect power supply.
 - Carefully remove the cooker by pulling outward.
 - The misuse of oven door (eg stepping, sitting, or leaning on them) can result in potential hazards and/or injuries.
 - When installing or removing the cooker for service, a rolling lift jack should be used. Do not push against any of the edges of the cooker in an attempt to slide it into or out of the installation. Pushing or pulling a cooker (rather than using a lift jack) also increases the possibility of bending the leg spindles or the internal coupling connectors.

IMPORTANT!

- Cooker is heavy; use care in handling.
- Do not lift the cooker by the oven door handle or hob rail, or by lifting the cooktop trim as this may damage the appliance.

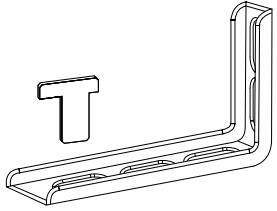
Replacement parts

- Only authorised replacement parts may be used in performing service on the cooker.
- Replacement parts are available from factory authorised parts distributors.
- Contact the nearest parts distributor in your area.

IMPORTANT! SAVE THESE INSTRUCTIONS

The models shown in this installation guide may not be available in all markets and are subject to change at any time. For current details about model and specification availability in your country, please go to our website fisherpaykel.com or contact your local Fisher & Paykel dealer.

PARTS SUPPLIED FOR INSTALLATION



Anti-tip bracket and lock pin (1)



Screws and plastic sleeve anchors (2)

TOOLS NEEDED FOR INSTALLATION (NOT SUPPLIED WITH THE APPLIANCE)

IMPORTANT!

THIS APPLIANCE MUST BE INSTALLED BY A QUALIFIED INSTALLER.

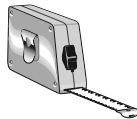
- Improper installation, adjustment, alteration, services, or maintenance can cause injury or property damage. Consult a qualified installer or the service agent.
- The use of suitable protective clothing/gloves is recommended when handling or installing this appliance.



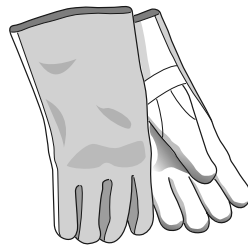
Screwdriver



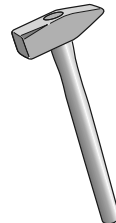
Pencil



Tape measure



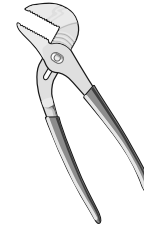
Suitable protective gloves



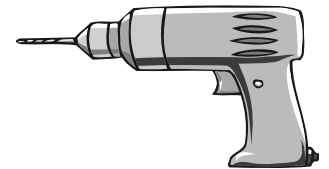
Hammer



Adjustable wrench



Adjustable pliers



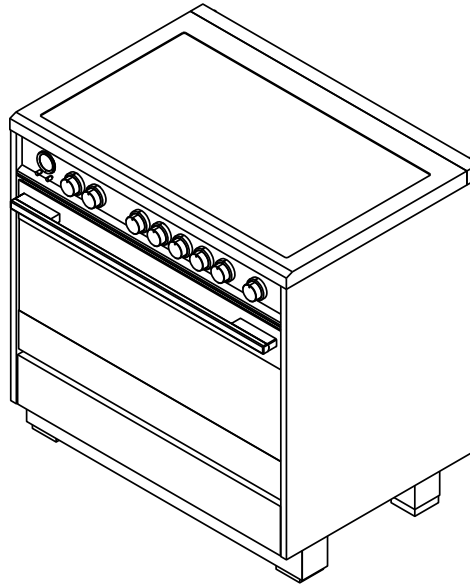
Drill

MODEL IDENTIFICATION

Model features may vary.

OR90 Induction models

OR90SC11
OR90SC14
OR90SC16
OR90SD16
OR90SPI6X1



PRIOR TO INSTALLATION

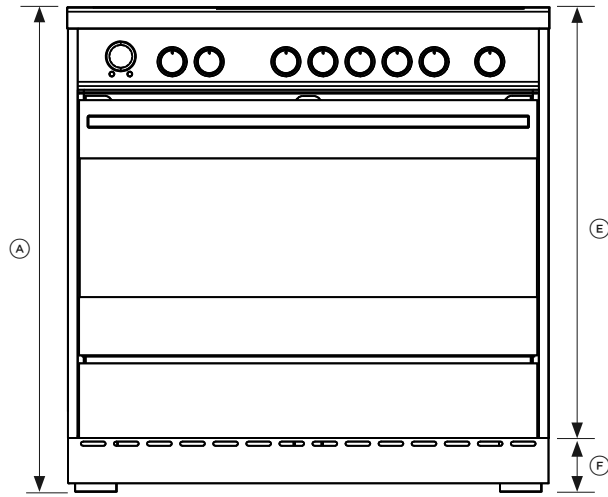
Unpacking and handling

- Inspect the cooker to verify that there is no shipping damage. If any damage is detected, call the shipper and initiate a damage claim. Fisher & Paykel is not responsible for shipping damage.
- DO NOT discard any packing material until the cooker has been inspected.
- Remove the outer carton and any packing material from cooker. Some models are supplied with a protective film on steel and aluminum parts. This film must be removed before installing or using the appliance.

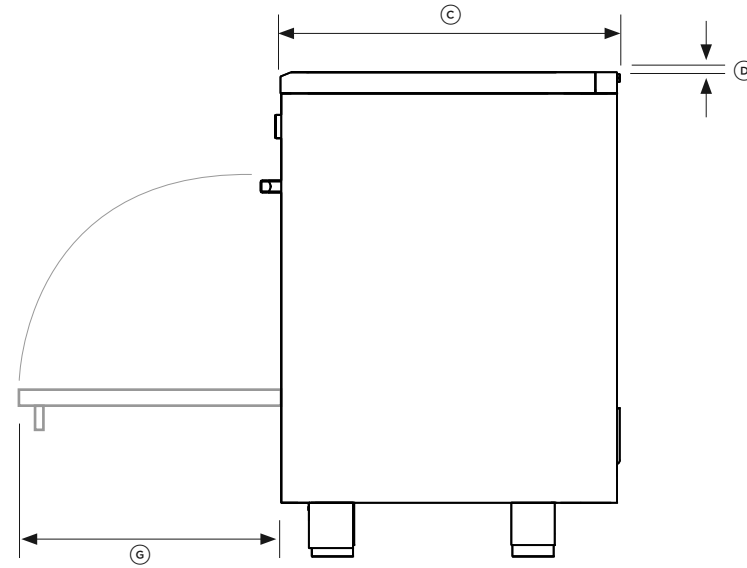
PRODUCT DIMENSIONS

Model features may vary.

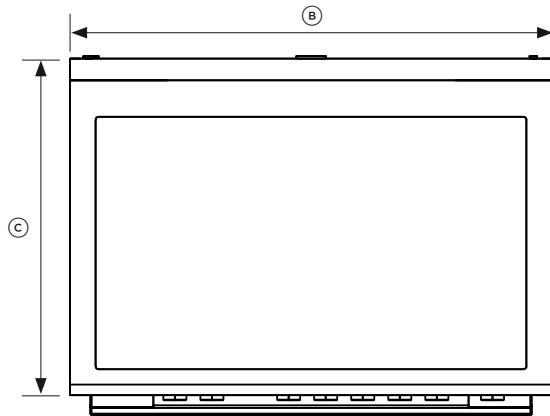
Optional kickstrip available (purchased separately).



FRONT



PROFILE

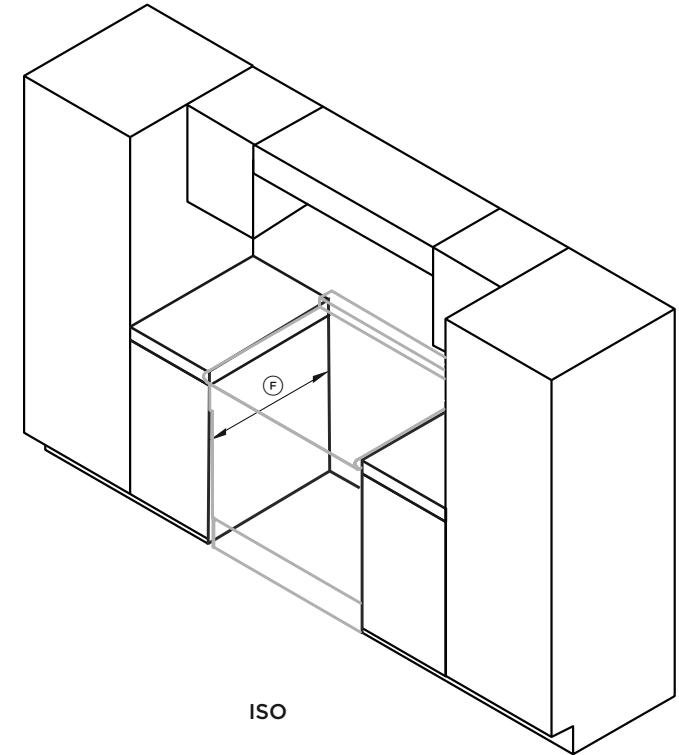
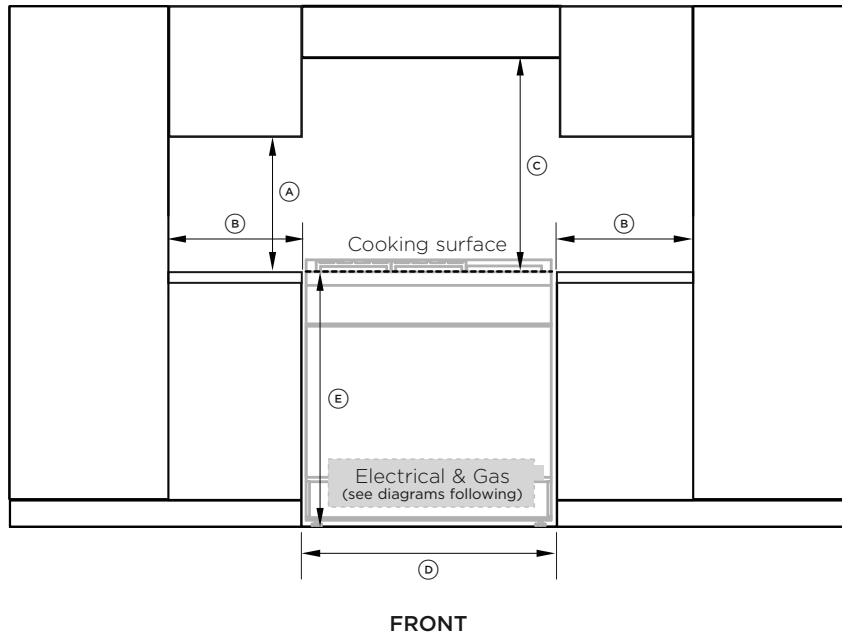


PLAN

PRODUCT DIMENSIONS

	OR90
	mm
① Overall height of cooker (from floor to top of cooktop, excl. optional backguard)	min 898 max 946
② Overall width of cooker	897
③ Overall depth of cooker (from front of cooker to rear of island trim/backguard, excl. handles and dials)	600
④ Height of optional backguard from top of cooktop (supplied with some models only)	60
⑤ Height of chassis (excl. adjustable feet)	813
⑥ Adjustable feet height	min 85 max 133
⑦ Depth of open door to front of cooker	451

CLEARANCE DIMENSIONS



CLEARANCE DIMENSIONS

	OR90
	mm
Ⓐ Minimum vertical distance between benchtop and cabinet extending above counter	450
Ⓑ Minimum clearance from left and right edge of cooker to nearest vertical combustible surface	50
Ⓒ Minimum clearance from cooking surface to:	
• Overhead cabinet centered above the cooktop	650
• Ventilation hood centered above the cooktop	650
Ⓓ Width of cabinetry opening	900
Ⓔ Maximum height of cabinetry immediately adjacent to the cooker (from floor to countertop)*	946
Ⓕ Maximum depth from wall to cabinetry face	600

Note:

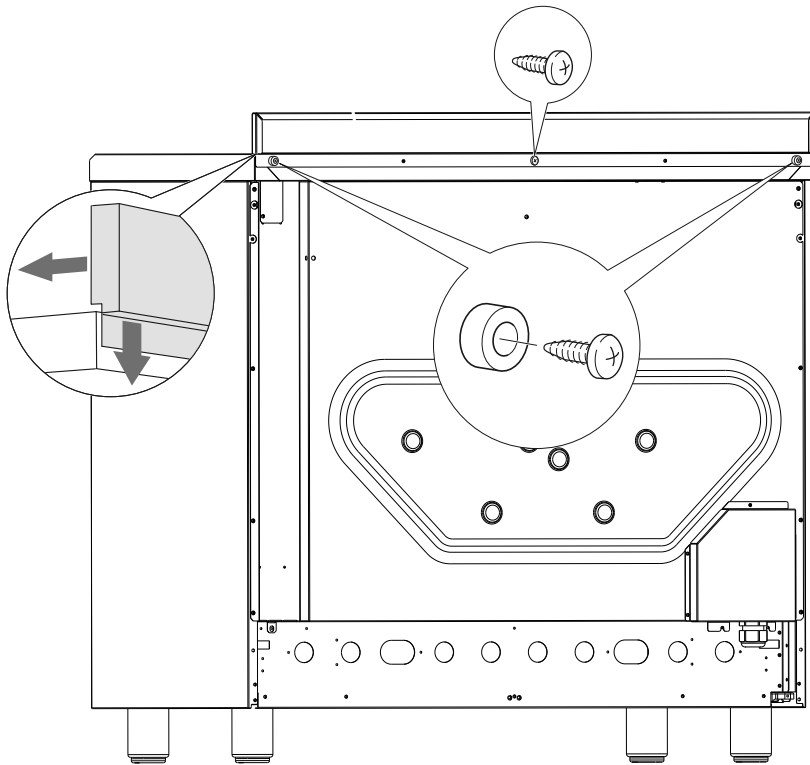
- The cabinetry surrounding the cooker must be heat resistant and capable of withstanding temperatures of 75°C above room temperature.
- Do not install the cooker near flammable materials such as curtains.
- Installing the cooker on a plinth: the cooker can be installed on a plinth without the adjustable feet fitted.
- Ensure the cooker is secure and provide safety measures to keep it in place.
- Cabinetry dimensions can be adjusted to suit the plinth height, see product dimensions for chassis height.
- The cooker must sit flush or above benchtop level.

*Depending on the height of the feet adjustment. The cooking surface must sit flush or above benchtop level.

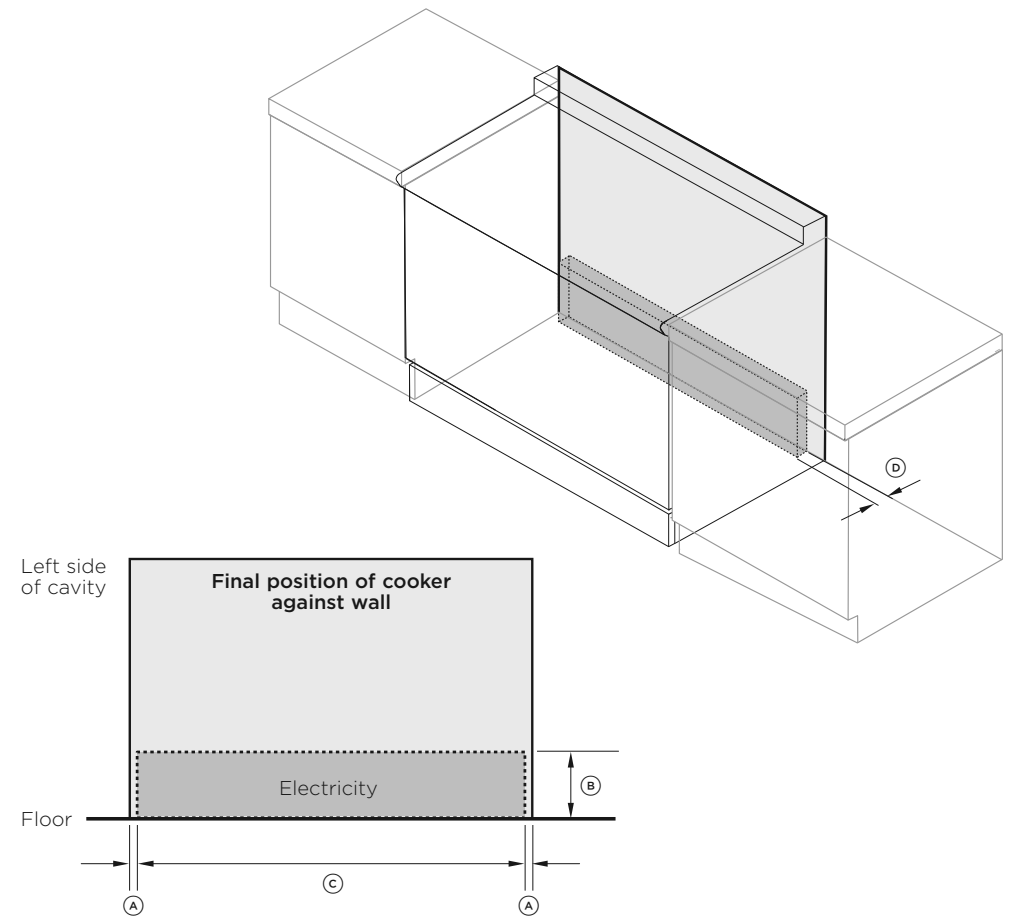
FITTING THE OPTIONAL BACKGUARD

Backguard (supplied with some models only)

- Remove the screws and spacers on the rear of the cooktop.
- Assemble the backguard as shown and fix onto the back of the cooker using the same screws and spacers.
- Fix the backguard onto the cooker using the screws provided.



LOCATION OF ELECTRICAL SUPPLY



SUPPLY AREA DIMENSIONS		MM
(A)	Distance from either edge of Cooker to supply area	19
(B)	Height of electrical supply area (from floor)*	210 - 260
(C)	Width of electrical supply areas	859
(D)	Depth of supply area (ie maximum protrusion of electrical connection from wall)	74

*Depending on adjustment of feet.

VENTILATION REQUIREMENTS

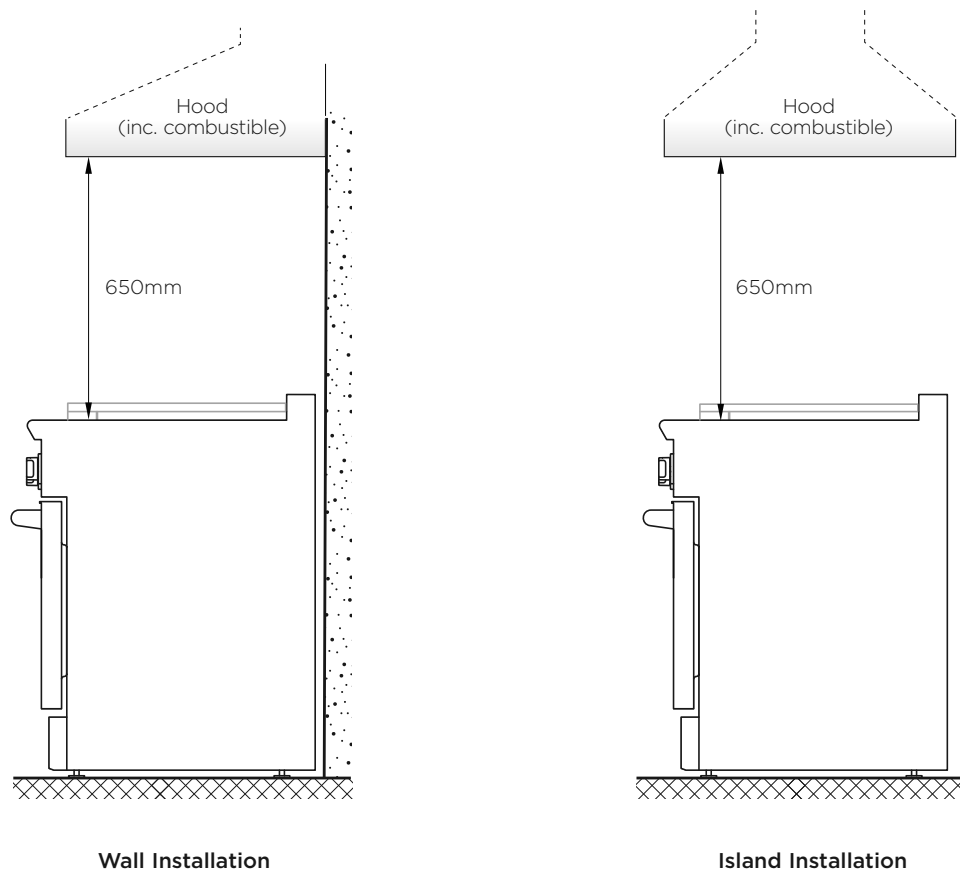
A suitable ventilation hood may be installed above the cooker.

Fisher & Paykel has a choice of ventilation hoods designed to match the rest of our kitchen appliance family.

See fisherpaykel.com or your local dealer for more details.

IMPORTANT

- Consult local building codes and/or local agencies, before starting, to ensure that hood and duct installation will meet local requirements.
- Hood blower speeds should be variable to reduce noise and loss of heated or air conditioned household air when maximum ventilation is not required. Normally, the maximum blower speed is only required when using the grill or the self-cleaning cycle.



FITTING THE ADJUSTABLE FEET

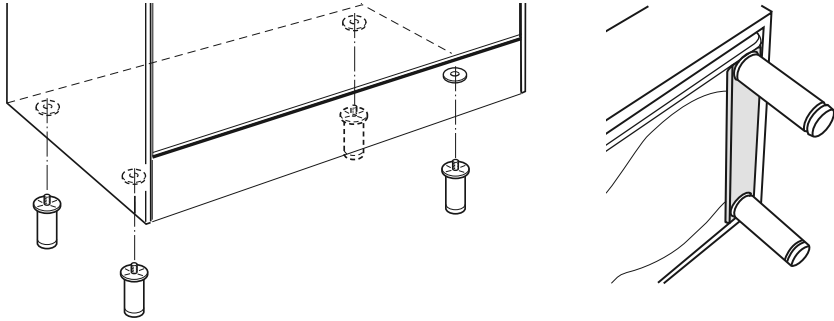
Fitting the adjustable feet

The adjustable feet must be fitted to the base of the cooker before use.

Rest the rear of the cooker on a piece of the polystyrene packaging exposing the base for the fitting of the feet.

IMPORTANT

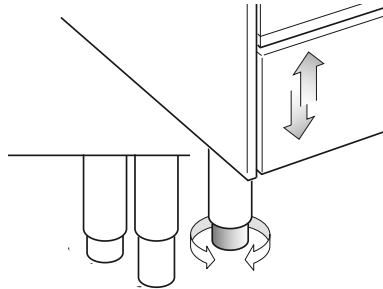
Take care not to damage the cooker during this operation.



Fit the four legs by screwing them tight into the support base as shown.

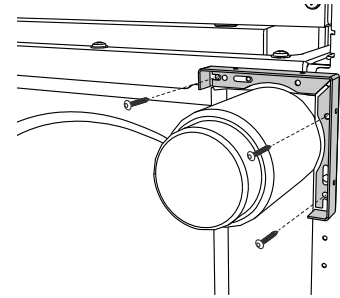
Levelling the cooker

- The cooker may be levelled by screwing the lower ends of the feet IN or OUT.
- Small adjustments may be made to the cooker in the upright position, however it may be necessary to tip the cooker again to make larger adjustments.

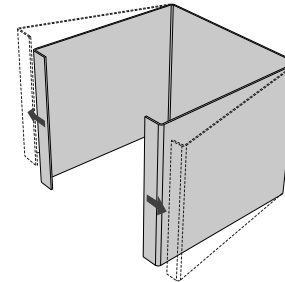


Fitting the adjustable feet covers (optional)

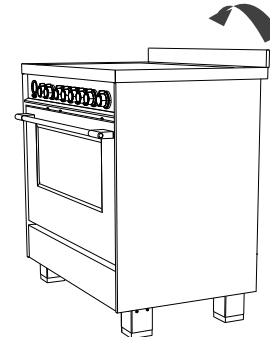
If using the adjustable feet covers fit these while the cooker is tipped over.



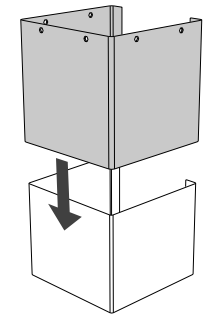
- ① Tip cooker onto its back and fix brackets to mounting holes.



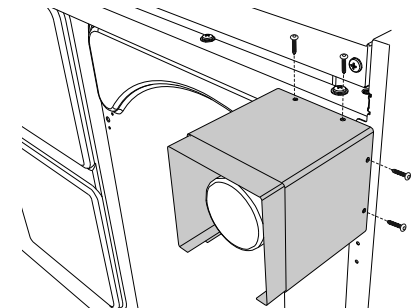
- ③ Note: gently bend the edges of the inner cover to adjust the tension between the two parts if needed.



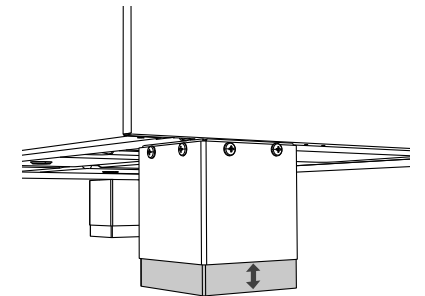
- ⑤ Stand cooker back upright.



- ② Assemble the feet covers by slotting the inner cover inside the outer cover.



- ④ Secure covers to brackets using the provided screws.

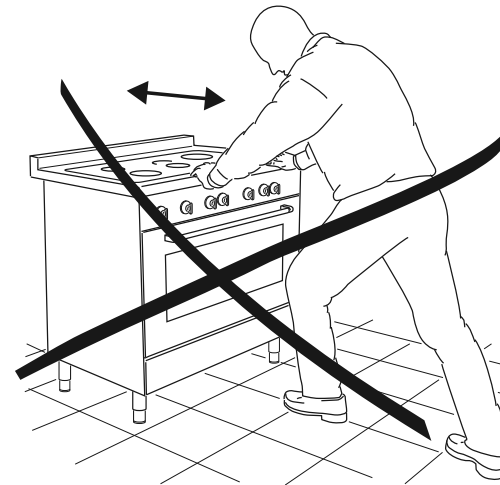
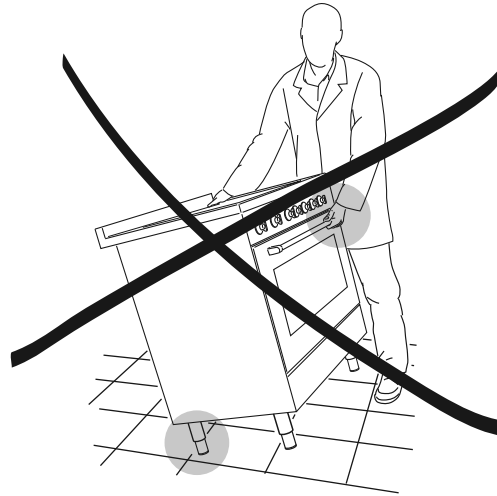
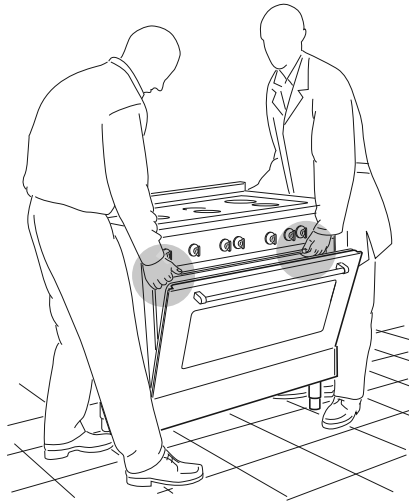


- ⑥ Adjust the inner panels of the foot covers to suit height of cooker feet.

MOVING THE COOKER

IMPORTANT!

- When raising cooker to upright position always ensure two people carry out this manoeuvre to prevent damage to the adjustable feet.
- **BE CAREFUL:** do not lift the cooker by the oven door handle, the hob rail or by lifting the cooktop trim as this may damage the appliance.
- When moving cooker to its final position **DO NOT DRAG**.
- Lift feet clear of floor.



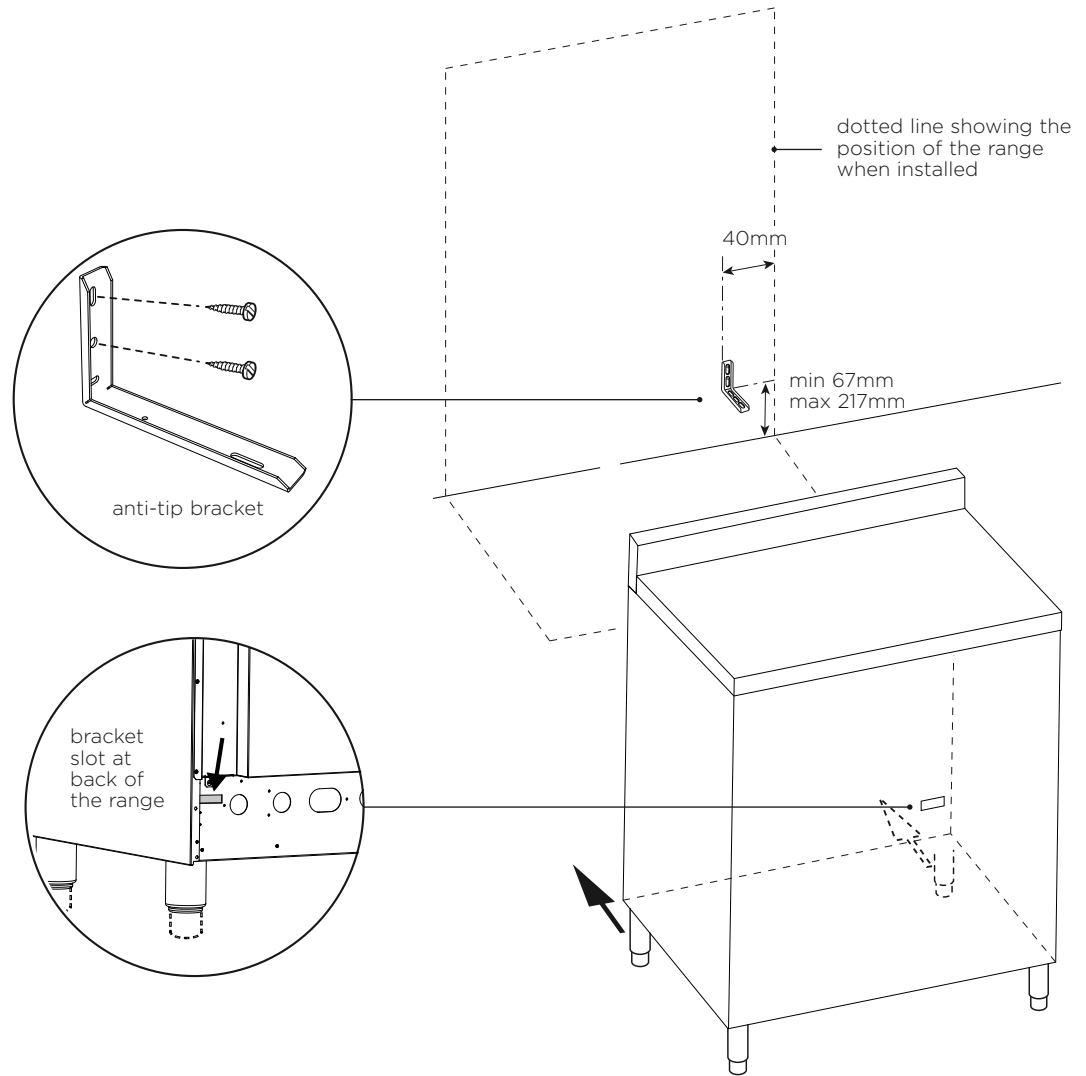
INSTALLING THE ANTI-TIP BRACKET

IMPORTANT!

- To restrain the cooker and prevent it tipping accidentally secure the cooker to the wall using the supplied anti-tip bracket. Ensure you also fit the supplied lock pin to the anti-tip bracket.
- If installing the cooker above a plinth (without fitting the adjustable feet) revise the installation dimensions for the anti-tip bracket accordingly, considering that the feet have the following measurements: min 85mm – max 133mm.
- Before drilling and holes or inserting any screws into the floor or wall check that you will not damage any wiring or pipes.

Fit the anti-tip bracket

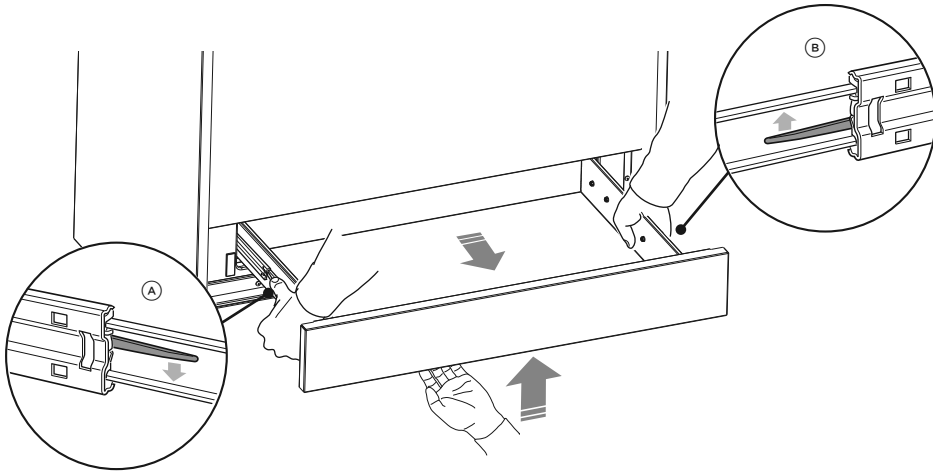
- ① Loosely fix the anti-tip bracket to the wall using the supplied screws.
- Drill two 8mm diameter holes in the wall and insert the supplied plastic sleeve anchors before inserting the screws.
- ② Slide the cooker into place and adjust the height of the bracket so that it will align with the slot on the back of the cooker.
- ③ Tighten the screws to fix the anti-tilt bracket in place.
- ④ Push the cooker back into place so that the bracket is fully inserted into the slot on the back of the cooker.



INSTALLING THE ANTI-TIP BRACKET

Fitting the lock pin (models with a storage/warming drawer)

The anti-tip bracket is accessible by removing the storage/warmer drawer, and is positioned on the rear right side of the cooker.

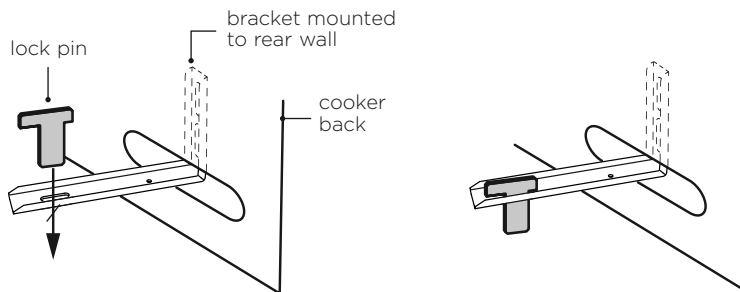


To remove the storage/warming drawer

- ① Open the storage/warming drawer completely.
- ② Move down the lever of left guide (A) and up the lever of right guide (B).
- ③ Remove the drawer holding the levers in the same position.

IMPORTANT

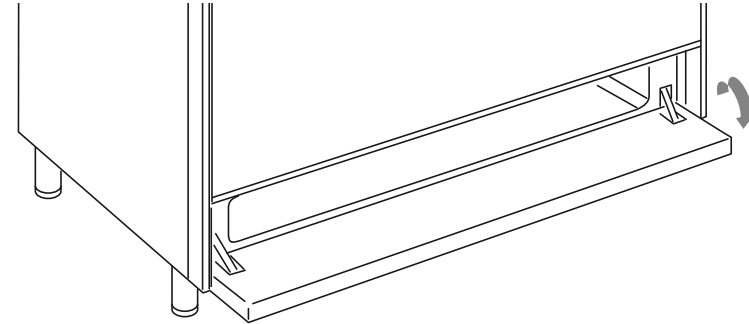
- Do not remove storage/warming drawer while hot or during operation.
- Be sure storage/warming drawer is empty before removing.
- Always position your hand below the front panel to open/close the drawer.



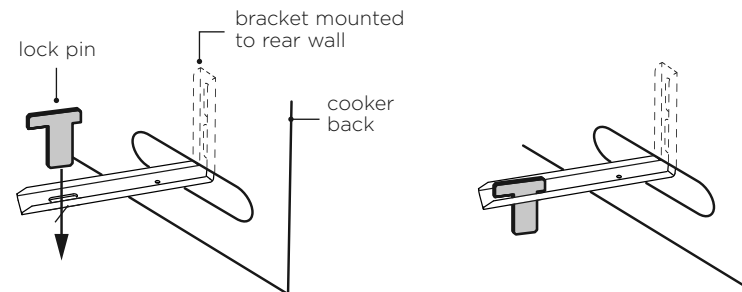
- ④ Fit the lock pin through the bracket as shown
- ⑤ Insert the drawer guides onto the sliding runners on either side of the cooker interior.
 - Ensure they are correctly lined up on both sides of the drawer.
- ⑥ Gently close the drawer completely. The safety catches will automatically lock into place.

Fitting the lock pin (models with a storage compartment)

The anti-tip bracket is accessible by opening the storage compartment door, and is positioned on the rear right side of the cooker.



- ① Open the storage compartment door.



- ② Fit the lock pin through the bracket as shown.
- ③ Close the storage compartment door.

ELECTRICAL CONNECTION

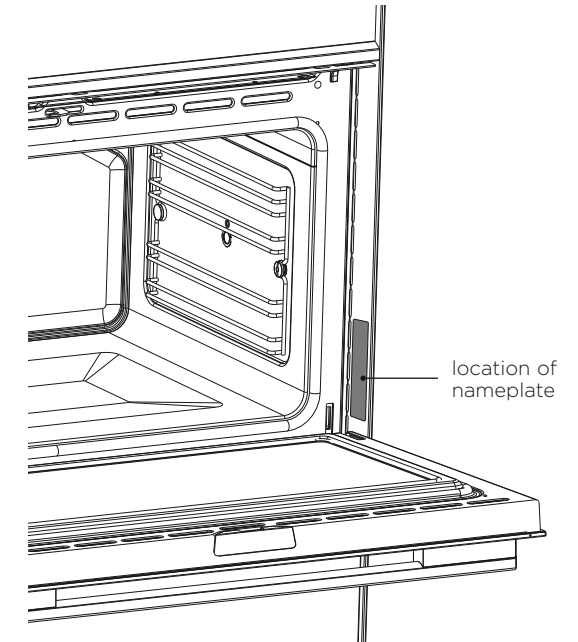
IMPORTANT!

- This cooker must be connected to the mains power supply only by a suitably qualified person. This cooker must be earthed.
- If the installation requires alterations to the domestic electrical system, call a qualified electrician. The electrician should also check that the electrical system is suitable for the electricity drawn by the cooker.
- The appliance must be connected to the mains electricity supply, checking that the voltage corresponds to the value given in the rating plate and that the electrical cable sections can withstand the load specified on the plate.
- A suitable disconnection switch must be incorporated in the permanent wiring, mounted and positioned to comply with the local wiring rules and regulations. The switch must be of an approved type installed in the fixed wiring and provide a 3mm air gap contact separation in all poles in accordance with the local wiring rules.
- A switch of the approved type with a 3mm air gap must be installed in the active (phase) conductor of the fixed wiring.
- The switch must always be accessible.
- The power supply cable must not touch any hot parts and must be positioned so that it does not exceed 75°C at any point.
- This cooker must be connected to a suitable double pole control unit adjacent to the cooker. No diversity can be applied to this control unit.
- This appliance must be connected to the electrical supply using a cable fitted with an appropriately rated plug. The plug must be compatible with the socket-outlet fitted to the final subcircuit in the fixed wiring that is intended to supply the appliance.

Replacing the power cord

- Replacements should only be made by a qualified electrician.
- Use a cable according to the applicable local regulations.

MODEL CODE	MAX POWER (W)	HZ	VOLTAGE (V)	MAX CURRENT PER PHASE (A)		
				1 PH	2 PH	3 PH
OR90S*1	10610	50 Hz	220-240 V~	46	32	16
OR90S*4	15300	50 Hz	220-240 V~	67	45	32
OR90S*6	15550	50 Hz	220-240 V~	68	45	32

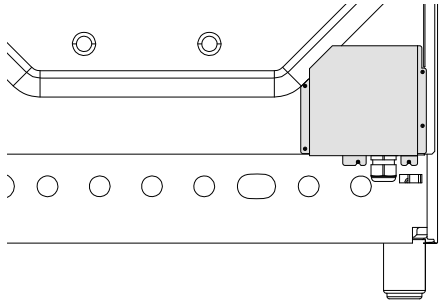


IMPORTANT!

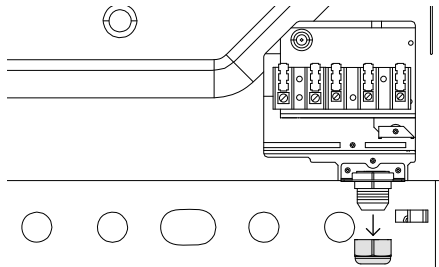
The power supply cable must be connected by a Fisher & Paykel trained and support service technician or qualified person.

Feeder cable section

Use a type of cable according to the applicable local regulations.



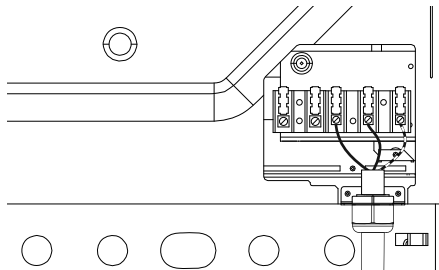
- ① Remove the screws that hold the cover in place at the back of the cooker.



- ② Unscrew the bottom terminal end of the strain relief by using two spanners. Insert terminal into the power supply cable, then insert the feeder cable into the strain relief (ensure sealing ring stays secured inside the strain relief).

IMPORTANT!

Do not unscrew the strain relief from the cooker.



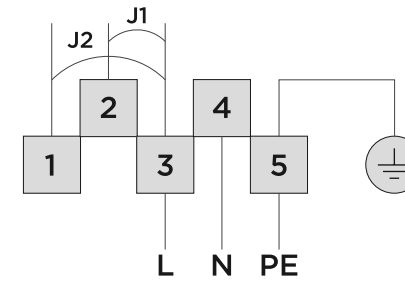
- ③ Connect the live, neutral and earth cables to the terminal. Lock the power supply cable in place by screwing the terminal end back to the strain relief. Re-mount the screw cover back onto to the cooker.

IMPORTANT!

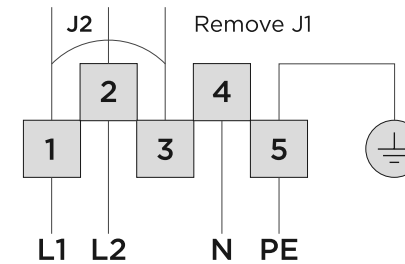
The earth conductor should remain around 30mm longer than the others.

single-phase connection illustrated

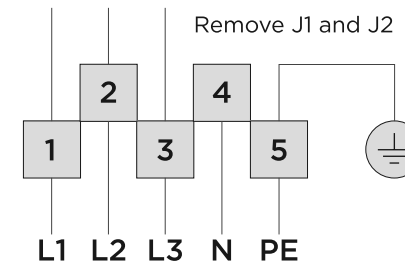
SINGLE-PHASE CONNECTION



TWO-PHASE CONNECTION



THREE-PHASE CONNECTION



FINAL CHECKLIST

TO BE COMPLETED BY THE INSTALLER

GENERAL

- Placement of unit.
- Specified clearance maintained to cabinet surfaces.
- Unit Level—front to back, side to side.
- All packaging material and tie straps removed.
- Island trim or optional backguard correctly attached.
- The anti-tip bracket is correctly installed.

ELECTRICAL

- Adequate ground connection.

OPERATION

- All internal packing materials removed. Check inside the oven.
- Dials turn correctly and freely.
- Oven and cooktop displays are functioning correctly and oven and cooking zones can be turned on.
- Oven door hinges seated and door opens and closes properly.

Complete and keep for safe reference:

Model _____

Serial No. _____

Purchase Date _____

Purchaser _____

Dealer address _____

Installer's name _____

Installer's signature _____

Installation company _____

Installation date _____

FISHERPAYKEL.COM

© Fisher & Paykel Appliances 2021. All rights reserved.

The models shown in this guide may not be available in all markets
and are subject to change at any time.

The product specifications in this guide apply to the specific products and
models described at the date of issue. Under our policy of continuous product
improvement, these specifications may change at any time.

For current details about model and specification availability in your country,
please go to our website or contact your local Fisher & Paykel dealer.

591517E 12.21