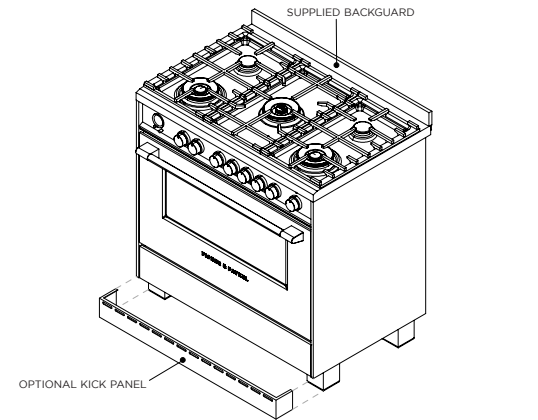


FISHER & PAYKEL

DATA SHEET

Freestanding Cooker, Dual Fuel, 90cm, Self-cleaning

Model no:
OR90SPG6X1



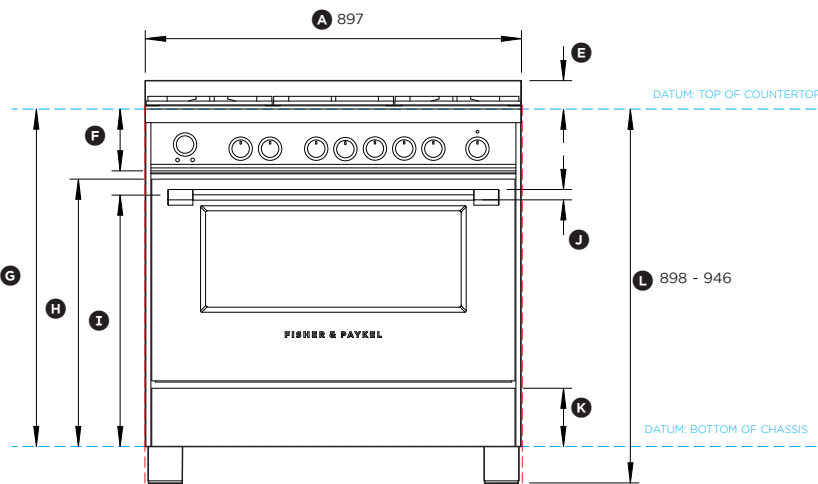
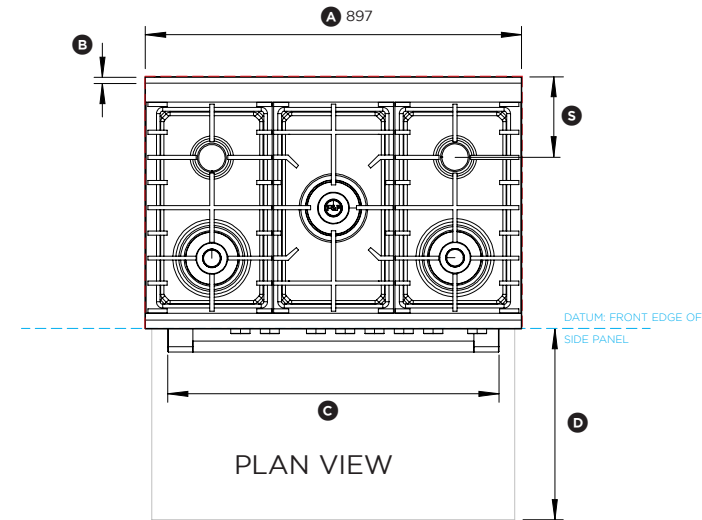
Product Dimensions	mm
Ⓐ Overall width of range	897
Ⓑ Depth optional backguard from top of cooktop (supplied with some models only)	15
Ⓒ Width of handle (including standoff)	791
Ⓓ Depth of open door to front of range	456
Ⓔ Height from countertop to top of optional backguard	68
Ⓕ Height from countertop to bottom of control panel	147
Ⓖ Height of chassis (excl. adjustable feet)	805
Ⓙ Height from top of door to bottom of chassis	638
Ⓚ Height from handle to bottom of chassis	601
Ⓛ Thickness of handrail (not including standoff)	25
Ⓜ Height from top of warmer drawer to bottom of chassis	139
Ⓝ Overall height of product (from floor to top of cooktop, excl. grates and optional backguard)	min 898 max 946
Ⓞ Overall depth of range	656
Ⓟ Overall depth of range (from front of range to rear of backguard, excl. handles and dials)	600
Ⓠ Depth of handle (measured from front of door)	57
Ⓡ Adjustable feet height	min 84 max 132
Ⓢ Toekick depth - With optional kick panel - Without optional kick panel	52 56
Ⓣ Depth from rear of chassis to front of side panel	586
Ⓤ Back of product to centre of rear trivet	193
Ⓡ Height of trivet from counter top	31

Cavity Dimensions	mm
Overall width of cavity	min 900
Overall depth of cavity	600
Overall height of cavity	min 893 max 946

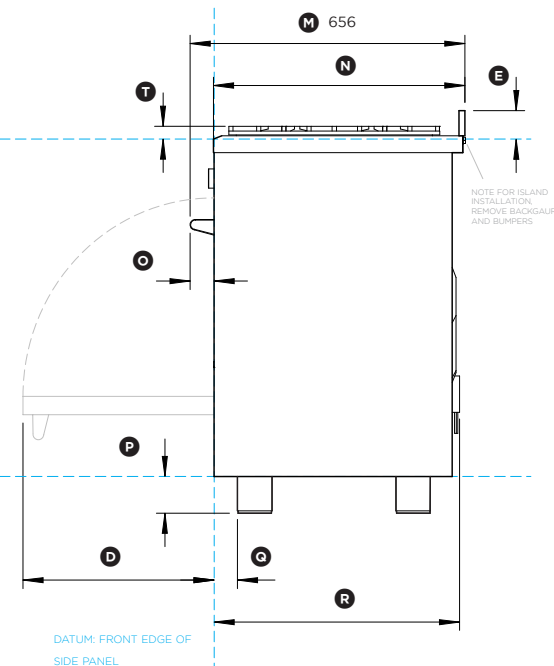
INDICATES CABINETRY / PRODUCT DATUM -----
INDICATES CABINETRY CLEARANCES - - - - -

DATE: 28.03.2020

IMPORTANT NOTE: Throughout this guide, dimensions may vary by ±2mm. Please read the installation guide for detailed information on installing the product. For full installation instructions & specifications visit fisherpaykel.com



FRONT VIEW



PROFILE VIEW



FISHER & PAYKEL

DATA SHEET

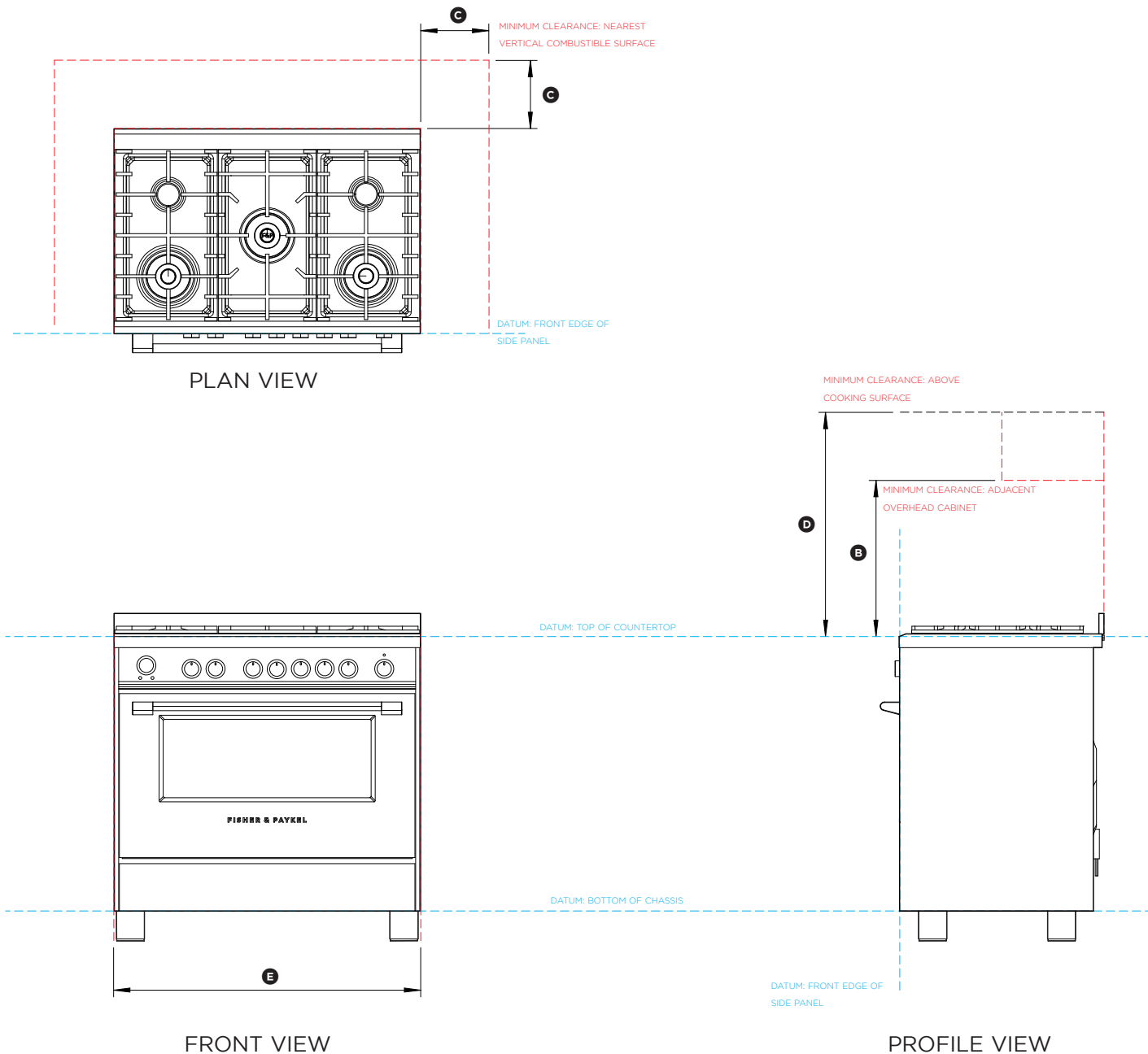
Freestanding Cooker, Dual Fuel, 90cm, Self-cleaning

Model no:
OR90SPG6X1

Clearance Dimensions	mm
Ⓐ Minimum width of ventilation hood installed above range (not shown)	900
Ⓒ Minimum vertical distance between countertop and cabinet extending above counter *	450
Ⓒ Minimum clearance from range to nearest vertical combustible surface * **	200
Ⓓ Minimum clearance from cooking surface to: - combustible surface centred above the cooking surface *	650
- non-combustible surface centred above the cooking surface *	650
Ⓔ Minimum cavity width	900

*Installation clearances and protection of combustible surfaces shall comply with the current local regulations eg. AS/NZS5601.1 (latest edition) Gas installations guide. The standards above specify that where required protection shall ensure that the surface temperature of the combustible surface does not exceed 650C above the room temperature.

** If that horizontal clearance is less than 200mm, that vertical surface must be protected by a non-combustible material for 150mm above the top of the edge of the nearest burner for the full dimension of the cooktop (depth, width)



INDICATES CABINETRY / PRODUCT DATUM
INDICATES CABINETRY CLEARANCES - - - - -

DATE: 28.03.2022

IMPORTANT NOTE: Throughout this guide, dimensions may vary by ±2mm. Please read the installation guide for detailed information on installing the product. For full installation instructions & specifications visit fisherpaykel.com

FISHER & PAYKEL

DATA SHEET

Freestanding Cooker, Dual Fuel, 90cm, Self-cleaning

Model no:
OR90SPG6X1

Specifications

Oven Capacity

Total Capacity 140L

Useable Capacity 120L

Services

Electrical

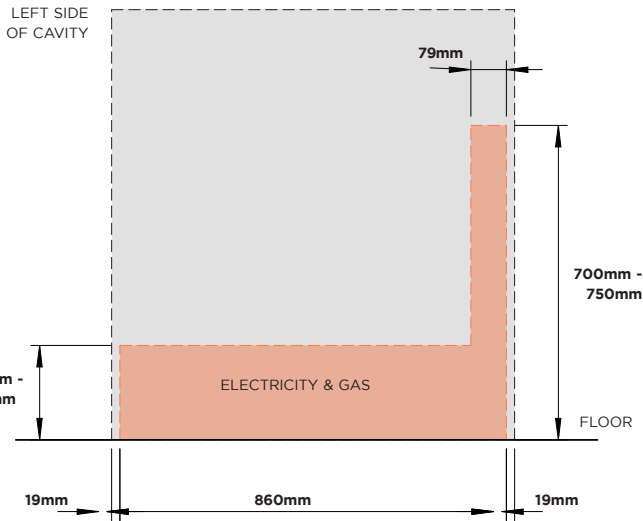
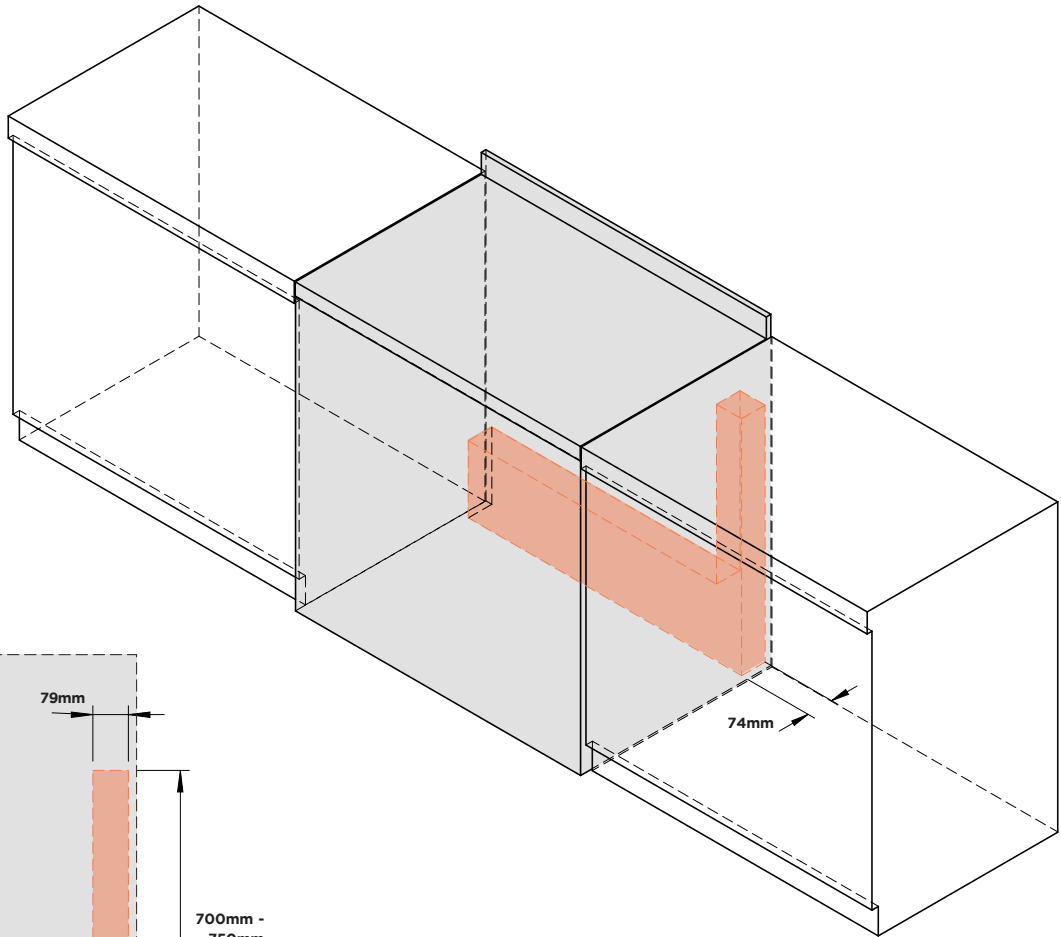
Supply 220-240 V, 50 Hz

Amp draw 22.6 A

Gas

Type Natural Gas / LPG

Connection Flexible hose assemblies should be AS/NZS 1869 Class B or Class D certified. The thread connection shall be Rp " (ISO 7-1) male.



FRONT VIEW OF CAVITY



INDICATES CABINETRY / PRODUCT DATUM - - - - -

INDICATES CABINETRY CLEARANCES - - - - -

DATE: 28.03.2022

IMPORTANT NOTE: Throughout this guide, dimensions may vary by ± 2 mm. Please read the installation guide for detailed information on installing the product. For full installation instructions & specifications visit fisherpaykel.com