

Oven, 60cm, 16 Function Self-cleaning

Series 7 | Minimal

Black Glass



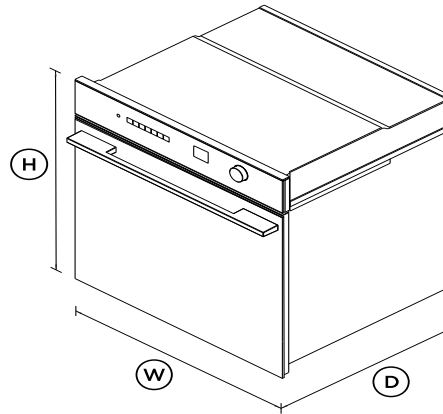
With refined Minimal styling and generous capacity, this built-in oven helps to ensure that every dish you create is cooked to perfection.

- 16 oven functions including Pastry Bake, Roast, Dehydrate and Rapid Proof
- Even heat circulation with AeroTech™, ideal for multi-shelf cooking
- Pyrolytic self-cleaning function breaks down food residue for an easy clean

- Designed to match our Minimal style family of cooking appliances

DIMENSIONS

Height	598mm
Width	596mm
Depth	565mm



FEATURES & BENEFITS

Multi-function flexibility

Each function has been perfected to ensure that no matter what you're cooking, you've got the right heat to match. This built-in oven has 16 functions including Pastry Bake, Roast, Aero Broil, Dehydrate and Rapid Proof, allowing you to use a variety of cooking styles.

Generous capacity

With a generous 85L total capacity, you can create several perfectly cooked dishes at once using multiple shelves.

Cook with confidence

The 2.4" screen provides an intuitive guided cooking experience that helps to deliver perfect results, whether you've been cooking all your life or are just starting out. Cook by food type and allow your oven to guide you through the steps, or change temperature and heat type automatically, depending on your selection.

Exceptional performance

Our unique cooking technologies were developed to deliver perfect results. ActiveVent ensures optimized moisture levels, while AeroTech™ circulates heat evenly for a consistent temperature.

Self-cleaning

Pyrolytic self-clean breaks down food residue at a very high temperature, leaving a light ash that's easily removed with a damp cloth. The enamel coated side racks don't need to be removed when using this function.

Complementary design

Designed to blend seamlessly into the kitchen, this Minimal style oven features subtle textural and tonal contrasts. Available in a black or grey finish to support a considered kitchen design.

Safe and sound

The CoolTouch door features triple glazing and a cooling system that ensures it's safe to touch from the outside – protecting both your hands and the surrounding cabinetry.

SPECIFICATIONS

Accessories

Flat brushed baking tray	1
Full extension sliding shelves	1 set

Grill rack	1 set	Halogen lights	•	Automatic rapid pre-heat	•
Pyrolytic proof shelf runners	•	Intuitive touchscreen display	•	Grill power	3000W
Roasting dish	1	Multi-language display	UK English, US English,	Temperature range	35°C - 280°C
Step down wire shelf	1	Soft close doors	•	Whisper quiet cooking	•
Wired temperature sensor	1	True convection oven	•		
		Turned stainless steel dials	•		
		Wireless temperature sensor	•		
Capacity				Power requirements	
Shelf positions	6			Amperage	15A
Total capacity	85L	Functions		Rated current	15A
Usable capacity	72L	Air fry	•	Supply frequency	50Hz
		Bake	•	Supply voltage	220-240V
Cleaning		Classic bake	•		
Acid resistant graphite enamel	•	Dehydrate	•	Product dimensions	
Pyrolytic self-clean	•	Fan bake	•	Depth	565mm
Removable oven door	•	Fan forced	•	Height	598mm
Removable oven door inner	•	Fan grill	•	Width	596mm
Removable shelf runners	•	Grill	•		
		Number of functions	16	Safety	
		Pastry Bake	•	Balanced oven door	•
Controls		Pizza bake	•	Catalytic venting system	•
Adjustable audio and display	•	Pyrolytic self-clean	•	Control panel key lock	•
Audio feedback	•	Rapid proof	•	Non-tip shelves	•
Automatic cooking/minute	•	Roast	•	Safety thermostat	•
Automatic pre-set	•	Slow cook	•		
Celsius/Fahrenheit	•	Vent bake	•	Warranty	
Certified Sabbath mode	•	Warm	•	Parts and labour	2 years
Delay start	•				
Electronic clock	•	Performance			
Electronic oven control	•	ActiveVent™ system	•	SKU	82543
Food probe	•	AeroTech™ technology	•		
Guided cooking by food types	•				

The product dimensions and specifications in this page apply to the specific product and model. Under our policy of continuous improvement, these dimensions and specifications may change at any time. You should therefore check with Fisher & Paykel's Customer Care Centre to ensure this page correctly describes the model currently available. ? Fisher & Paykel Appliances Ltd 2020

Other product downloads available at fisherpaykel.com



Service & Warranty



Installation Guide Wall Oven



A PEACE OF MIND SALE

24 Hours 7 Days a Week Customer Support

T +65 6741 0777 **W** www.fisherpaykel.com