

**FISHER & PAYKEL**

**BOX WALL RANGEHOOD**

---

**HC60DCXB3, HC90DCXB3 & HC120DCXB3**  
models

**INSTALLATION GUIDE / USER GUIDE**

**NZ AU ROW**



# CONTENTS

---

Introduction	3
Safety and warnings	4
Installation instructions	7
Operating instructions	17
Cleaning and maintenance	18
Parts and accessories	20
Customer Care	21

---

## **IMPORTANT!**

### **SAVE THESE INSTRUCTIONS**

The models shown in this user guide may not be available in all markets and are subject to change at any time. For current details about model and specification availability in your country, please go to our website [www.fisherpaykel.com](http://www.fisherpaykel.com) or contact your local Fisher & Paykel dealer.

## **Registration**

Register your product with us so we can provide you with the best service possible.

To register your product visit our website: [www.fisherpaykel.com](http://www.fisherpaykel.com)



# INTRODUCTION

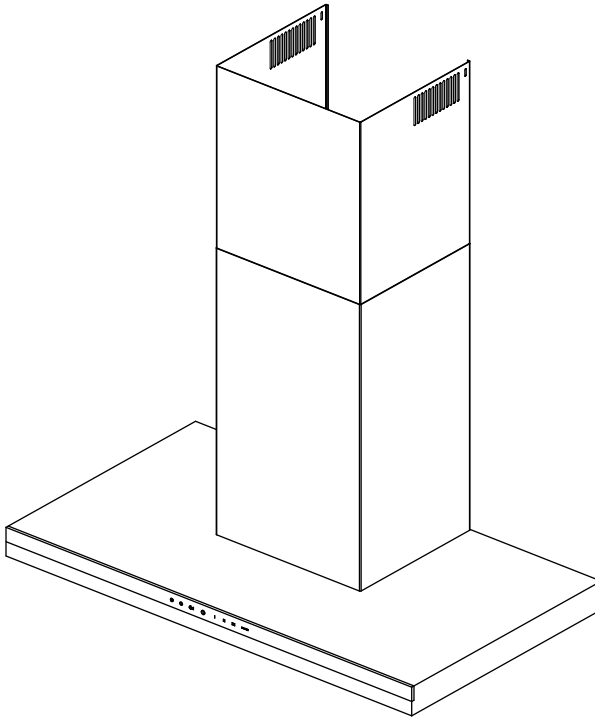
---

Thank you for purchasing a Fisher & Paykel product.

Thousands of hours go into the design, engineering, testing and perfecting of each Fisher & Paykel appliance. The care and attention given to creating these beautiful products doesn't stop once it has found its home with you.

This use and care manual will answer most of your questions about the set-up, use and on-going maintenance of your Fisher & Paykel product; however if you require further information about your product and its use please consult our website for solutions and further contact information to discuss with a service representative.

To ensure you receive all relevant product updates and the best service possible, please register your Fisher & Paykel products through our website.



## SAFETY AND WARNINGS



### WARNING!



**13.2 kg**  
(HC60)

**17.6 kg**  
(HC90)

**24 kg**  
(HC120)

#### Weight Hazard

The appliance is heavy. Please ensure adequate care is taken when installing the appliance to prevent personal injury. The appliance must be installed onto a solid wall, stud, beam or truss. Weight of the product is 13.2 kg (HC60) / 17.6 kg (HC90) / 24 kg (HC120).



### WARNING!



#### Electric Shock Hazard

Always disconnect the appliance from the mains power supply before carrying out any maintenance or repairs. Alterations to the domestic wiring system must only be made by a qualified electrician.

Failure to follow this advice may result in electrical shock or death.

# IMPORTANT SAFETY INSTRUCTIONS

### **WARNING!**

When using this appliance always exercise basic safety precautions including the following:

- Please read the entire set of instructions before installing or using this appliance.
- Please make this information available to the person installing the appliance - doing so could reduce your installation costs.
- Always switch the power off prior to installation, servicing or cleaning of the appliance.
- This appliance must be installed and connected to the mains power supply only by a suitably qualified person according to these installation instructions and in compliance with any applicable local building and electricity regulations. Failure to install the appliance correctly could invalidate any warranty or liability claims.
- To comply with electrical safety regulations, the appliance must be plugged into a socket near the appliance. The socket must be accessible, or have an accessible isolating switch, to enable the end user to isolate the appliance from the power for the purpose of internal cleaning or maintenance.
- A power outlet should be within 750 mm of the motor assembly and can either be on the wall, behind the chimney or in the ceiling.
- If the supply cord of this equipment is damaged, it must only be replaced by the manufacturer, its service agent or similarly qualified person in order to avoid a hazard.
- Ducting accessories are not supplied. All ducting must comply with local requirements and building codes.
- Attention should be given to ensure that any applicable regulations concerning the discharge of exhaust air are fulfilled.
- Before connecting any pipes, consult municipal ordinances to ensure that any applicable regulations concerning the discharge of exhaust air are adhered to and request permission from the person in charge of the building.
- Exhaust air must not be discharged into an existing flue that is used for exhausting fumes from appliances burning gas or other fuels.
- There shall be adequate ventilation of the room when the rangehood is used at the same time as appliances burning gas or other fuels.
- The minimum distance between the supporting surface for cooking vessels on the cooktop and the lowest part of the rangehood shall be 600 mm or 650 mm if installed over a gas cooktop.
- Stainless steel is very easily damaged during installation if abraded or knocked by tools. It is recommended to protect the top of the rangehood with cardboard or polystyrene during the installation to minimise the risk of damage occurring.
- To reduce the risk of damage occurring to the cooktop, it is recommended that the surface of the cooktop is protected with cardboard or a similar object during installation of the rangehood.
- This appliance is not intended for use by persons (including children) with reduced physical, sensory or mental capabilities, or lack of experience and knowledge, unless they have been given supervision or instruction concerning the use of the appliance by a person responsible for their safety.
- Children should be supervised to ensure they do not play with the appliance. Cleaning and user maintenance shall not be made by children without supervision.

## SAFETY AND WARNINGS

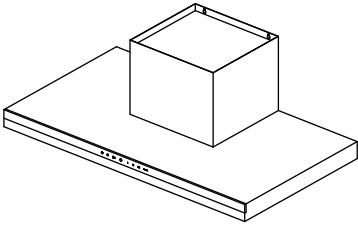
---

- You must read the details concerning the method and frequency of cleaning.
- There is a fire risk if cleaning is not carried out in accordance with the instructions.
- Never leave frying food unattended since grease can overheat and catch fire. The risk of fire is even greater in the case of used oil.
- Do not flambé under the rangehood.
- Never use the rangehood without the filters in place.
- During an electrostatic discharge (ESD) it is possible that the device will stop working. By switching the device off and on the device will again work as intended.
- CAUTION: accessible parts may become hot when used with cooking appliances.
- Remove all packaging, including protective wrappings, before use.



# INSTALLATION INSTRUCTIONS

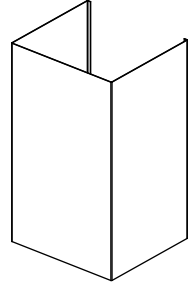
## Contents of packaging



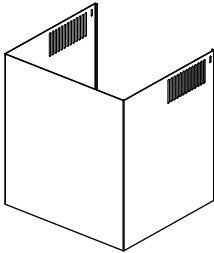
Rangehood  
(1)



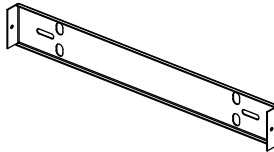
Installation instructions  
User guide manual  
(1)



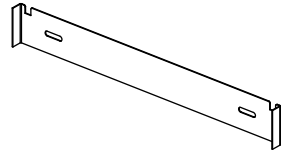
Chimney  
(1)



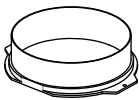
Upper chimney  
(1)



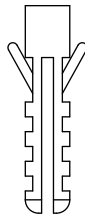
Upper chimney bracket  
(1)



Chimney bracket  
(1)



150 mm diameter  
ducting adapter  
(1)



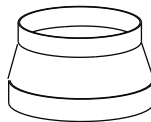
Expansion plug  
(8)



30 mm self  
tapping screw  
(8)



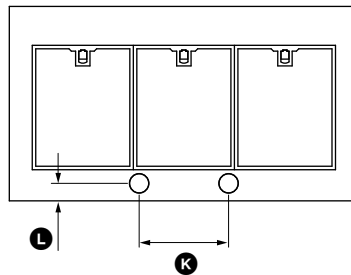
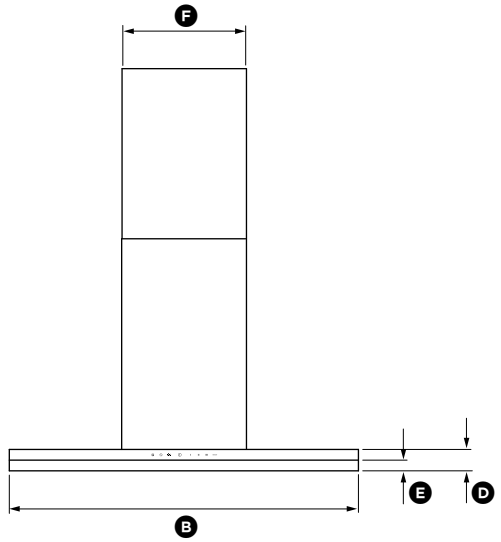
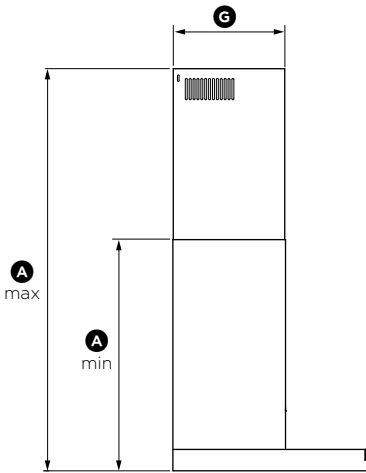
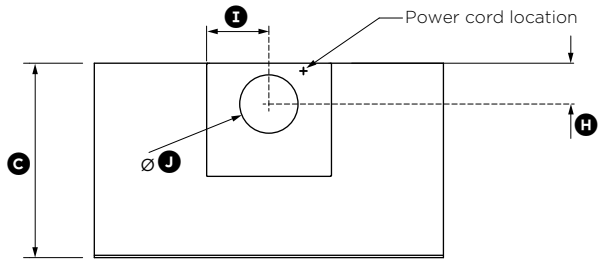
10 mm self  
tapping screw  
(4)



125 mm ducting adapter  
(1)

# INSTALLATION INSTRUCTIONS

## Product dimensions



# INSTALLATION INSTRUCTIONS

		HC60	HC90	HC120
<b>PRODUCT DIMENSIONS</b>				<b>mm</b>
Ⓐ	Overall height of product	595 - 1035	595 - 1035	595 - 1035
Ⓑ	Overall width of product	598	898	1198
Ⓒ	Overall depth of product	500	500	500
Ⓓ	Height of hood	55	55	55
Ⓔ	Height of stainless strip	27	27	27
Ⓕ	Width of chimney	320	320	320
Ⓖ	Depth of chimney	290	290	290
Ⓗ	Distance from centre of ducting outlet to back of product	82	82	82
Ⓘ	Distance from centre of ducting outlet to side of chimney	160	160	160
Ⓙ	Diameter of ducting outlet	150	150	150
Ⓚ	Distance between centre of lights	230	230	230
Ⓛ	Distance from centre of lights to back of product	45	45	45
	Length of power cord	1200	1200	1200

## **IMPORTANT!**

**Actual product dimensions may vary by  $\pm 2$  mm.**

Please read the entire instructions before installing the rangehood.

# INSTALLATION INSTRUCTIONS

## Height of rangehood

INSTALLATION DIMENSIONS	mm
(M) Installation height Ducted externally Recirculation mode	min. 635 – max. 1035 min. 675 – max. 1035
(N) Height top of cooktop to base of product *Electric cooktop (for induction cooktop see note below) Gas cooktop	min. 600 – max. 750 min. 650 – max. 750

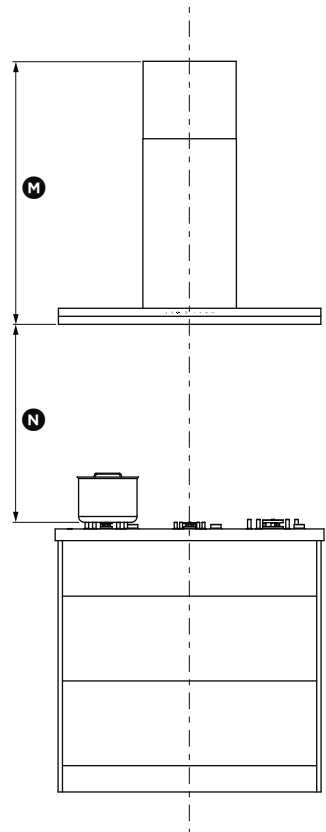
Rangehood installation height above the cooktop is the user's preference. This rangehood must be installed between the minimum and maximum height limits indicated in the table above. Installation at the lower height limit will improve the efficiency of capturing cooking odours, grease and smoke.

### \* Induction cooking considerations

- Induction cooktops use energy efficient technology that only heats the contents of a cooking pot.
- Unlike gas or traditional electric cooktops, the surrounding air does not get heated when using an induction cooktop. As a result, rangehood filters, splashbacks and surrounding cabinetry do not get warmed up, increasing the likelihood of condensation on these cooler surfaces.
- Other factors like ambient temperature, humidity, natural ventilation of the room, size of the cookware and how the induction cooktop is being used also influence condensation. For example, aggressive boiling on high cooktop heat settings like PowerBoost increases the rate at which water is evaporated, increasing the likelihood of condensation.
- It is important to understand that neither the rangehood nor the induction cooktop are faulty as a result of this phenomenon.

### Condensation can be minimised by:

- Installing the rangehood at the maximum height above the cooktop as specified in this user guide.
- Using the rangehood on a lower speed setting when boiling.
- Using the induction cooktop on a lower heat setting when boiling.
- Switching the rangehood on 5 minutes before cooking and letting it run for at least 5 minutes after cooking. Refer to the 'Operating instructions' section on how to use the timer function.



# INSTALLATION INSTRUCTIONS

## **Venting options**

Attention should be given to ensure that any applicable regulations concerning the discharge of exhaust air are fulfilled.

The rangehood can be installed to operate with the exhaust air ducted externally from the kitchen, or installed to operate in recirculation mode with the exhaust air recirculating within the kitchen.

## **Ducted externally**

For an externally ducted installation it is recommended that 150 mm diameter, rigid or semi-rigid ducting is used. This will require a 160 mm (min) round hole in the ceiling or wall. Care should be taken to position the hole correctly.

For optimal efficiency use the shortest and straightest duct route possible and use rigid or semi-rigid ducting for reduced noise and increased airflow. Flexible metal ducting should only be used as a last resort (ie in difficult installations) and if used ensure that it is straight and smooth and extended as much as possible.

## **Recirculation mode**

To enable the product to operate with the air recirculating within the kitchen, please purchase a recirculation diverter and carbon filters (refer to the 'Parts and accessories' section). The recirculation diverter is installed after a short length of ducting and is required to channel the air out the side vents at the top of the chimney and the carbon filters are required to remove odours.

Note: a ducting hole is not required in the wall or ceiling if the rangehood is installed to operate in recirculation mode.

# INSTALLATION INSTRUCTIONS

## WARNING!

- This appliance is heavy and requires two persons for unpacking and installation
- Installation work and electrical wiring must be done by qualified person(s) in accordance with all applicable codes and standards.
- Failure to install the screws or fixing device in accordance with these instructions may result in electrical hazards

## IMPORTANT!

**Wear gloves to protect against sharp edges.**

The manufacturer is not liable for any damage caused by not following these instructions.

## Installation

### ① Preparing for installation:

Before installing your rangehood:

- Please read the instructions carefully.
- Unpack the rangehood and check that all functions are working.
- Ensure that the voltage (V) and the frequency (Hz) indicated on the serial plate match the voltage and frequency at the installation site.
- Check that the area behind the installation surface to be drilled is clear of any electrical cables or pipes, etc.
- The stainless steel and glass surfaces of the rangehood are very easily damaged during installation if grazed or knocked by tools. Please take care to protect the surfaces during installation.
- Protect the cooktop surface below with cardboard, or the like, to prevent damage occurring whilst the rangehood is being installed above.
- Temporarily mark the height of the bottom of the rangehood and the centre of the cooktop on the wall according to the information given in the 'Installation instructions - Height of rangehood' section.
- The wall used for mounting the rangehood should have sufficient strength and a flat surface.

### ② Attach chimney brackets and hood mounting screws

- Attach the chimney bracket and upper chimney bracket (if using the upper chimney) in the locations shown in Fig.2 and 3. Use the 30 mm screws and expansion plugs if attaching to masonry.
- Attach the upper hood mounting screws in the locations shown in Fig.2 and 3. Use the 30 mm screws and expansion plugs if attaching to masonry. Ensure that there is a 2 mm gap between the screw head and the wall - see Fig.1.

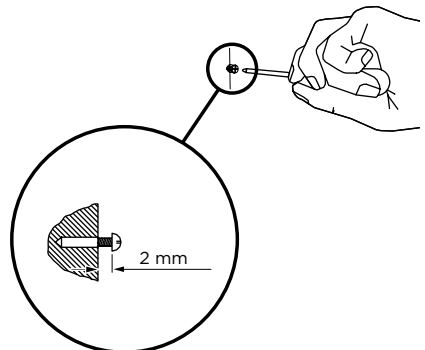


Fig.1

# INSTALLATION INSTRUCTIONS

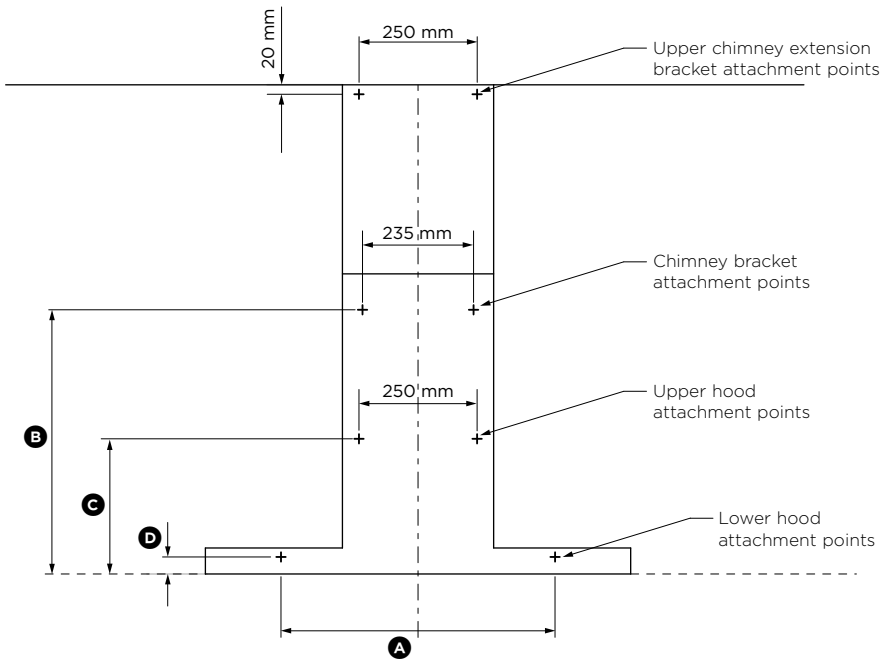


Fig.2

	HC60	HC90	HC120
<b>PRODUCT DIMENSIONS</b>			<b>mm</b>
Ⓐ Lower rangehood attachment point width	420	580	900
Ⓑ Chimney bracket attachment point height	559	559	556
Ⓒ Upper rangehood attachment point height	286	286	288
Ⓓ Lower rangehood attachment point height	36	36	42.5

# INSTALLATION INSTRUCTIONS

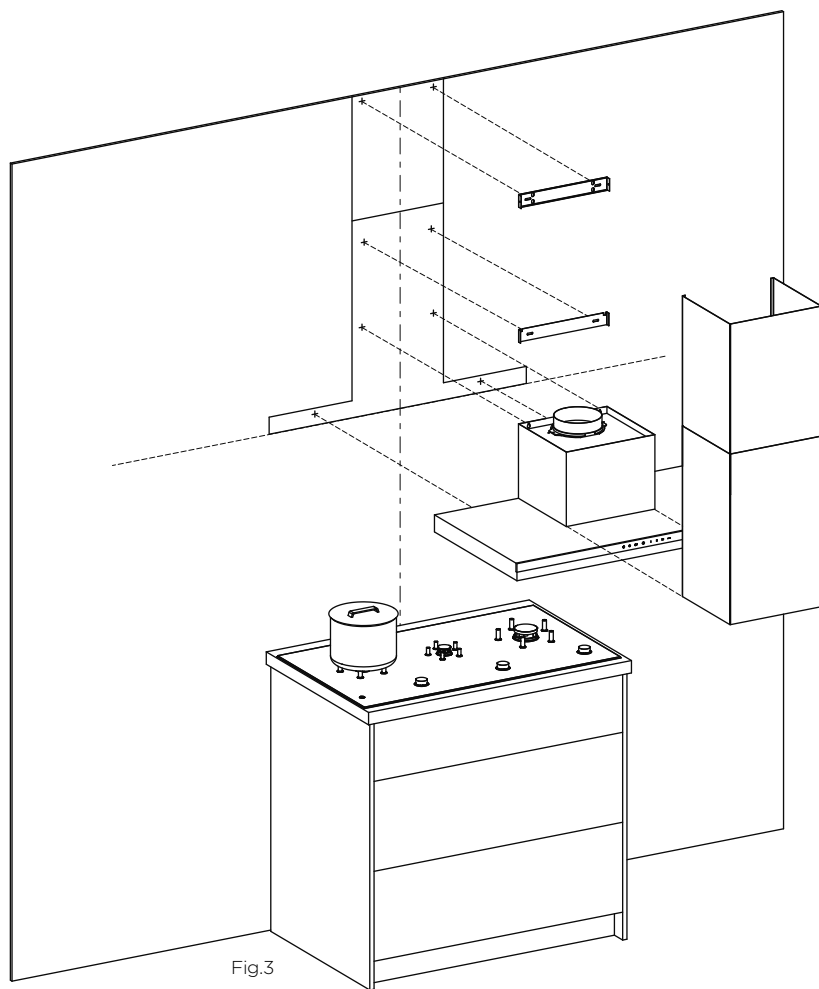
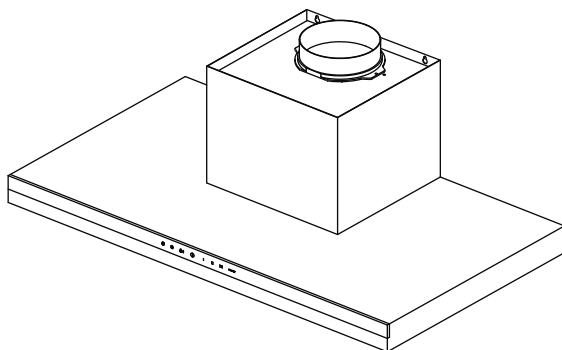


Fig.3

### ③ Attach ducting adapter

- Place the ducting adapter onto the hood and screw it in place using the 10 mm screws.





# INSTALLATION INSTRUCTIONS

## ④ Attach hood to wall

- Remove filters and air flow balancing plate from hood as shown in Fig.4.

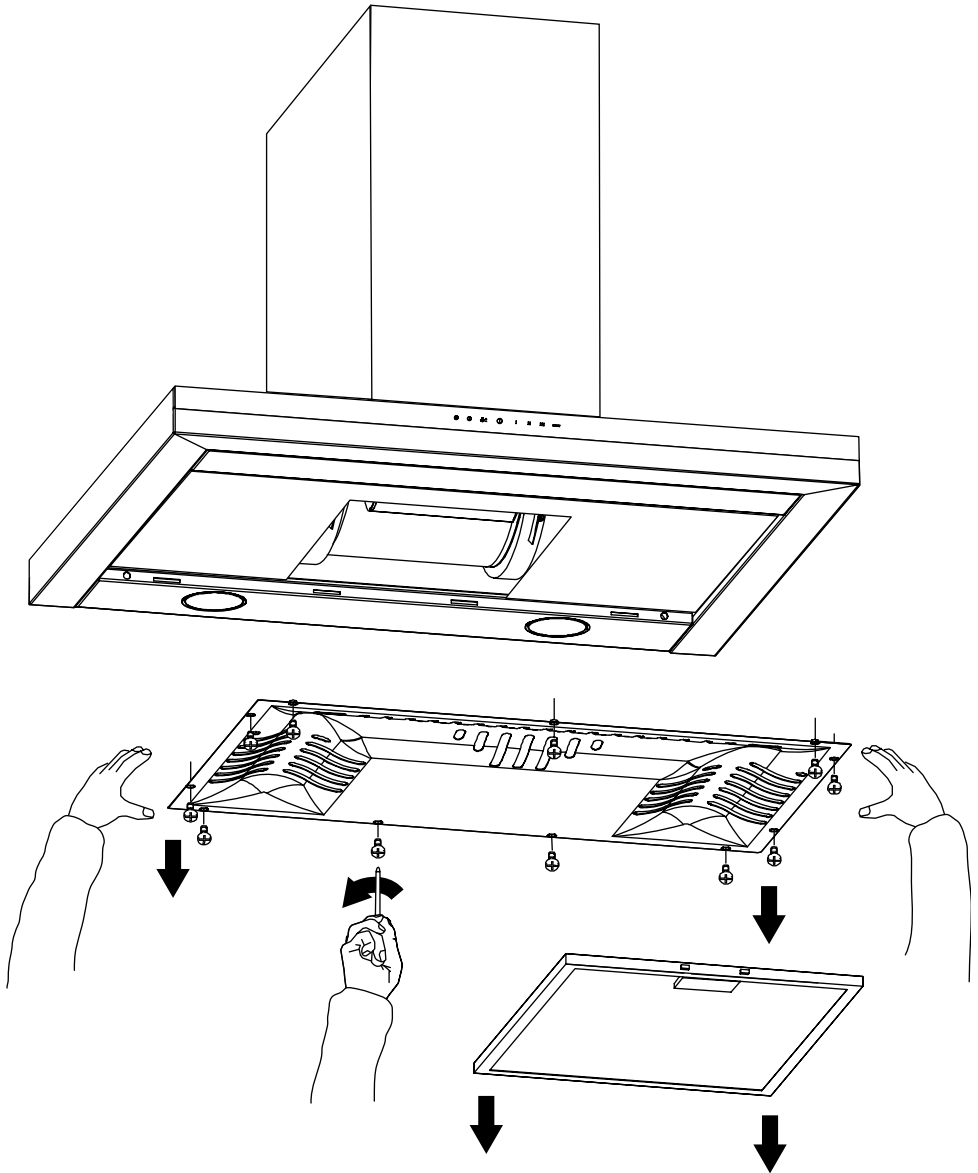
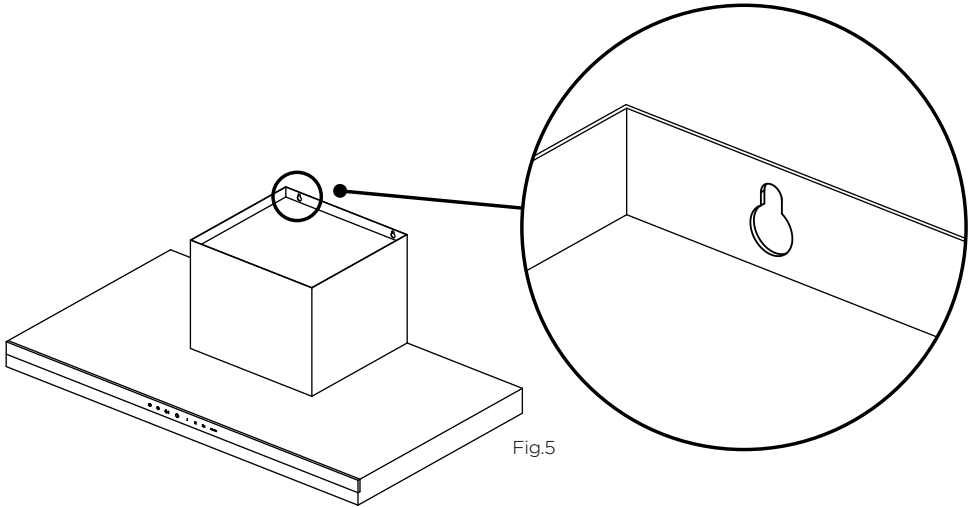


Fig.4

# INSTALLATION INSTRUCTIONS



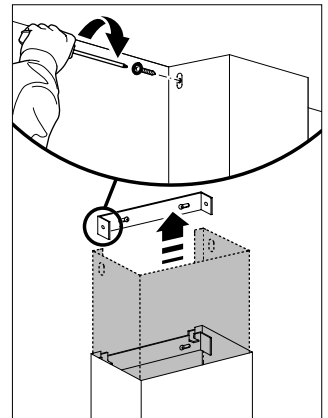
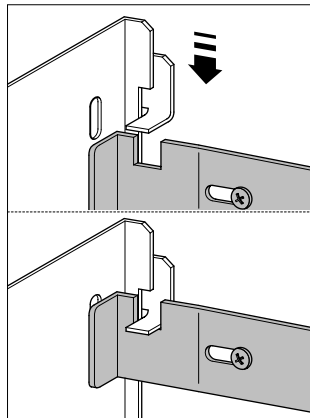
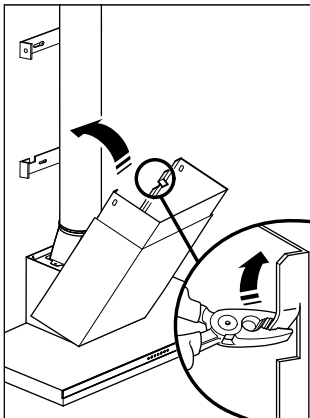
- Hang hood off upper hood mounting screws with 2 mm gap. Hang off the keyhole attachment points on the back of the hood (see Fig.5). Tighten screws.
- Attach lower hood mounting screws to fix hood to wall.
- Reattach air flow balancing plate and filters.

## ⑤ Attach ducting

- Attach ducting to ducting adapter using aluminium duct tape.

## ⑥ Attach chimney

- Bend the tabs on the chimney (A).
- Place chimney around the hood chassis and hang off the bracket (B).
- Extend the upper chimney and attach to the chimney bracket with 10 mm screws (C).



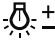




# OPERATING INSTRUCTIONS

## Touch control panel



### CONTROL PANEL FEATURES

	<b>Filter cleaning alert</b>	Activated regularly to alert of the need to clean filters. It can be deactivated with a single press.
	<b>Timer</b>	Turn the timer on. The fan operates for 5 minutes at the current speed and each descending speed before turning off.
	<b>Lights</b>	Turn the lights on or off. The lights are dimmable. Press and hold to progressively adjust the brightness level.
	<b>Power on/off</b>	Turn the rangehood on or off. The fan automatically turns on to operate at level 1.
	<b>Fan speed 1 - 3</b>	Adjust the fan speed levels from 1 - 3 with 1 being the lowest level and 3 being the highest. The fan speed level icon illuminates red when selected.
<b>BOOST</b>	<b>Boost</b>	Turn the fan onto boost speed. The icon flashes red when it is on. The rangehood will operate on boost speed for 5 minutes and will then revert to speed 3.

## CLEANING AND MAINTENANCE

---

### **WARNING!**

Unplug or disconnect the appliance from the power supply before servicing or cleaning.

### **IMPORTANT!**

- Never use abrasive or oil based cleaners
- Wear gloves to protect against sharp edges

### **Maintenance**

The rangehood should be cleaned regularly using a mild, liquid detergent and a clean soft cloth to avoid a build-up of grease occurring. Avoid the use of corrosive chemicals, abrasive cleaning products, hard brushes and steel wool pads. Grease deposits are corrosive which can cause damage to your rangehood.

Note: in areas of high humidity or coastal environments, cleaning should be carried out more frequently.

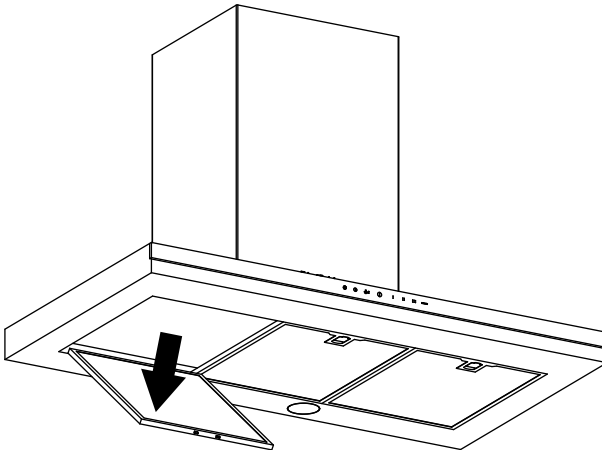
### **Aluminium filters**

- Depending on use, and at least once a month, the aluminium grease filters should be removed and cleaned with hot soapy water or in a dishwasher.
- If washed in a dishwasher, the filters should be placed in an upright position to prevent food from falling on them.
- After rinsing and drying, replace the filters.

Note: some discolouration of the frames may occur.

### **Removing the aluminium filters:**

- ① Pull the relative catch, tilting it downwards until it disengages from the supports.
- ② Reverse these instructions when refitting the filters.



### **WARNING!**

- **When replacing the bulb, let the bulb cool, and assure that power to the rangehood has been turned off.**
- **Use new bulbs according to that indicated on the rangehood nameplate.**

### **Carbon filters - for use in recirculation mode**

Active carbon filters are disposable items designed to remove grease and odours from cooking vapours before the air is channelled back into the kitchen. The active carbon filters must be replaced periodically to work properly, at least once every three months, depending on the frequency with which the rangehood is used.

Note: fully saturated carbon filters can become a barrier to air movement therefore limiting rangehood performance. In the event of fire, grease laden filters could be flammable and therefore regular replacement is recommended.

### **Replacing the light bulb**

**ILCOS D code: DRR-3.5-220/240-GU10-50/50**

- ① Before changing the light bulb, ensure the rangehood is disconnected from the power supply.
- ② Remove the aluminium grease filters.
- ③ Replace light bulbs.
- ④ Refit the aluminium filters.

Please note replacement bulbs are not covered by warranty.

## PARTS AND ACCESSORIES

<b>ITEM</b>	<b>REFERENCE NUMBER</b>
LED bulb	792603
Aluminium filter with stainless steel cover	792577
Recirculation carbon filter x2	792481
Recirculation diverter	792560
Ducting kit 150 mm (eaves)	PD-RHK150E
Ducting kit 150 mm (wall)	PD-RHK150W

## CUSTOMER CARE

---

### **Before you call for service or assistance...**

Check the things you can do yourself. Refer to your user guide and check that:

- ① Your product is correctly installed.
- ② You are familiar with its normal operation.

If after checking these points you still need assistance or parts, please refer to your nearest Fisher & Paykel trained and supported service technician, Customer Care, or contact us through our website [www.fisherpaykel.com](http://www.fisherpaykel.com).

### **In New Zealand if you need assistance...\***

Visit us online or call the Fisher & Paykel Customer Care Centre and talk to one of our Customer Care Consultants.

**Toll free:** 0800 FP CARE or 0800 372 273

**Website:** [www.fisherpaykel.com](http://www.fisherpaykel.com)

**Postal address:** Fisher & Paykel Appliances Ltd, PO Box 58550, Botany, Auckland 2163

### **If you need service...\***

Fisher & Paykel has a network of Fisher & Paykel trained and supported service technicians that can carry out any service necessary on your appliance. Our Customer Care Centre can recommend a Fisher & Paykel trained and supported service technician in your area.

### **In Australia if you need assistance...\***

Visit us online or call the Fisher & Paykel Customer Care Centre and talk to one of our Customer Care Consultants.

**Toll free:** 1300 650 590

**Website:** [www.fisherpaykel.com](http://www.fisherpaykel.com)

**Postal address:** Fisher & Paykel Appliances Australia Pty Ltd, PO Box 798, Cleveland QLD 4163

### **If you need service...\***

Fisher & Paykel has a network of Fisher & Paykel trained and supported service technicians that can carry out any service necessary on your appliance. Our Customer Care Centre can recommend a Fisher & Paykel trained and supported service technician in your area.

### **For rest of the world...\***

Call the Fisher & Paykel Customer Care Centre and talk to one of our Customer Care Consultants.

**Phone:** +64 9 273 0660

**Website:** [www.fisherpaykel.com](http://www.fisherpaykel.com)

**Postal address:** Fisher & Paykel Appliances Ltd, PO Box 58550, Botany, Auckland 2163, New Zealand

## CUSTOMER CARE

---

\*If you call, write or contact us via our website please provide: your name and address, model number, serial number, date of purchase and a complete description of the problem. This information is needed in order to better respond to your request for assistance.

**Product details can be found on the air flow balancing plate underneath the filters.**

### Registration

Register your product with us so we can provide you with the best service possible. To register your product visit our website: **[www.fisherpaykel.com](http://www.fisherpaykel.com)**

Complete and keep for safe reference:

Model \_\_\_\_\_

Serial No. \_\_\_\_\_

Purchase Date \_\_\_\_\_

Purchaser \_\_\_\_\_

Dealer \_\_\_\_\_

Suburb \_\_\_\_\_

Town \_\_\_\_\_

Country \_\_\_\_\_









**FISHERPAYKEL.COM**

© Fisher & Paykel Appliances 2019. All rights reserved.

The product specifications in this document apply to the specific products and models described at the date of issue. Under our policy of continuous product improvement, these specifications may change at any time. You should therefore check with your Dealer to ensure this document correctly describes the product currently available.

**NZ AU ROW**

**104118C 06.19**