

PLANNING GUIDE

PLANNING GUIDE
610mm COLUMN
REFRIGERATOR & FREEZER

RS6121WLUK1 & RS6121WRUK1

—
24/3/2022

FISHER & PAYKEL

CONTENTS

**610mm Column Refrigerator/Freezer
with Stainless Steel Door panels**

Model Nos:

Right Hinge Fridge/Freezer RS6121WRUK1
Stainless Steel Door Panel set RD6121WRD
Handle kit (Square Handle) AHD3R6121W
Stainless Steel Toe kick Panel AKRS6121

Left Hinge Fridge/Freezer RS6121WLUK1
Stainless Steel Door Panel set RD6121WLD
Handle kit (Square Handle) AHD3R6121W
Stainless Steel Toe kick Panel AKRS6121

	page
Purchase Decision	3
Product & Cavity Dimensions	4
Door Opening & Clearance Dimensions	5
Hinge Range of Movement	8
Cavity Preparation (Frameless and Framed)	11-12
Max Distance of Hose & Cord	13
Multiple Installation	16
Handle Data Sheets	17-20

**610mm Column Refrigerator/Freezer
with Custom Door panels**

Model Nos:

Right Hinge Fridge/Freezer RS6121WRUK1

Left Hinge Fridge/Freezer RS6121WLUK1

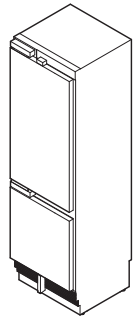
	page
Purchase Decision	3
Product & Cavity Dimensions	6
Door Opening & Clearance Dimensions	7
Hinge Range of Movement	8
Custom Panel Dimensions	9
Custom Panel Preparation	10
Cavity Preparation (Frameless and Framed)	11-12
Max Distance of Hose & Cord	13
Multiple Installations	14-15
Handle Data Sheets	17-20

Note: This guide shows specifications for right hinge models.
For left hinge models, door related specifications are mirrored.

PURCHASE DECISION

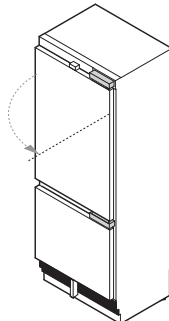
1

CABINET WIDTH



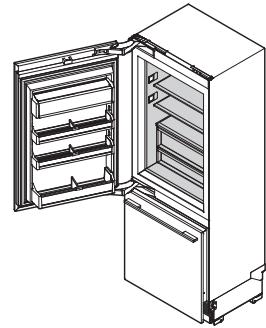
610mm

HINGE SIDE



Right side hinge opening

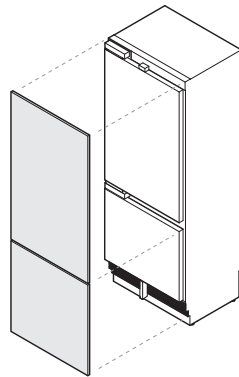
INTERIOR FINISH



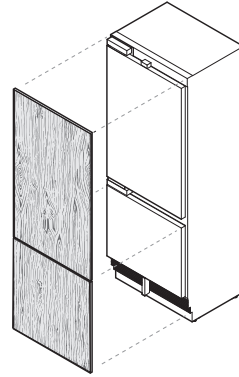
Aluminium interior

2

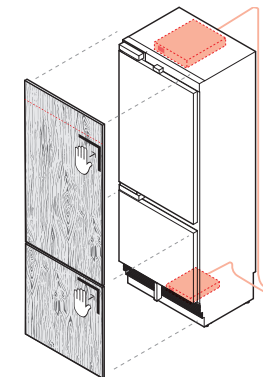
PANEL STYLE



Stainless steel door panels



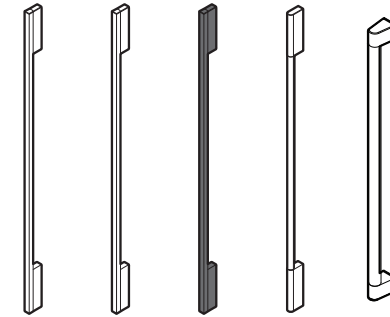
Stainless steel interior



Custom manufactured door panels* with Assisted Opening accessory (available soon)

3

HANDLE OPTION



Contemporary

Professional



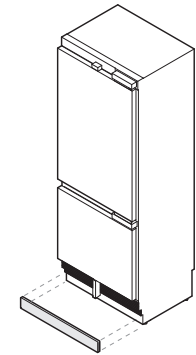
Custom*



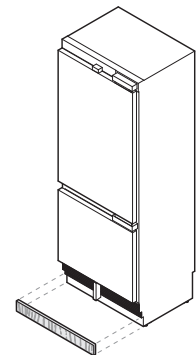
Handle free

4

TOE KICK STYLE



Stainless steel toe kick

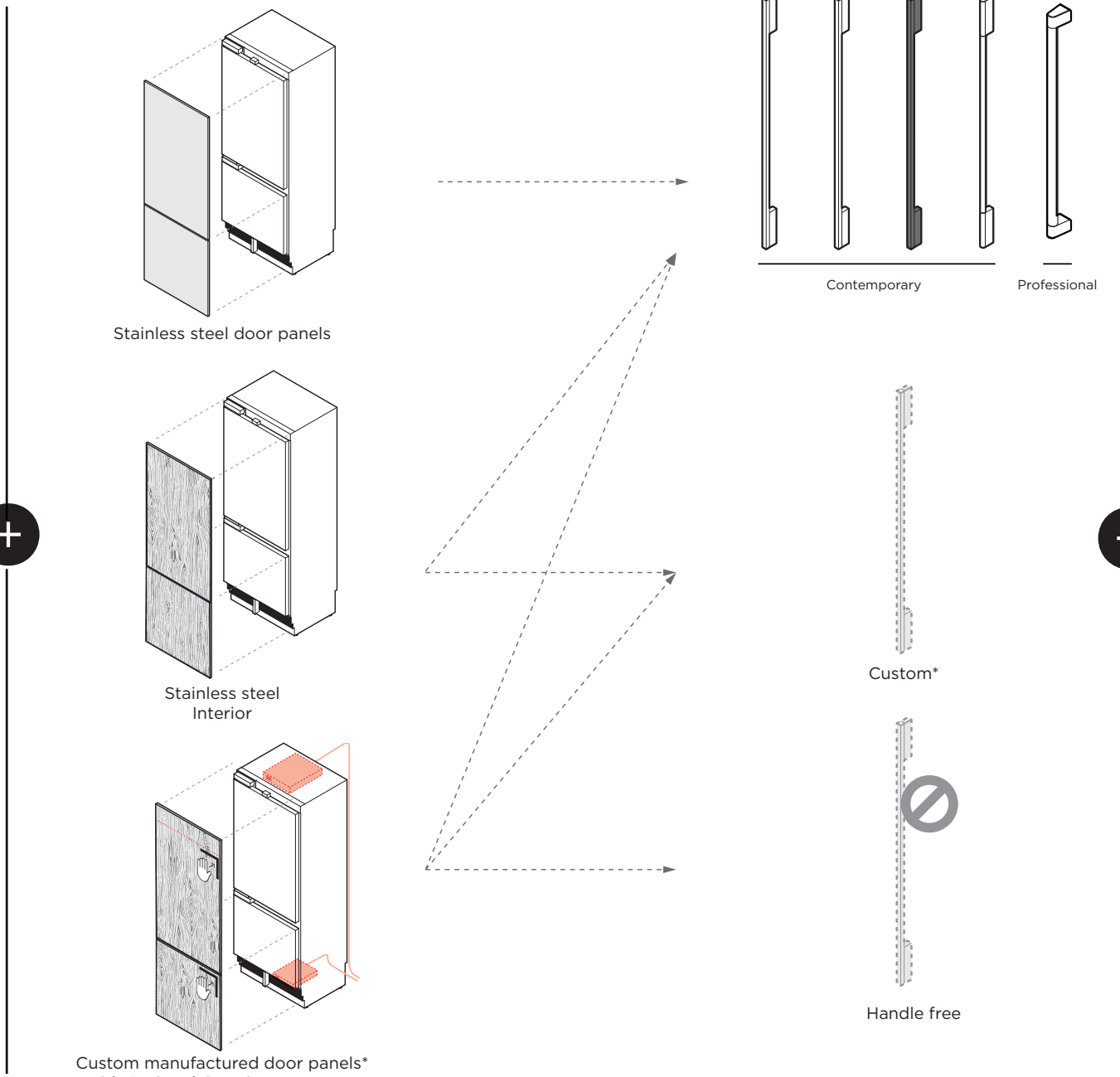


Custom manufactured toe kick panels*

PRODUCT WIDTH	HINGE SIDE	
	Right Hinge	Left Hinge
610mm	RS6121WRUK1	RS6121WLUK1
760mm	RS7621WRUK1	RS7621WLUK1

STAINLESS STEEL DOOR PANELS	
610mm	
Right Hinge	RDW6121WRD
Left Hinge	RDW6121WLD
760mm	
Right Hinge	RDW7621WRD
Left Hinge	RDW7621WLD

ASSISTED OPENING	
OPINEX1RSW (available soon)	



HANDLE KITS	CABINET WIDTH	
	610mm	760mm
CONTEMPORARY		
Square Handle	AHD3RD6121W	AHD3RD7621W
Square Fine Aluminium	AHD5RD6121W	AHD5RD7621W
Square Fine Black	AHD5RD6121WB	AHD5RD7621WB
Round	AHSRD6121W	AHSRD7621W
PROFESSIONAL		
Round Flush	AHP3RD6121W	AHP3RD7621W

STAINLESS TOE KICKS	
610mm	AKRS6121
760mm	AKRS7621
DUAL INSTALL STAINLESS TOE KICKS	
610mm + 610mm	AKRS12210
610mm + 760mm	AKRS13710
760mm + 760mm	AKRS15210
JOINER KIT	
AJ-RS21LR	

*Note: Custom door panels, handles or toe kick panel to be manufactured and fitted by cabinetmaker

FISHER & PAYKEL

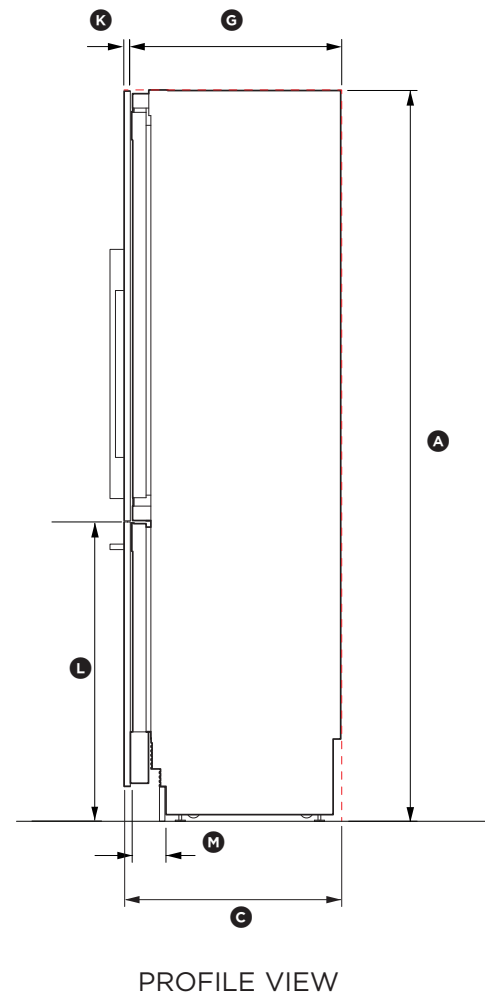
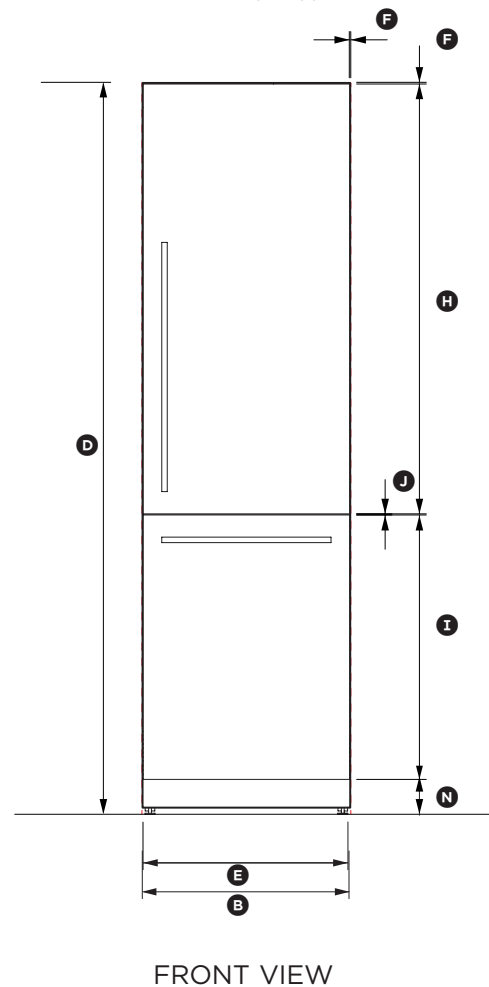
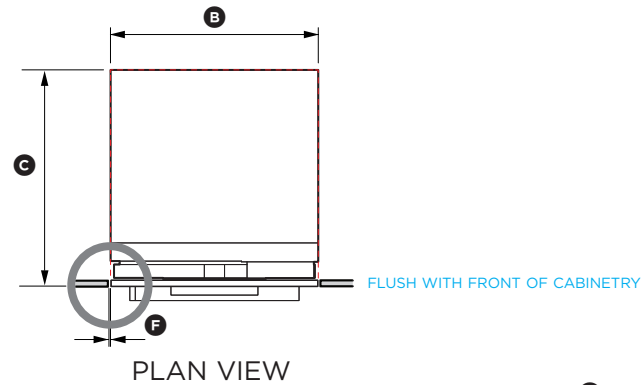
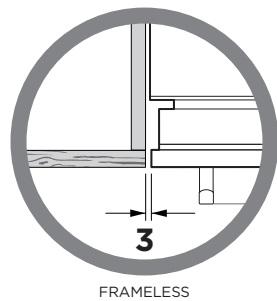
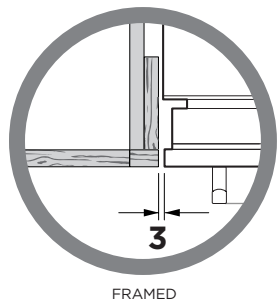
PRODUCT & CAVITY DIMENSIONS 610mm Column Refrigerator/Freezer with Stainless Steel Door panels

Model nos:

Right Hinge Fridge/Freezer RS6121WRUK1
Stainless Steel Door Panel set RD6121WRD
Handle kit (Square Handle) AHD3RD6121W
Stainless Steel Toe kick Panel AKRS6121

NOTE: Left hand hinge model is a mirrored version of image shown.

Left Hinge Fridge/Freezer RS6121WLUK1
Stainless Steel Door Panel set RD6121WLD
Handle kit (Square Handle) AHD3RD6121W
Stainless Steel Toe kick Panel AKRS6121



Cavity Dimensions	mm
Ⓐ Overall height of cavity	2134
Ⓑ Overall width of cavity	610
Ⓒ Minimum overall depth (shallow) of cavity when services are located outside of cavity	635
Minimum overall depth (deep) of cavity when services are located at rear of cavity	650

Product Dimensions	mm
Ⓓ Overall height of product	2134
Ⓔ Overall width of product	603
Ⓕ Minimum cabinetry gap clearance from edge of door panel	3
Ⓖ Overall depth of product (excl. door front panel)	610
Ⓗ Height of top door panel	1254
Ⓙ Height of bottom door drawer	772
Ⓚ Gap between top door and bottom drawer panel	3
Ⓛ Depth of door panel	19
Ⓚ Height from bottom of product to top of drawer panel	874
Ⓜ Depth of toe kick (excl. door front and toe kick panel)	73 - 102
Ⓝ Height of toe kick*	102

*Standard toe kick height is 102mm with the optional stainless door panel.

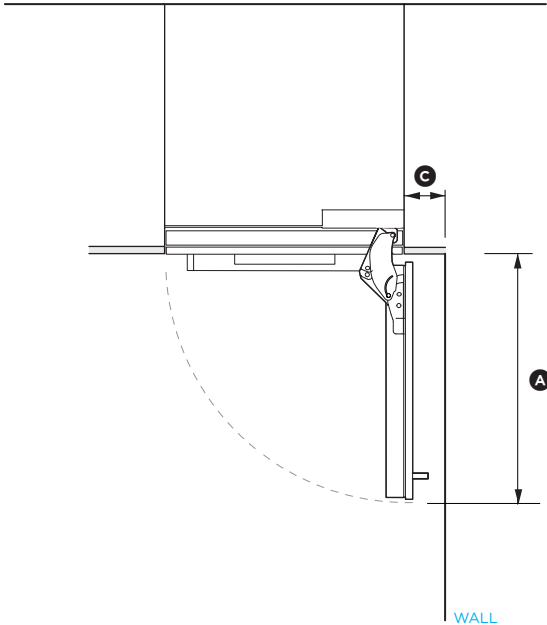
INDICATES CAVITY CLEARANCES - - - - -

DATE: 24/3/2022

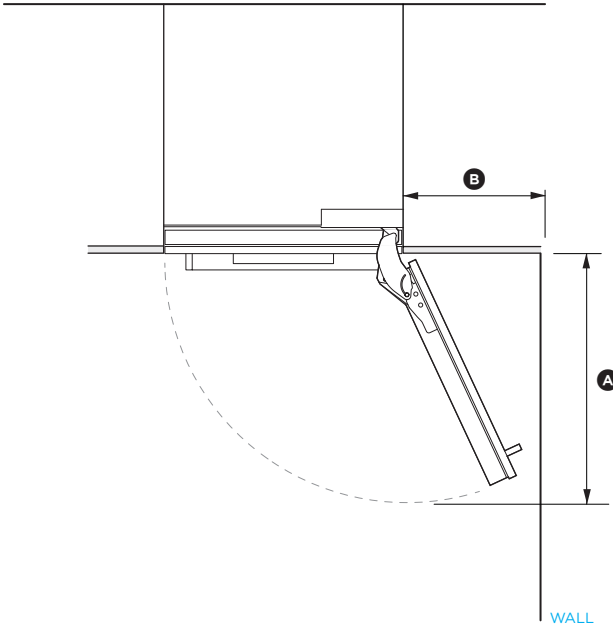
IMPORTANT NOTE: Throughout this guide, dimensions may vary by $\pm 2\text{mm}$ (1/16"). Please read the installation manual for detailed information on installing the product. For full installation instructions & specifications visit fisherpaykel.com

FISHER & PAYKEL

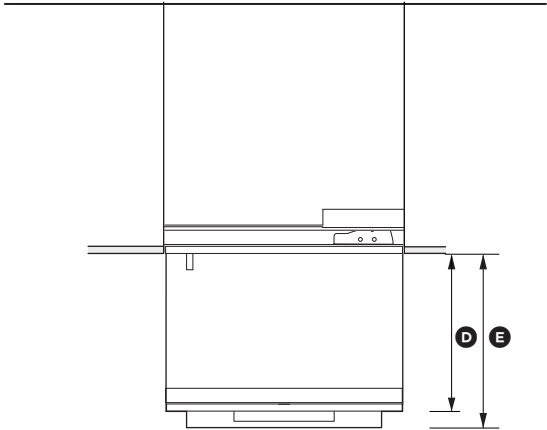
DOOR OPENING CLEARANCE DIMENSIONS 610mm Column Fridge / Freezer



90° DOOR OPENING



115° DOOR OPENING
[FULL ROTATION]



DRAWER OPENING

Model nos:
 Right Hinge Fridge/Freezer RS6121WRUK1
 Stainless Steel Door Panel set RD6121WRD
 Handle kit (Square Handle) AHD3RD6121W
 Stainless Steel Toe kick Panel AKRS6121

NOTE: Left hand hinge model is a mirrored version of image shown.

Left Hinge Fridge/Freezer RS6121WLUK1
 Stainless Steel Door Panel set RD6121WLD
 Handle kit (Square Handle) AHD3RD6121W
 Stainless Steel Toe kick Panel AKRS6121

Door Opening & Clearance Dimensions	mm
Ⓐ Depth of door (90° open) measured from front of door	660
Ⓑ Minimum door clearance to adjacent wall* (115° - full internal access)	356
Ⓒ Minimum door clearance to adjacent wall* (90° - reduced internal access)	110

* Measured from front cabinetry edge.

Drawer Opening & Clearance Dimensions	mm
Ⓓ Depth of drawer (open) measured from front of drawer, excluding handle	420
Ⓔ Depth of drawer (open) measured from front of drawer, including handle	461

DATE: 24/3/2022

IMPORTANT NOTE: Throughout this guide, dimensions may vary by ±2mm (1/16"). Please read the installation manual for detailed information on installing the product. For full installation instructions & specifications visit fisherpaykel.com

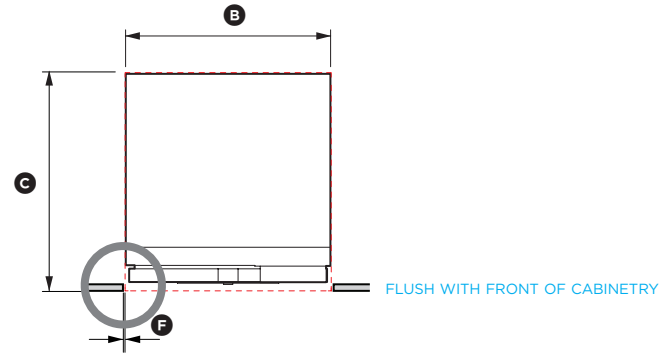
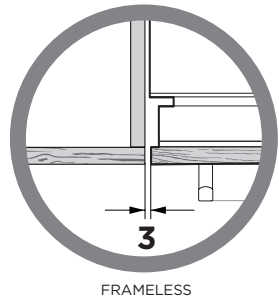
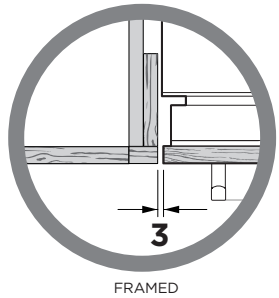
FISHER & PAYKEL

PRODUCT & CAVITY DIMENSIONS 610mm Integrated Column Fridge / Freezer

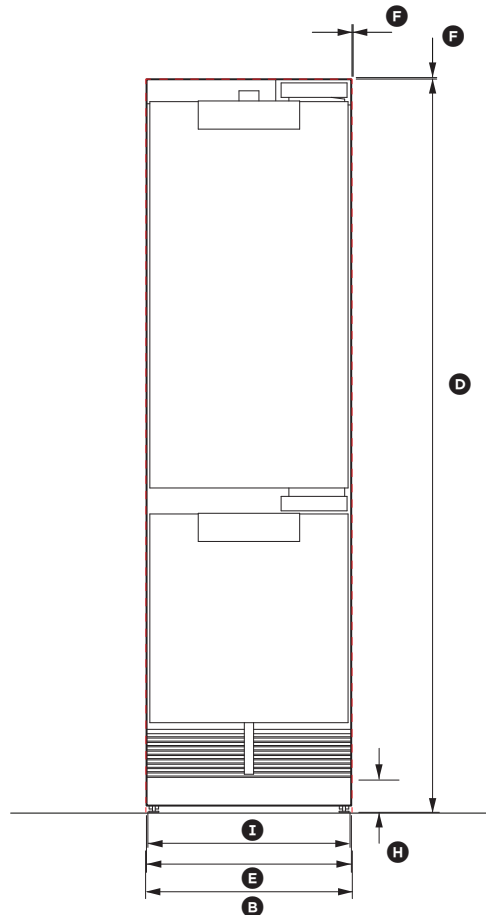
Model nos:

RS6121WRUK1

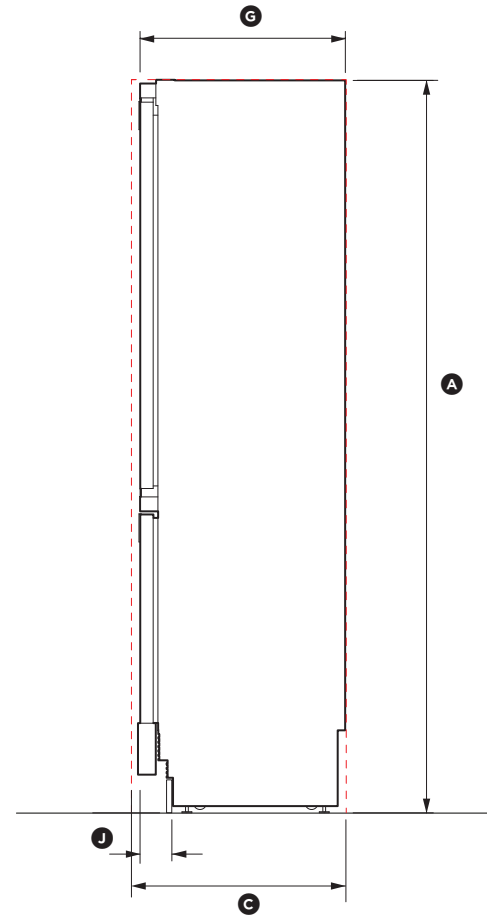
NOTE: Left hand hinge model is a mirrored version of image shown.
RS6121WLUK1



PLAN VIEW



FRONT VIEW



PROFILE VIEW

Cavity Dimensions

	mm
Ⓐ Overall height of cavity	2134
Ⓑ Overall width of cavity	610
Ⓒ Minimum overall depth (shallow) of cavity when services are located outside of cavity*	635
Minimum overall depth (deep) of cavity when services are located at rear of cavity*	650

* Assumes a door panel thickness of 19mm.

Total front panel width with required gaps at sides = 610mm
(Refer custom panel dimensions - panel width + 2 x F cabinetry gaps).

Product Dimensions

	mm
Ⓐ Overall height of product	2134
Ⓑ Overall width of product	603
Ⓕ Minimum cabinetry gap clearance from edge of custom panels**	3
Ⓒ Overall depth of product (excl. door front panel)	610
Ⓓ Height of toe kick**	50 - 152
Ⓔ Width of toe kick**	606
Ⓗ Depth of toe kick** (excl. door front and toe kick panels)	73 - 102

** For custom panel dimensions refer to page 9.

Door panel and custom toe kick panel to be manufactured and fitted by cabinetmaker. Door panel thickness min 16mm - max 25mm

INDICATES CAVITY CLEARANCES

DATE: 24/3/2022

IMPORTANT NOTE: Throughout this guide, dimensions may vary by $\pm 2\text{mm}$ (1/16"). Please read the installation manual for detailed information on installing the product. For full installation instructions & specifications visit fisherpaykel.com

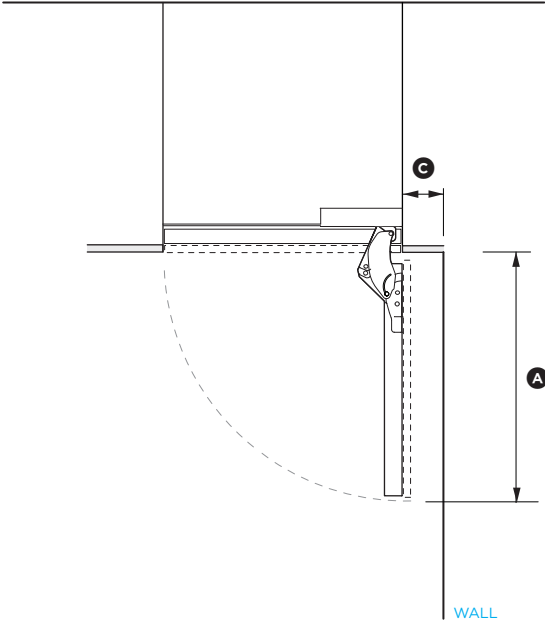
FISHER & PAYKEL

DOOR OPENING CLEARANCE DIMENSIONS 610mm Integrated Column Fridge / Freezer

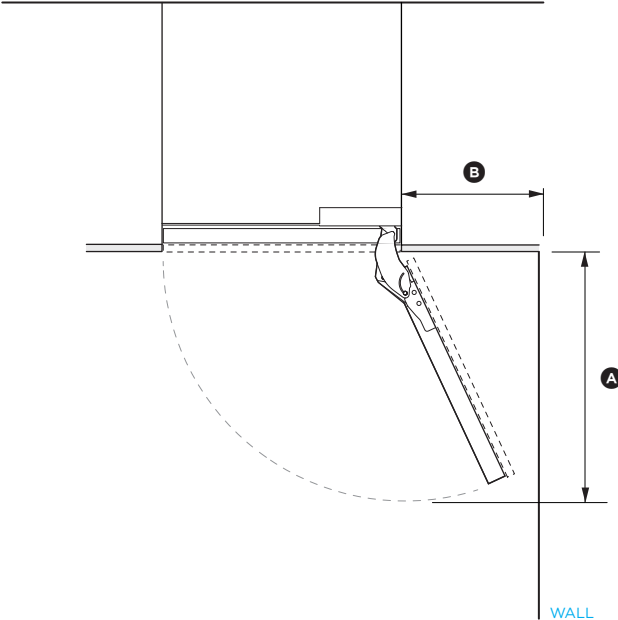
Model nos:

RS6121WRUK1

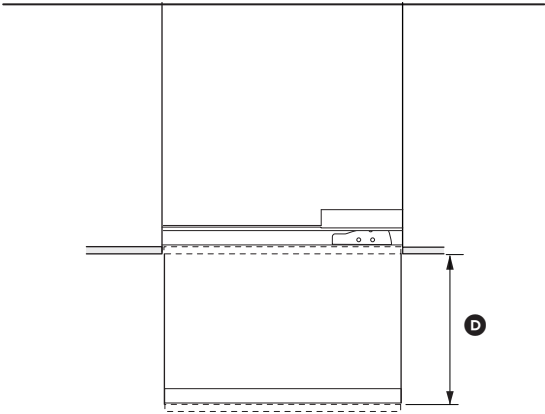
NOTE: Left hand hinge model is a mirrored version of image shown.
RS6121WLUK1



90° DOOR OPENING



115° DOOR OPENING
[FULL ROTATION]



DRAWER OPENING

Door Opening & Clearance Dimensions	mm
Ⓐ Depth of door (90° open) measured from front of door	660
Ⓑ Minimum door clearance** to adjacent wall* (115° - full internal access)	356
Ⓒ Minimum door clearance** to adjacent wall* (90° - reduced internal access)*	110

Drawer Opening & Clearance Dimensions	mm
Ⓓ Depth of drawer (open) measured from front of drawer*	400

* Does not include the custom door panels or handles to be manufactured and fitted by cabinetmaker.

** Measured from front cabinetry edge.

DATE: 24/3/2022

IMPORTANT NOTE: Throughout this guide, dimensions may vary by ±2mm (1/16"). Please read the installation manual for detailed information on installing the product. For full installation instructions & specifications visit fisherpaykel.com

FISHER & PAYKEL

CUSTOM PANEL PREPERATION - HINGE 610mm Integrated Column Fridge / Freezer

Model nos:

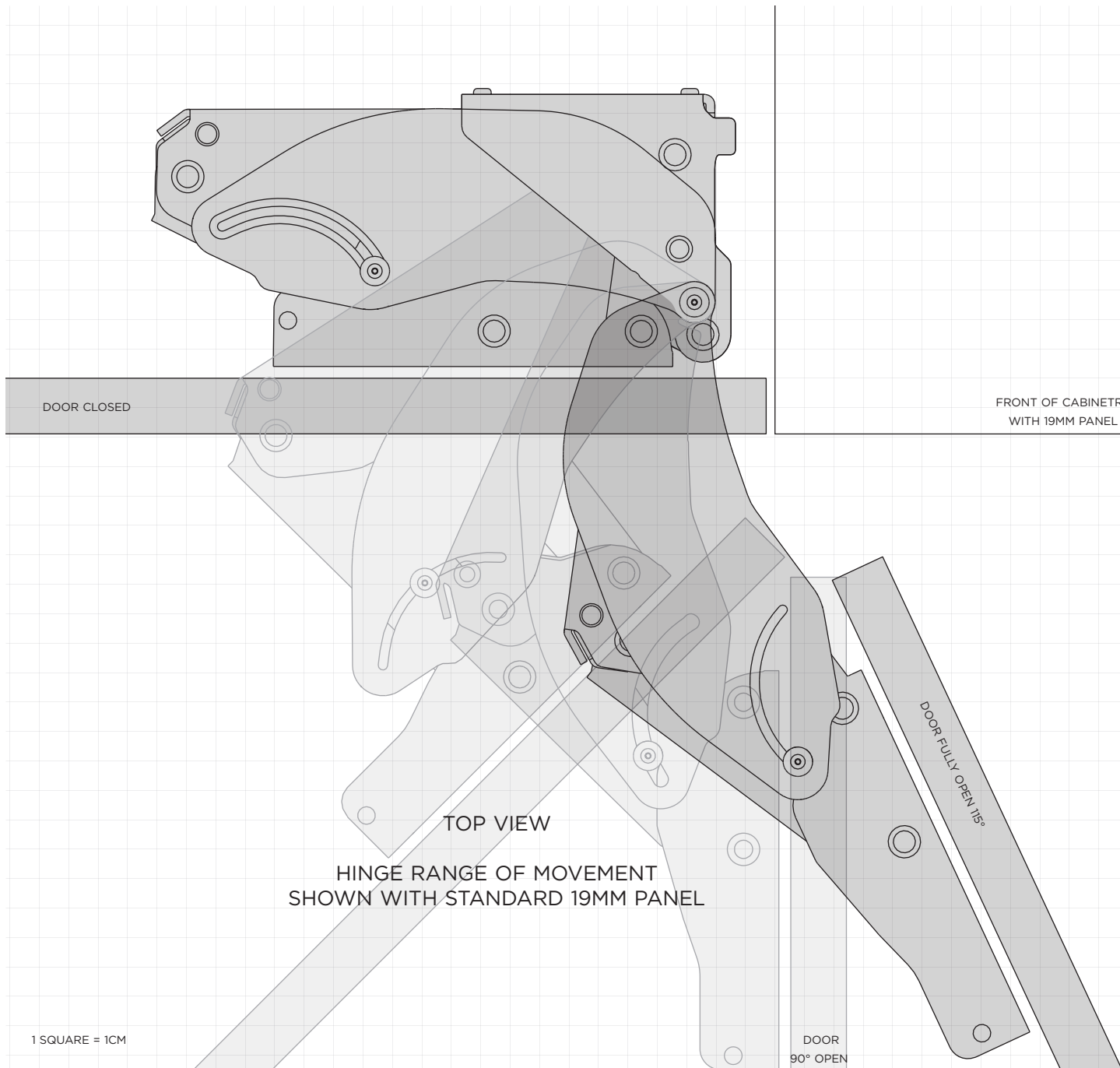
RS6121WRUK1

NOTE: Left hand hinge model is a mirrored version of image shown.
RS6121WLUK1

Dwg & Dxf Files

Dwg and Dxf files of the panel preparation are available under the resource information for this product which can be found on <https://www.fisherpaykel.com>

Door Hinge - Hettich K05



DATE: 24/3/2022

IMPORTANT NOTE: Throughout this guide, dimensions may vary by $\pm 2\text{mm}$ (1/16"). Please read the installation manual for detailed information on installing the product. For full installation instructions & specifications visit [fisherpaykel.com](https://www.fisherpaykel.com)

FISHER & PAYKEL

CUSTOM PANEL DIMENSIONS 610mm Integrated Column Fridge / Freezer

Model nos:

RS6121WRUK1

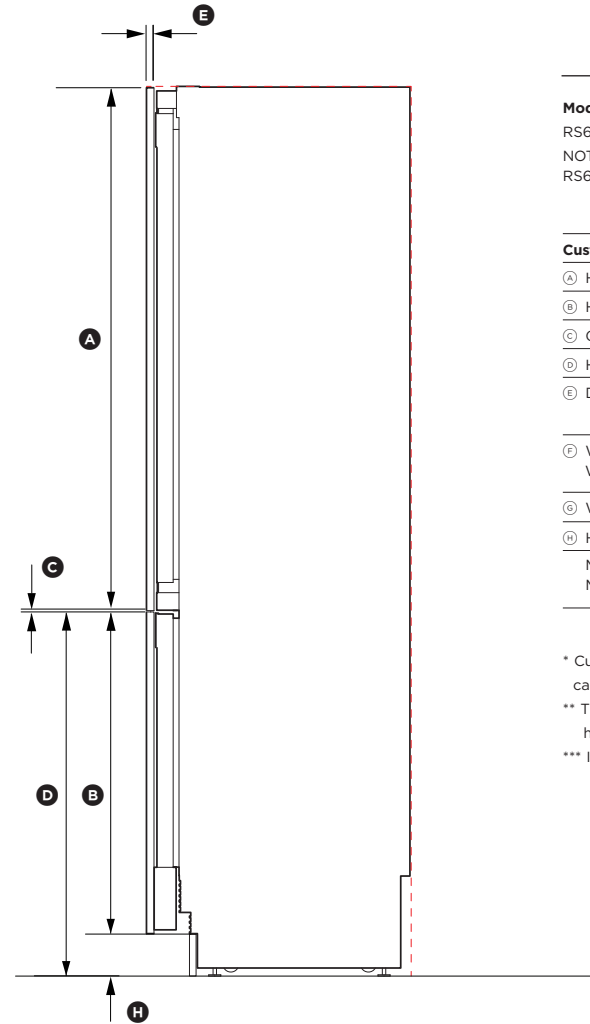
NOTE: Left hand hinge model is a mirrored version of image shown.
RS6121WLUK1

Custom Panel Dimensions*	mm
Ⓐ Height of top door panel	1254
Ⓑ Height of bottom drawer panel	721 - 822
Ⓒ Gap between door and drawer panel	3
Ⓓ Height from bottom of product to top of drawer panel	874
Ⓔ Depth of custom panels	min 16 max 25
Ⓕ Width of door panel - single install	603
Width of door panel - dual install	605
Ⓖ Width of toe kick panel	606
Ⓗ Height of toe kick panel**	50 -152**
Maximum weight of top door panel***	max 15.5kg
Maximum weight of bottom drawer panel	max 9.5kg

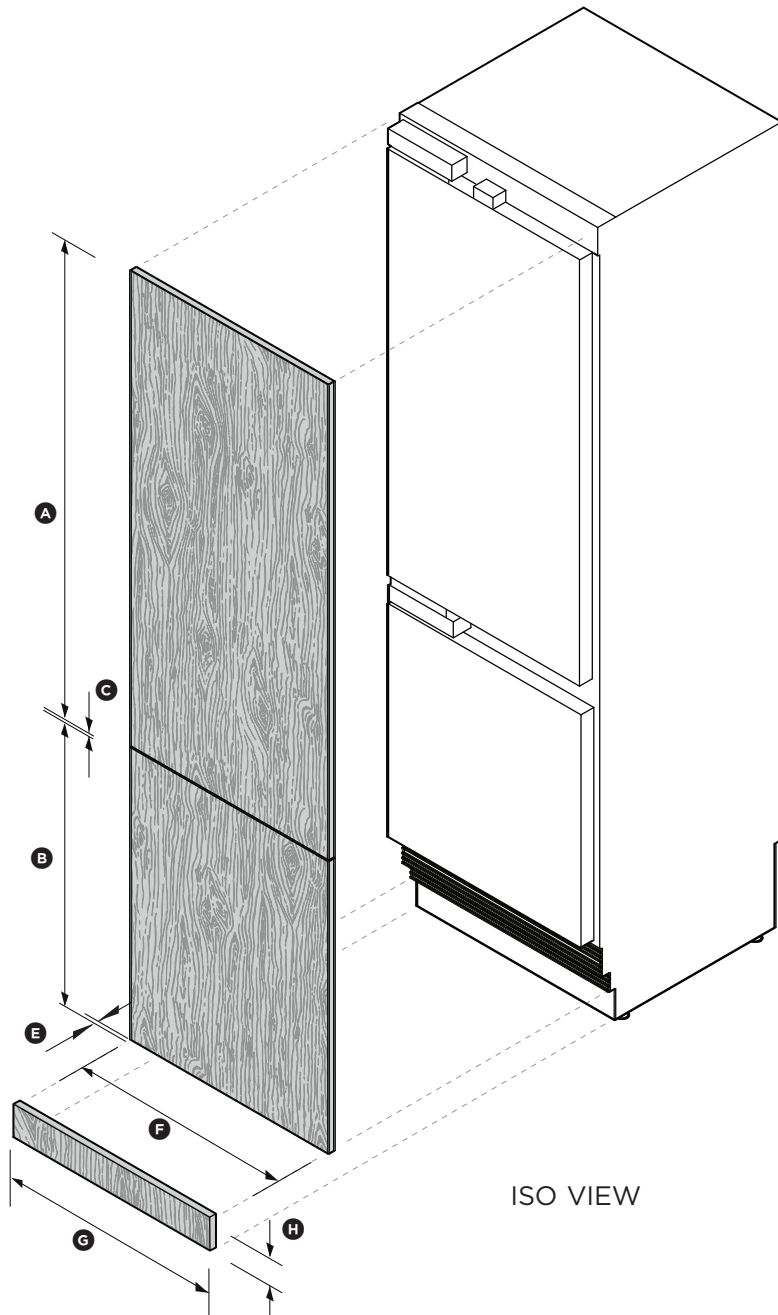
* Custom door panels, toe kick and handles to be manufactured / fitted by cabinetmaker.

** The bottom grille can be reduced to allow for a higher toe kick. Adjust the height of the door panel accordingly.

*** Includes weight of handle.



SIDE VIEW

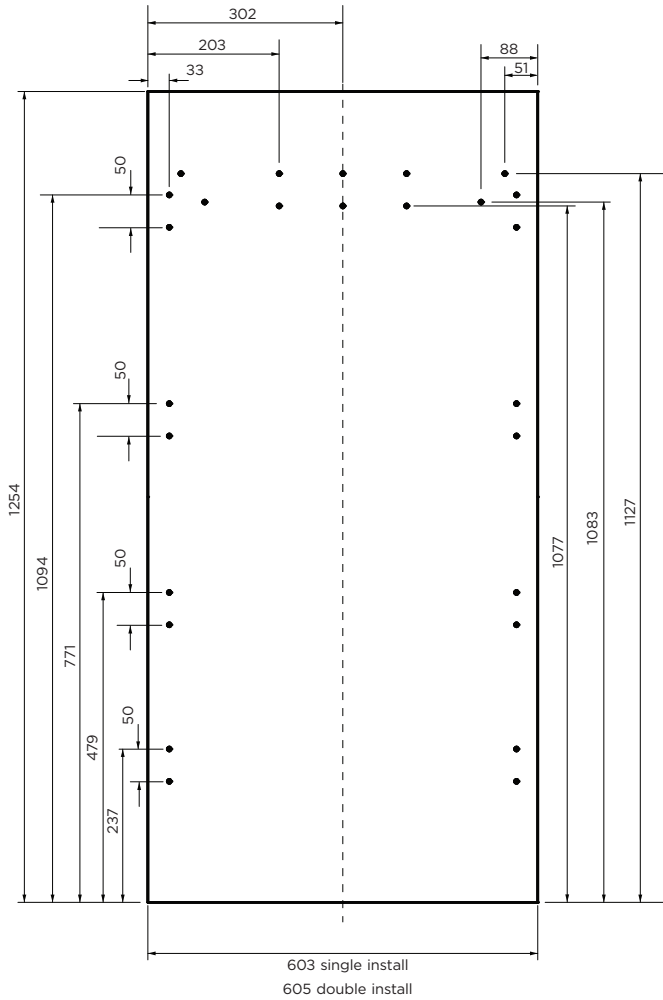


ISO VIEW

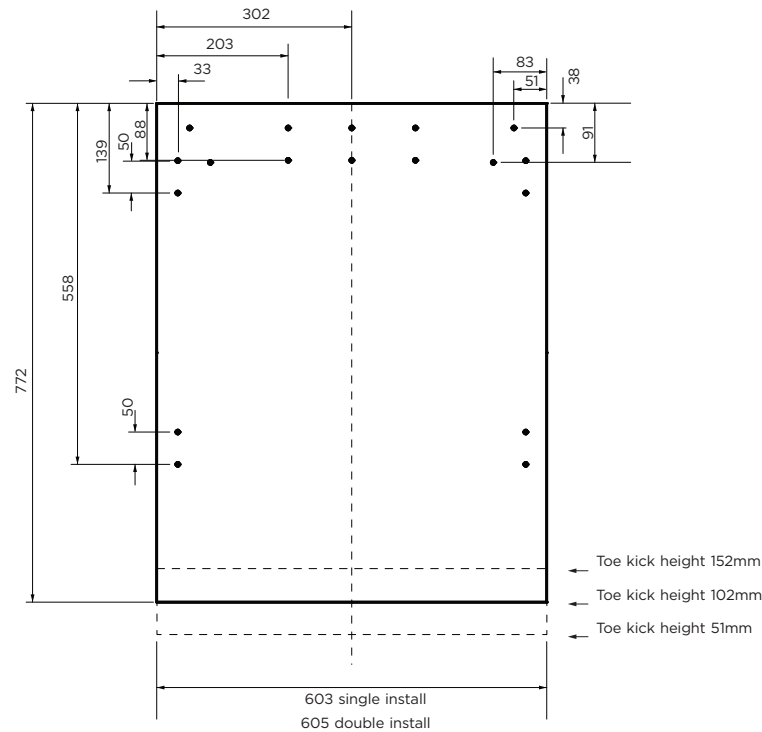
DATE: 24/3/2022

IMPORTANT NOTE: Throughout this guide, dimensions may vary by $\pm 2\text{mm}$ (1/16"). Please read the installation manual for detailed information on installing the product. For full installation instructions & specifications visit fisherpaykel.com

610MM
TOP DOOR PANEL
REAR VIEW



610MM
BOTTOM DRAWER PANEL
REAR VIEW



Notes:

Ø 2mm REF -Pilot holes recommended for bracket attachment.
(Do not penetrate front surface)

Ensure handle is mounted 65 mm from edge to center of panel
this will avoid interference with brackets

Ensure screw heads are countersunk into the back of the door panel to
avoid interference with the hanging bracket

FISHER & PAYKEL

CUSTOM PANEL PREPARATION
610mm Integrated Column Fridge / Freezer

Model nos:

RS6121WRUK1 & RS6121WLUK1

Custom Panel Preparation

Dimensions are shown in millimetres (mm).

Dimensions apply for the preparation and installation of custom panels

Handles

Ensure handle screw heads are countersunk into back of panel to avoid
interfering with hanging bracket, and clear of side brackets

Dwg & Dxf Files

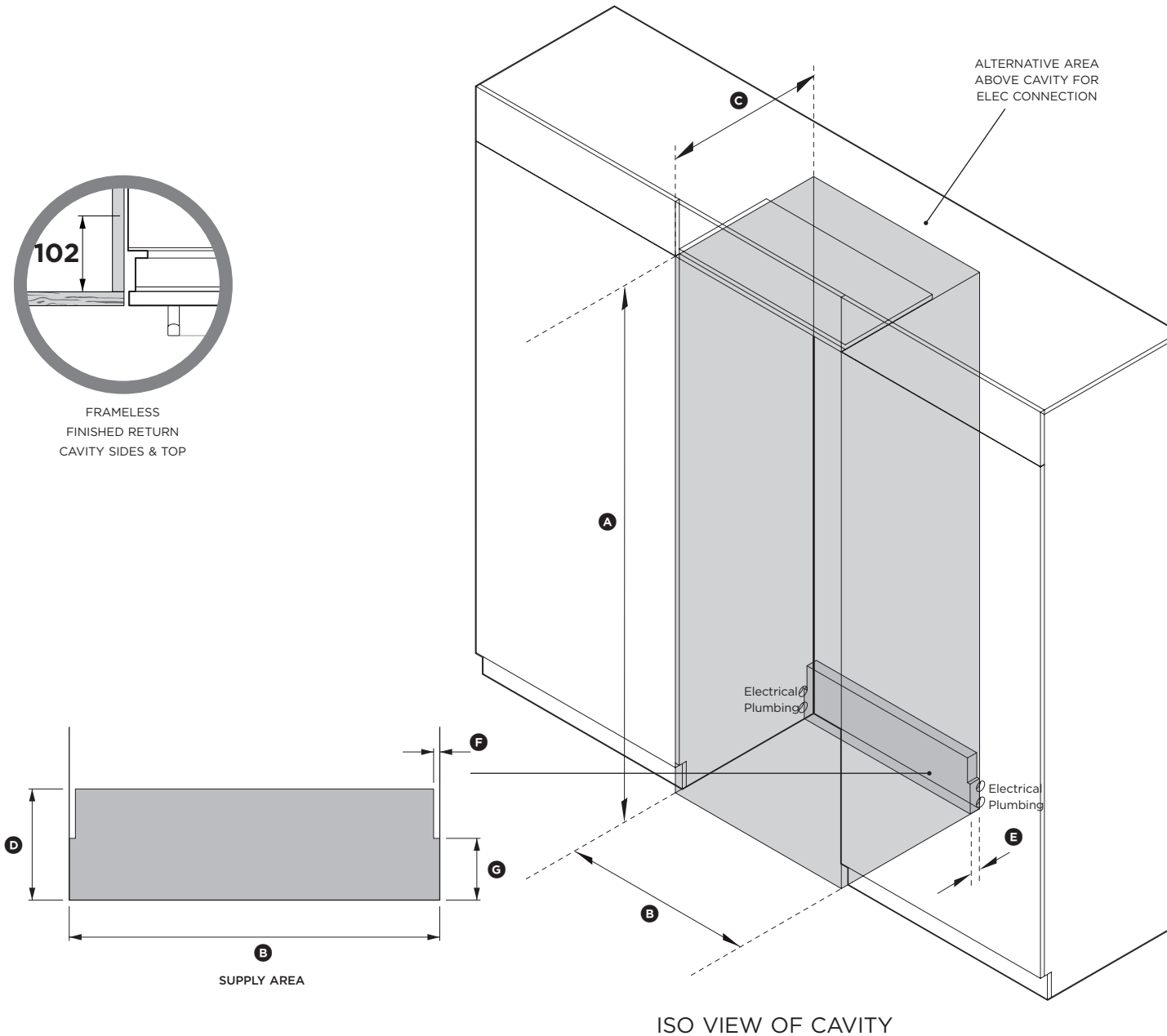
Dwg and Dxf files of the panel preparation are available under the resource
information for this product which can be found on
<https://www.fisherpaykel.com>

DATE: 24/3/2022

IMPORTANT NOTE: Throughout this guide, dimensions may vary by ±2mm (1/16").
Please read the installation manual for detailed information on installing the
product. For full installation instructions & specifications visit [fisherpaykel.com](https://www.fisherpaykel.com)

FISHER & PAYKEL

CAVITY PREPARATION - FRAMELESS 610mm Integrated Column Fridge / Freezer



Model nos:

RS6121WRUK1

NOTE: Left hand hinge model is a mirrored version of image shown.

RS6121WLUK1

IMPORTANT!

For ease of installation, ensure cavity has consistent dimensions top to bottom and left to right.

Minimum Cavity Dimensions	mm
Ⓐ Overall height of cavity	2134
Ⓑ Overall width of cavity	610
Ⓒ Minimum overall depth (shallow) of cavity when services are located outside of cavity*	635
Minimum overall depth (deep) of cavity when services are located at rear of cavity*	650
Minimum required finished return	102

*Assumes a door panel depth of 19mm.

Electrical / Plumbing Supply Dimensions	mm
Ⓓ Overall height of supply area	229
Ⓔ Overall depth of supply area	25
Ⓕ Width of notch in supply area (both sides)	13
Ⓖ Height of sides of supply area (both sides)	127

Specifications

Electrical

Supply	230 VAC, 50 Hz
Service	10 Amp circuit

Plumbing

Supply	AU/NZ 1/2" (12.7mm) comp. stainless steel braided with hose adopter
	GB/EU/CN 3/4" (19mm) comp. stainless steel braided with hose adopter

Pressure	min 150 kPa (22 psi) max 827 kPa (120 psi) @ 20°C (68°F)
----------	---

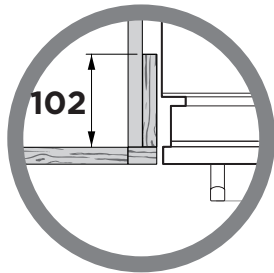
NOTE: Connections may be located in an adjacent cabinet to either side of the fridge.

DATE: 24/3/2022

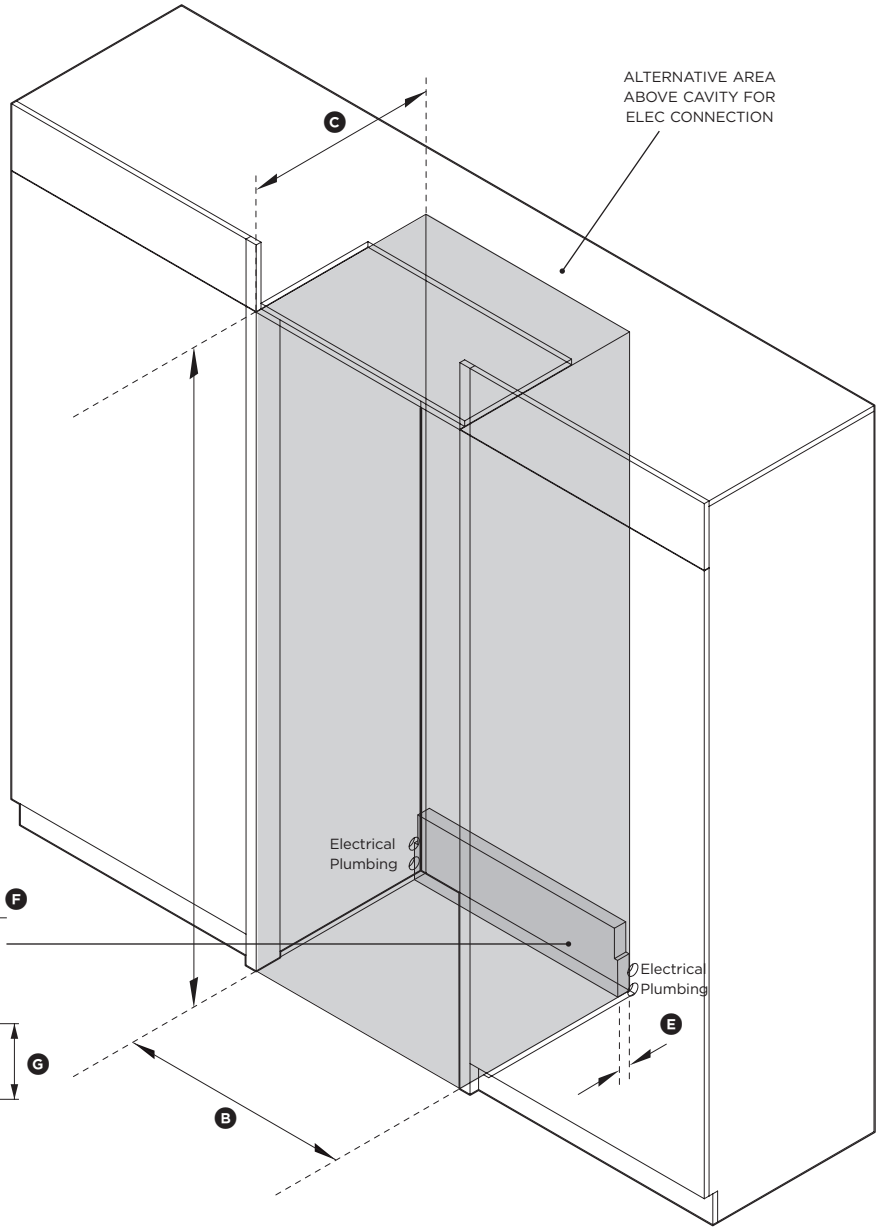
IMPORTANT NOTE: Throughout this guide, dimensions may vary by ±2mm (1/16"). Please read the installation manual for detailed information on installing the product. For full installation instructions & specifications visit fisherpaykel.com

FISHER & PAYKEL

CAVITY PREPARATION - FRAMED 610mm Integrated Column Fridge / Freezer



FRAMED
FINISHED RETURN
CAVITY SIDES & TOP



ISO VIEW OF CAVITY

Model nos:

RS6121WRUK1

NOTE: Left hand hinge model is a mirrored version of image shown.
RS6121WLUK1

IMPORTANT!

For ease of installation, ensure cavity has consistent dimensions top to bottom and left to right.

Minimum Cavity Dimensions	mm
Ⓐ Overall height of cavity	2134
Ⓑ Overall width of cavity	1220
Ⓒ Minimum overall depth (shallow) of cavity when services are located outside of cavity*	635
Minimum overall depth (deep) of cavity when services are located at rear of cavity*	650
Minimum required finished return	102

*Assumes a door panel depth of 19mm.

Electrical / Plumbing Supply Dimensions	mm
Ⓓ Overall height of supply area	229
Ⓔ Overall depth of supply area	25
Ⓕ Width of notch in supply area (both sides)	13
Ⓖ Height of sides of supply area (both sides)	127

Specifications	
Electrical	
Supply	230 VAC, 50 Hz
Service	10 amp circuit
Plumbing	
Supply	AU/NZ 1/2" (12.7mm) comp. stainless steel braided with hose adopter GB/EU/CN 3/4" (19mm) comp. stainless steel braided with hose adopter
Pressure	min 150 kPa (22 psi) max 827 kPa (120 psi) @ 20°C (68°F)

NOTE: Connections may be located in an adjacent cabinet to either side of the fridge.

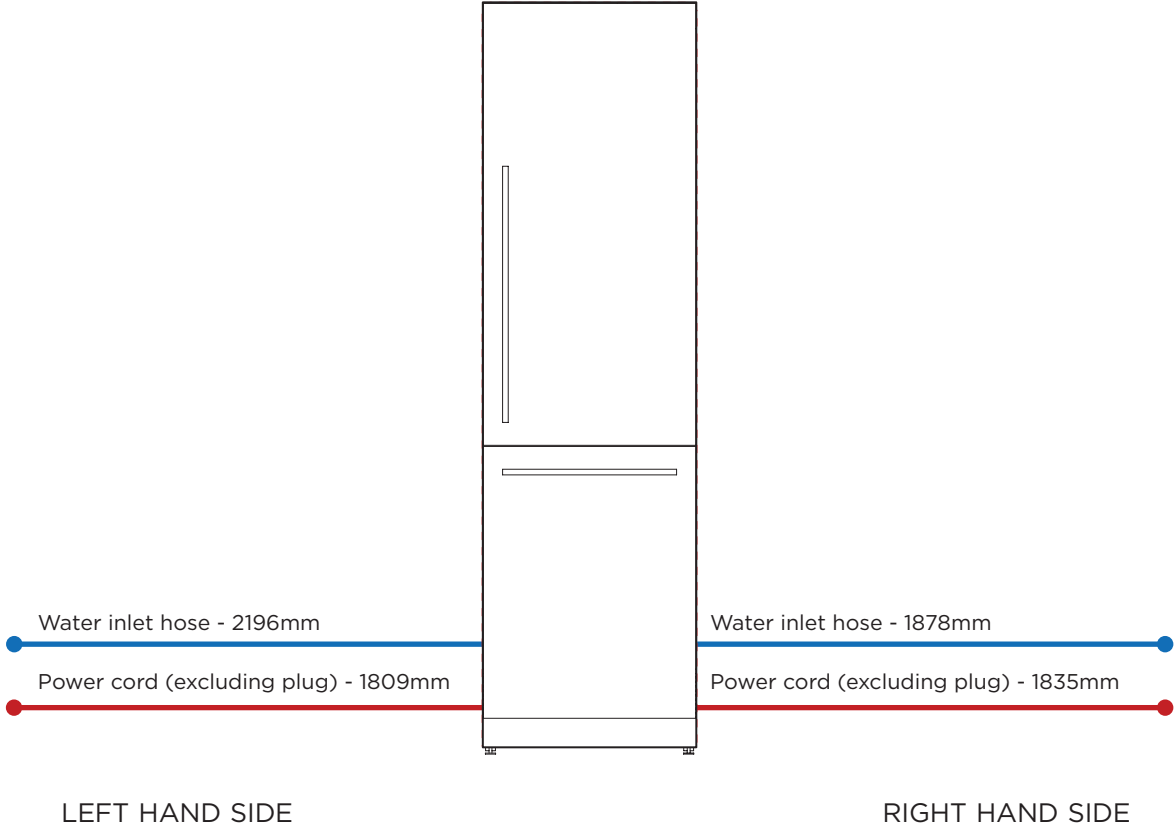
DATE: 24/3/2022

IMPORTANT NOTE: Throughout this guide, dimensions may vary by ±2mm (1/16"). Please read the installation manual for detailed information on installing the product. For full installation instructions & specifications visit fisherpaykel.com

FISHER & PAYKEL

POWER AND WATER CONNECTIONS 610mm Integrated Column Fridge / Freezer

Model nos:
RS6121WRUK1
NOTE: Left hand hinge model is a mirrored version of image shown.
RS6121WLUK1



DATE: 24/3/2022

IMPORTANT NOTE: Throughout this guide, dimensions may vary by $\pm 2\text{mm}$ (1/16"). Please read the installation manual for detailed information on installing the product. For full installation instructions & specifications visit fisherpaykel.com

FISHER & PAYKEL

MULTIPLE INSTALLATION - CUSTOM PANELS 610mm Integrated Column Fridge/Freezer Right & Left hand hinge Custom Panels

Model nos:

RS6121WRUK1 & RS6121WLUK1

IMPORTANT!

For ease of installation, ensure cavity has consistent dimensions
top to bottom and left to right.

Clearance Dimensions	mm
Ⓐ Overall height of cavity	2134
Ⓑ Overall width of cavity*	1220
Ⓒ Minimum overall depth (shallow) of cavity when services are located outside of cavity** Minimum overall depth (deep) of cavity when services are located at rear of cavity**	635 650
Ⓓ Width of supply area behind individual fridge/freezer	610
Ⓔ Height of supply area	229
Ⓕ Height of sides of supply area	127
Ⓖ Width of notch in supply area	13
Ⓗ Combined width in from side of supply areas	25
Ⓘ Depth of supply areas	25
Minimum door cabinetry gap clearance	3

Custom Panel Dimensions***

Custom Panel Dimensions***	mm
Ⓙ Width of door panel - dual install (2mm added to each panel to maintain a 3mm gap)	605
Ⓚ Width of custom toe kick panel****	1216
Ⓛ Height of custom toe kick panel****	50 - 152

* Columns attach directly together. No cavity divider is necessary (unless arranging hinge to hinge).

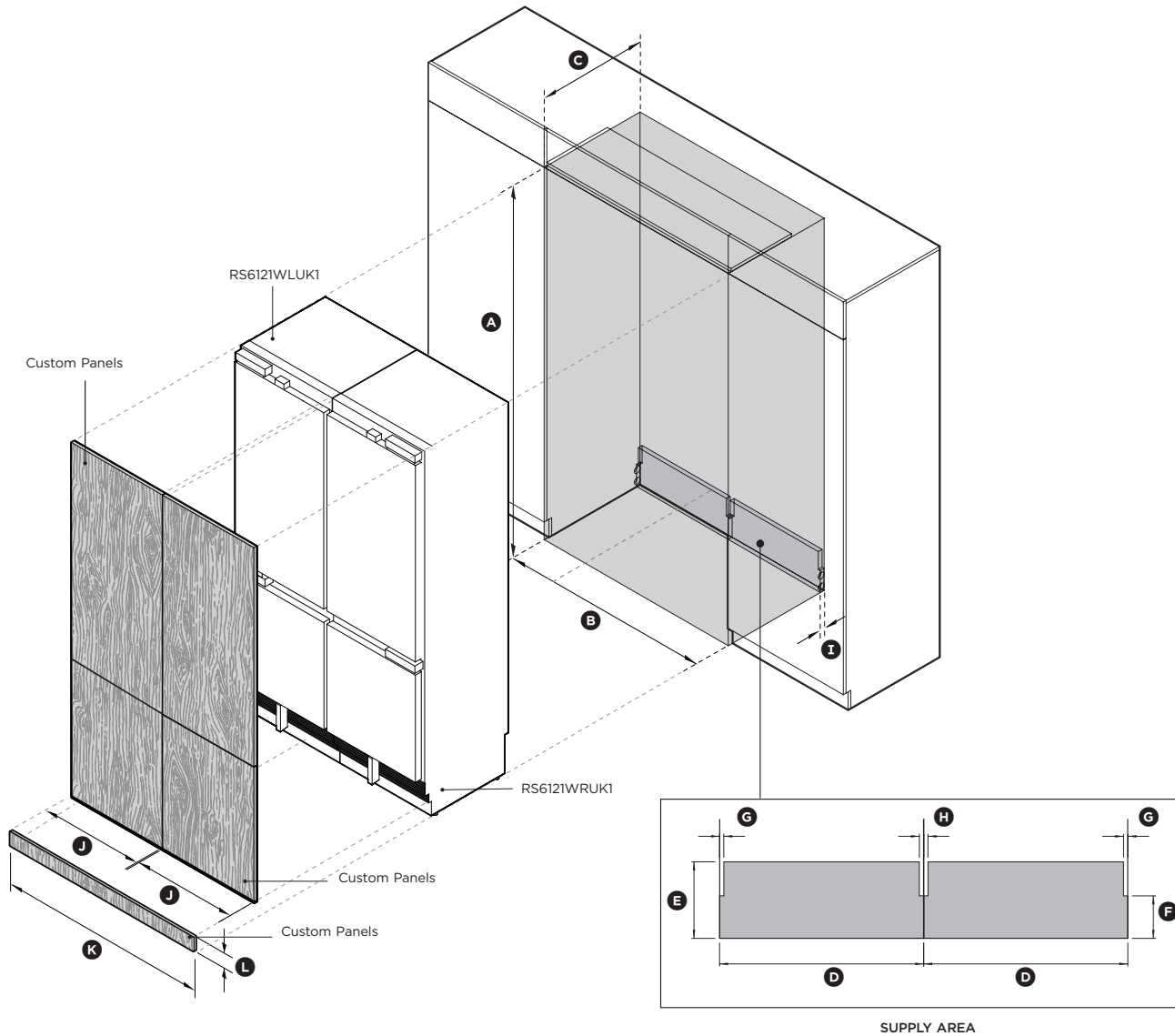
**Assumes a door panel depth of 19mm.

Connections may be located in an adjacent cabinet to either side of the fridge.

*** Custom panels to be manufactured & fitted by cabinetmaker. Refer to page 9 for Custom panel dimensions

**** Optional 100mm tall stainless steel toe kick panel for dual installation is available. Alternatively, a custom built toe kick (H 50mm-152mm x W 1216mm) may be fitted as shown. Adjust the height of the door panel accordingly.

***** Door handle kit is available as an optional accessory.



DATE: 24/3/2022

IMPORTANT NOTE: Throughout this guide, dimensions may vary by $\pm 2\text{mm}$ (1/16"). Please read the installation manual for detailed information on installing the product. For full installation instructions & specifications visit fisherpaykel.com

FISHER & PAYKEL

MULTIPLE INSTALLATION - CUSTOM PANELS 610mm Integrated Column Fridge/Freezer Right Hand Hinge 610mm Integrated Fridge Left Hand Hinge Custom Panels

Model nos:
RS6121WRUK1 & RS6121SLHK1

IMPORTANT!
For ease of installation, ensure cavity has consistent dimensions
top to bottom and left to right.

Clearance Dimensions	mm
Ⓐ Overall height of cavity	2134
Ⓑ Overall width of cavity*	1220
Ⓒ Minimum overall depth (shallow) of cavity when services are located outside of cavity**	635
Minimum overall depth (deep) of cavity when services are located at rear of cavity**	650
Ⓓ Width of supply area behind individual fridge/freezer	610
Ⓔ Height of supply area	229
Ⓕ Height of sides of supply area	127
Ⓖ Width of notch in supply area	13
Ⓗ Combined width in from side of supply areas	25
Ⓘ Depth of supply areas	25
Minimum door cabinetry gap clearance	3

Custom Panel Dimensions***	mm
Ⓙ Height of fridge door panel RS6121WRUK1	1254
Ⓚ Height of freezer drawer panel RS6121WRUK1	721 - 822
Ⓛ Gap between door and drawer panel	3
Ⓜ Height of fridge door panel RS6121SL	1979-2079
Ⓝ Depth of door panels	min 16 max 25
Ⓞ Width of door panel - single install	603
Width of door panel - dual install	605
Ⓟ Width of custom toe kick panel****	1216
Ⓠ Height of custom toe kick panel****	50 - 152
Maximum weight of fridge door panel RS6121WRUK1	max 15.5kg
Maximum weight of freezer drawer panel RS6121WRUK1	max 9.5kg
Maximum weight of fridge door panel RS6121SL	max 25kg

* Columns attach directly together. No cavity divider is necessary (unless arranging hinge to hinge).

**Assumes a door panel depth of 19mm.

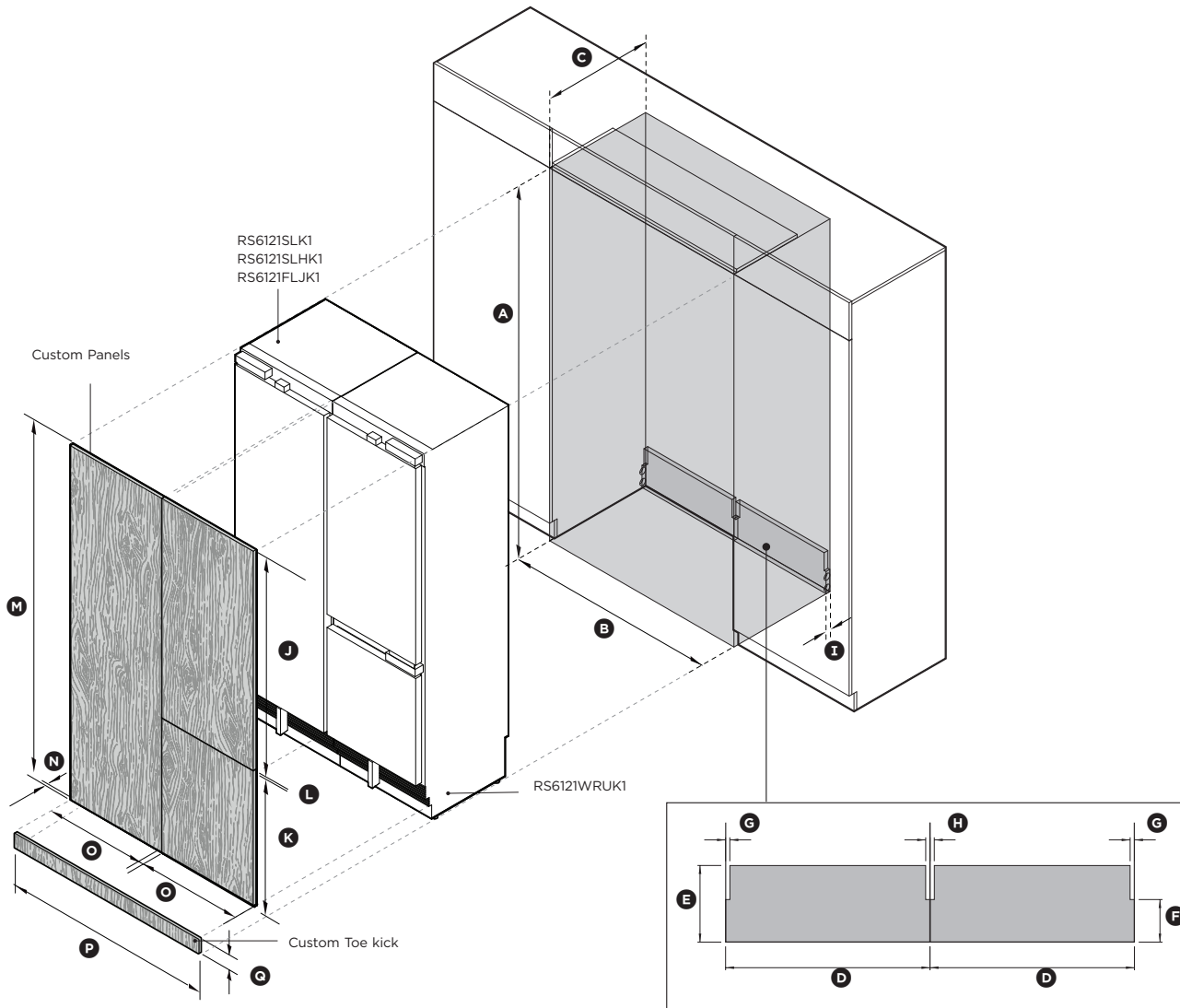
Connections may be located in an adjacent cabinet to either side of the fridge.

*** Custom panels to be manufactured & fitted by cabinetmaker.

**** Optional 100mm tall stainless steel toe kick panel for dual installation is available. Alternatively, a custom built toe kick (H 50mm-152mm x W 1216mm) may be fitted as shown. Adjust the height of the door panel accordingly.

DATE: 24/3/2022

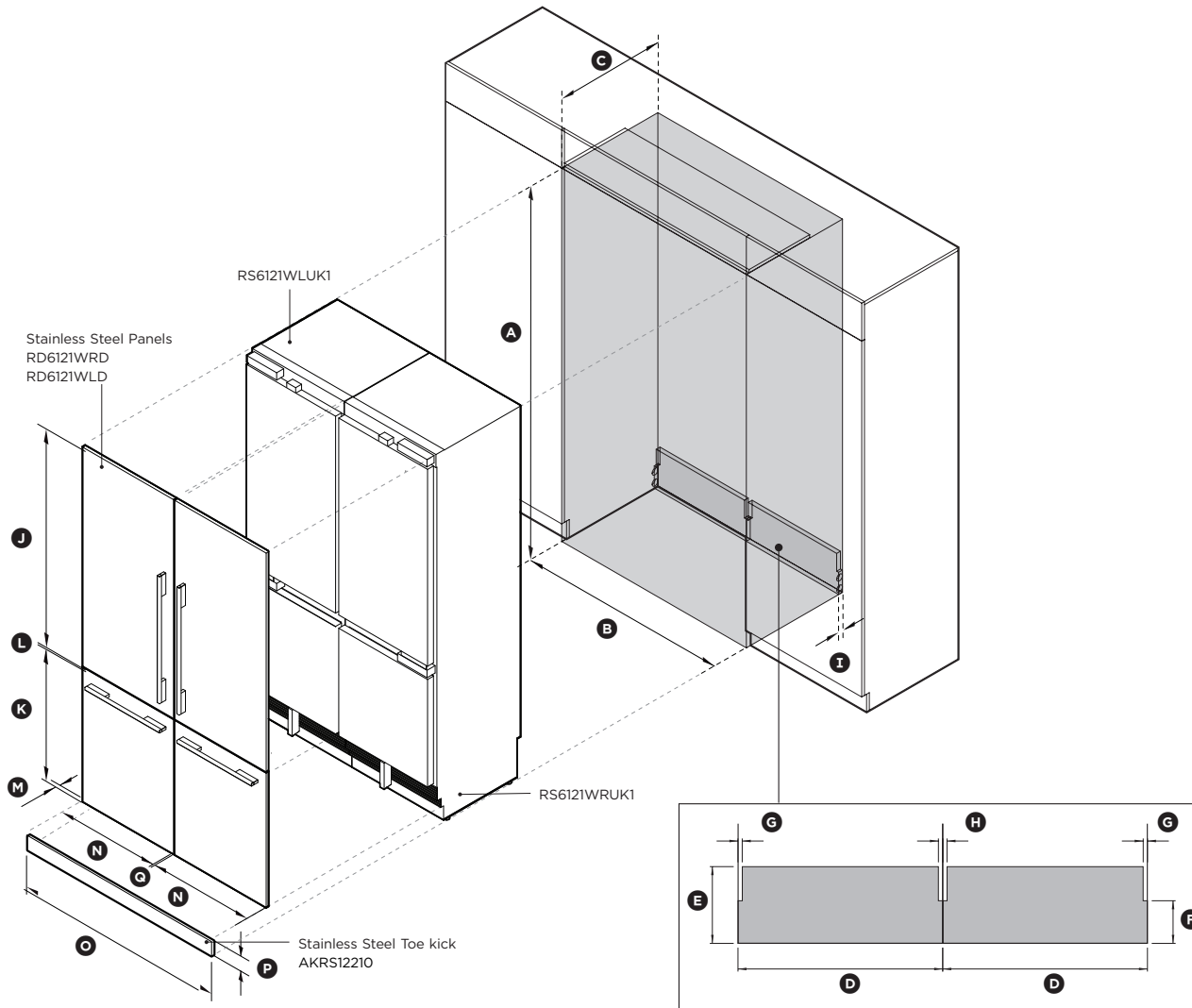
IMPORTANT NOTE: Throughout this guide, dimensions may vary by $\pm 2\text{mm}$ (1/16"). Please read the installation manual for detailed information on installing the product. For full installation instructions & specifications visit fisherpaykel.com



SUPPLY AREA

FISHER & PAYKEL

MULTIPLE INSTALLATION - STAINLESS STEEL DOOR PANELS 610mm Integrated Column Fridge/Freezer Right & Left hand hinge with Stainless Steel Door Panels



SUPPLY AREA

Model nos:

RS6121WRUK1, Door Panel RD6121WRD
RS6121WLUK1, Door Panel RD6121WLD
Stainless Steel Toe kick dual installation AKRS12210

IMPORTANT!

For ease of installation, ensure cavity has consistent dimensions top to bottom and left to right.

Clearance Dimensions	mm
Ⓐ Overall height of cavity	2134
Ⓑ Overall width of cavity*	1220
Ⓒ Minimum overall depth (shallow) of cavity when services are located outside of cavity** Minimum overall depth (deep) of cavity when services are located at rear of cavity**	635 650
Ⓓ Width of supply area behind individual fridge/freezer	610
Ⓔ Height of supply area	229
Ⓕ Height of sides of supply area	127
Ⓖ Width of notch in supply area	13
Ⓗ Combined width in from side of supply areas	25
Ⓘ Depth of supply areas	25
Minimum door cabinetry gap clearance	3

Stainless Steel Panel Dimensions	mm
Ⓙ Height of fridge door panel	1254
Ⓚ Height of freezer drawer panel	772
Ⓛ Gap between door and drawer panel	3
Ⓜ Depth of door panel	19
Ⓝ Width of door panel	603
Ⓞ Width of toe kick panel	1216
Ⓟ Height of toe kick panel	102
Ⓠ Gap between the center of the door panel (min. 4mm gap can be achieved by equalizing the door panels during installation)	6

* Columns refrigerators & freezers attach directly together. No cavity divider is necessary (unless arranging hinge to hinge).

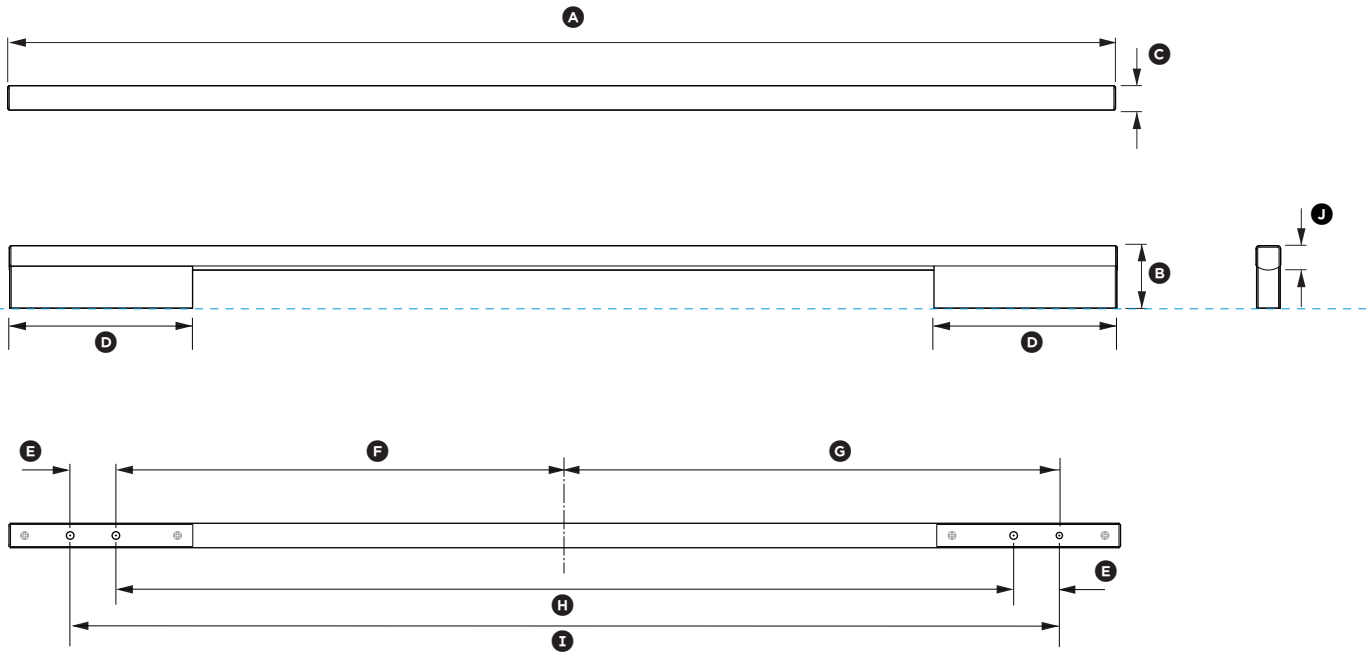
** With cavity at minimum depth, electrical and water connections must be within the supply area shown if located behind the appliance, and must not protrude from the back wall.

Connections may be located in an adjacent cabinet to either side of the fridge.
HANDLES: Handle Kits are sold separately.
Shown with handle kit ADH3RD6121W. Other handle styles available.

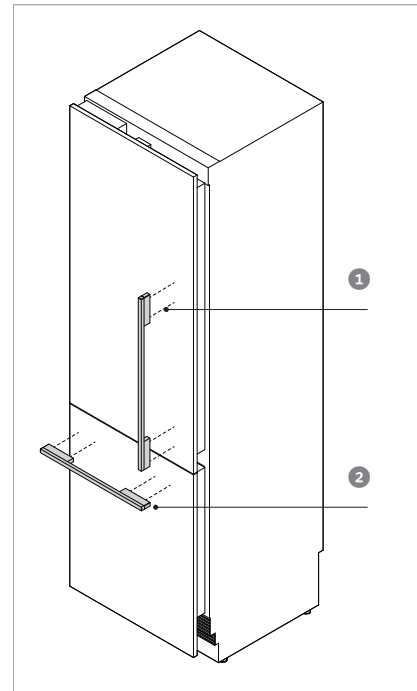
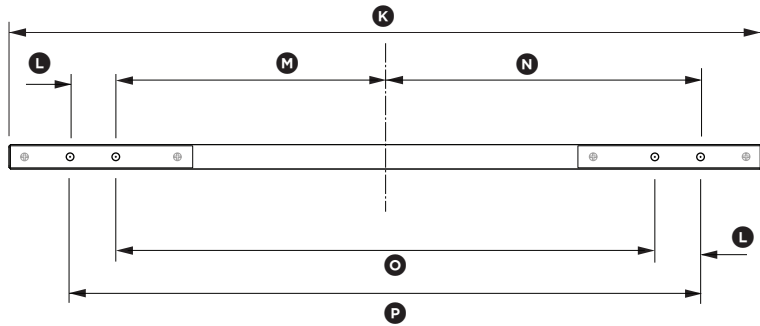
DATE: 24/3/2022

IMPORTANT NOTE: Throughout this guide, dimensions may vary by ±2mm (1/16"). Please read the installation manual for detailed information on installing the product. For full installation instructions & specifications visit fisherpaykel.com

1 VERTICAL HANDLE



2 HORIZONTAL HANDLE



FISHER & PAYKEL

HANDLE DATA SHEET Square Aluminium Handle RS6121W

Model no:

Square Aluminium Handle AHD3RD6121W

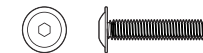
For Models:

RS6121WRUK1 & RS6121WLUK1

1 Vertical Handle Dimensions *	mm
Ⓐ Overall length of handle	727
Ⓑ Overall height of handle	41
Ⓒ Overall width of handle	16
Ⓓ Length of off-stand	120
Ⓔ Distance between attachment holes between each off-stand	30
Ⓕ Distance from centerline to inner attachment holes	293.5
Ⓖ Distance from centerline to outer attachment holes	323.5
Ⓗ Distance between inner attachment holes	587
Ⓘ Distance between outer attachment holes	647
⓵ Thickness of handle rail	16

2 Horizontal Handle Dimensions *	mm
Ⓒ Overall width of handle	494
Ⓙ Distance between attachment holes between each off-stand	30
Ⓛ Distance from centerline to inner attachment holes	176.5
Ⓜ Distance from centerline to outer attachment holes	207
Ⓝ Distance between inner attachment holes	353
Ⓞ Distance between outer attachment holes	414

*All the dimensions are the same for the vertical and horizontal handles, except for the handle length and the mounting hole distance.



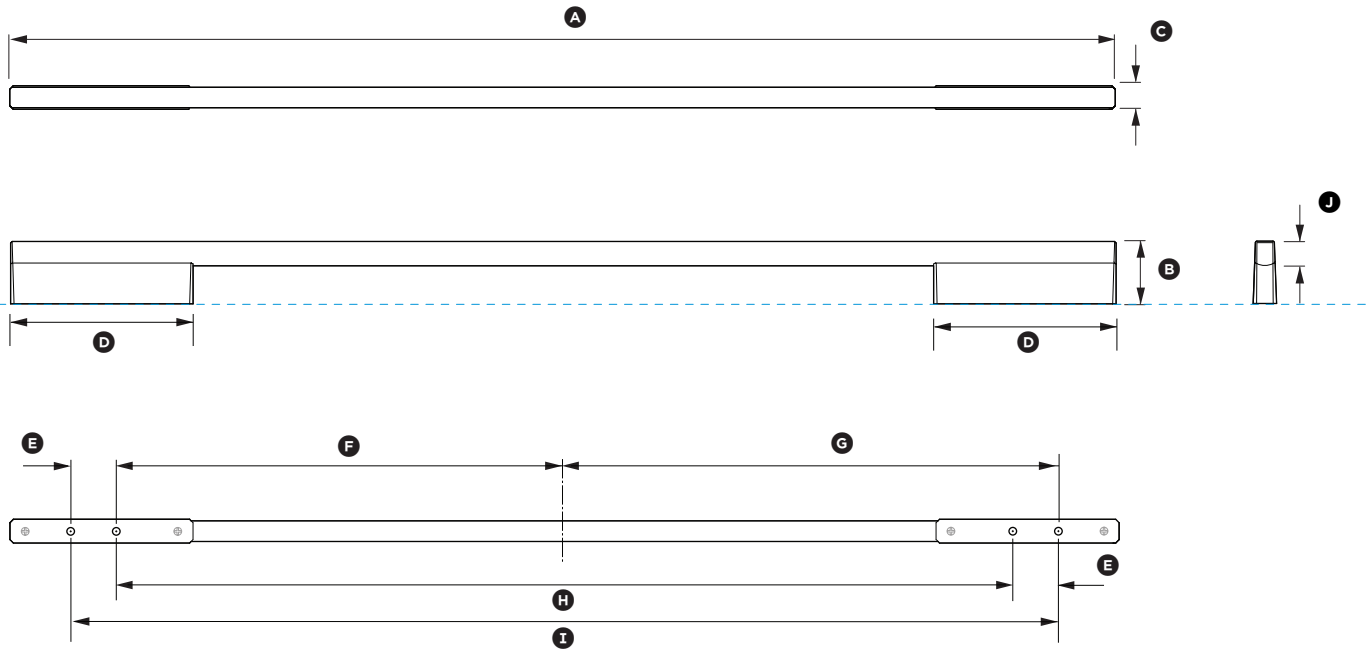
M5 X 25mm Pan Head Socket Screw
(4 per handle)
Suits standard 19mm panel. Thicker panels may require counterboring or longer screws.

INDICATES PRODUCT DATUM

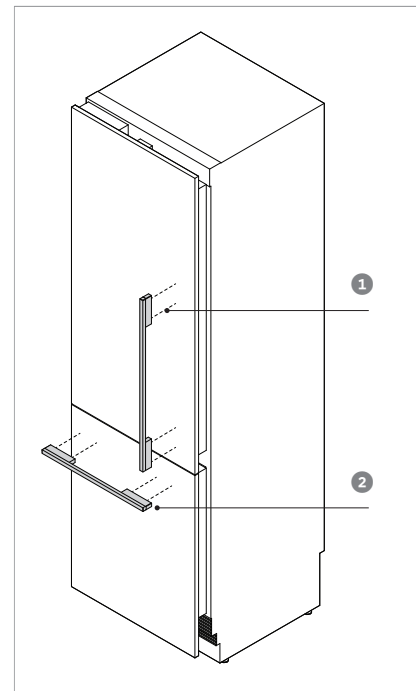
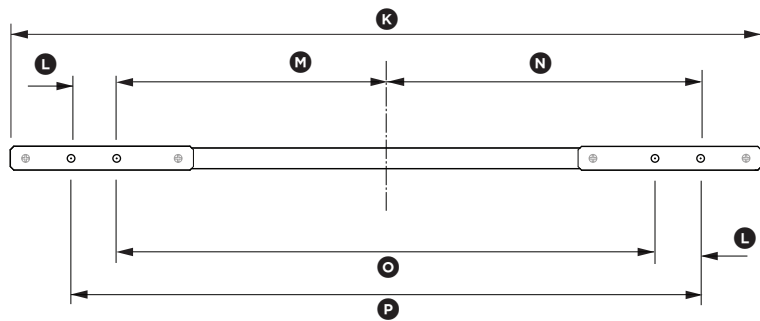
DATE: 24/3/2022

IMPORTANT NOTE: Throughout this guide, dimensions may vary by $\pm 2\text{mm}$ (1/16"). Please read the installation manual for detailed information on installing the product. For full installation instructions & specifications visit fisherpaykel.com

1 VERTICAL HANDLE



2 HORIZONTAL HANDLE



FISHER & PAYKEL

HANDLE DATA SHEET Square Fine Aluminium Handle RS6121W

Model nos:

Square Fine Aluminium Handle AHD5RD6121W
Black Square Fine Aluminium Handle AHD5RD6121WB

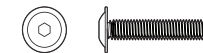
For Models:

RS6121WRUK1 & RS6121WLUK1

1 Vertical Handle Dimensions *	mm
Ⓐ Overall length of handle	727
Ⓑ Overall height of handle	41
Ⓒ Overall width of handle	15
Ⓓ Length of off-stand	120
Ⓔ Distance between attachment holes between each off-stand	30
Ⓕ Distance from centerline to inner attachment holes	293.5
Ⓖ Distance from centerline to outer attachment holes	323.5
Ⓗ Distance between inner attachment holes	587
Ⓘ Distance between outer attachment holes	647
⓵ Thickness of handle rail	16

2 Horizontal Handle Dimensions *	mm
Ⓒ Overall width of handle	494
Ⓙ Distance between attachment holes between each off-stand	30
Ⓚ Distance from centerline to inner attachment holes	176.5
Ⓛ Distance from centerline to outer attachment holes	207
Ⓜ Distance between inner attachment holes	353
Ⓝ Distance between outer attachment holes	414

*All the dimensions are the same for the vertical and horizontal handles, except for the handle length and the mounting hole distance.



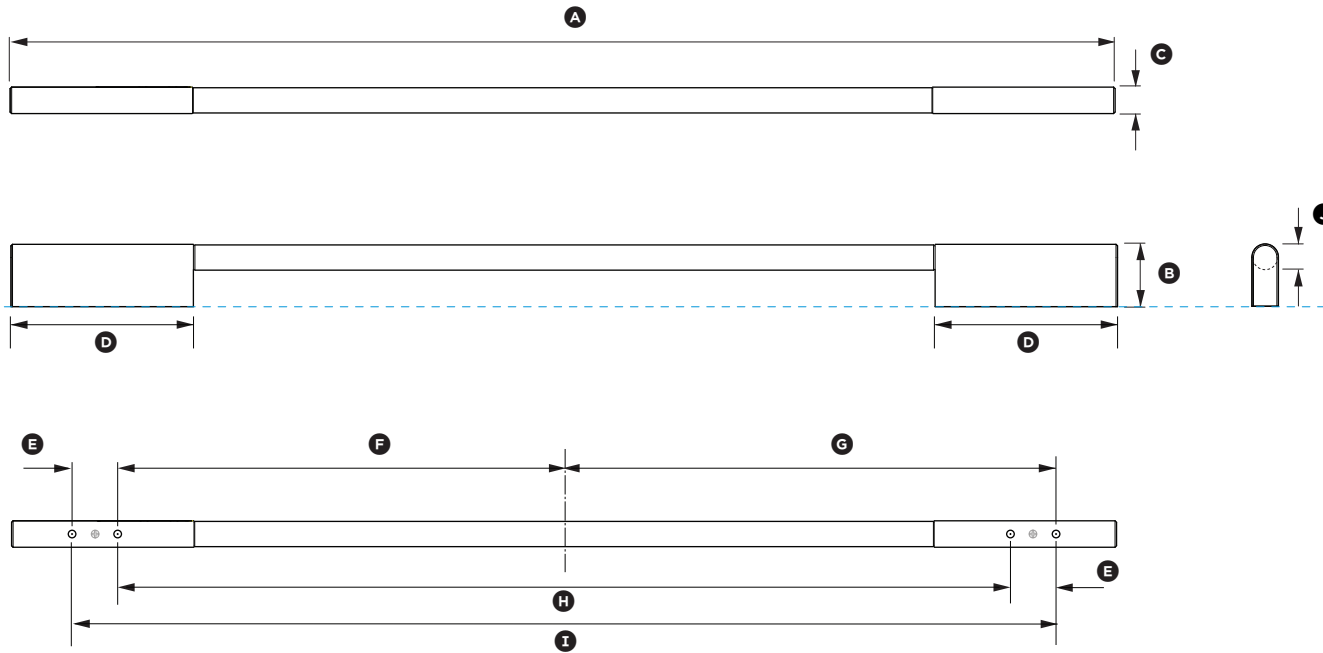
M5 X 25mm Pan Head Socket Screw
(4 per handle)
Suits standard 19mm panel. Thicker panels may require counterboring or longer screws.

INDICATES PRODUCT DATUM

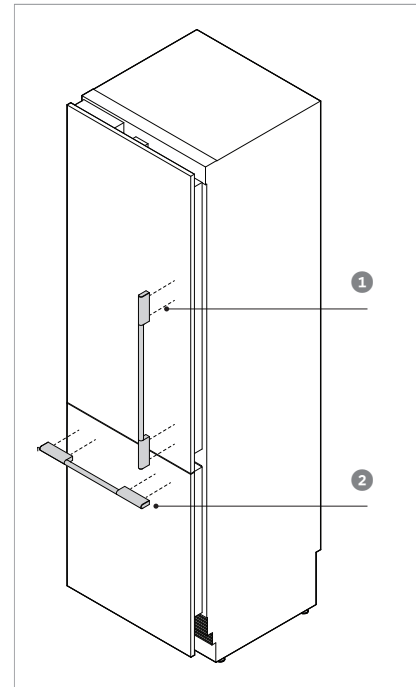
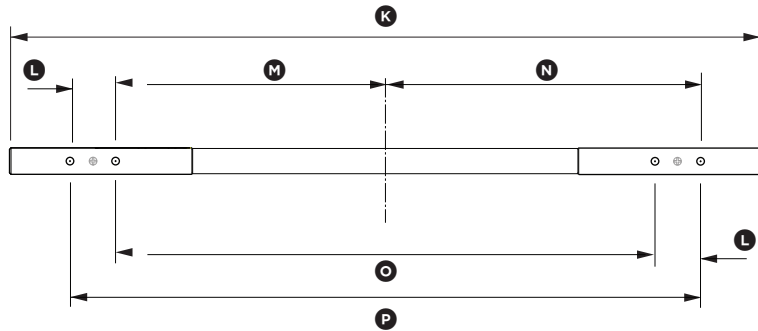
DATE: 24/3/2022

IMPORTANT NOTE: Throughout this guide, dimensions may vary by $\pm 2\text{mm}$ (1/16"). Please read the installation manual for detailed information on installing the product. For full installation instructions & specifications visit fisherpaykel.com

1 VERTICAL HANDLE



2 HORIZONTAL HANDLE



FISHER & PAYKEL

HANDLE DATA SHEET Round Aluminium Handle

Model no:

Round Aluminium Handle AHDSRD6121W

For Models:

RS6121WRUK1 & RS6121WLUK1

1 Vertical Handle Dimensions *	mm
Ⓐ Overall length of handle	727
Ⓑ Overall height of handle	41
Ⓒ Overall width of handle	15
Ⓓ Length of off-stand	120
Ⓔ Distance between attachment holes between each off-stand	30
Ⓕ Distance from centerline to inner attachment holes	293.5
Ⓖ Distance from centerline to outer attachment holes	323.5
Ⓗ Distance between inner attachment holes	587
Ⓘ Distance between outer attachment holes	647
⓵ Thickness of handle rail	17

2 Horizontal Handle Dimensions *	mm
⓪ Overall width of handle	494
⓫ Distance between attachment holes between each off-stand	30
Ⓛ Distance from centerline to inner attachment holes	176.5
Ⓜ Distance from centerline to outer attachment holes	207
Ⓨ Distance between inner attachment holes	353
Ⓩ Distance between outer attachment holes	414

*All the dimensions are the same for the vertical and horizontal handles, except for the handle length and the mounting hole distance.



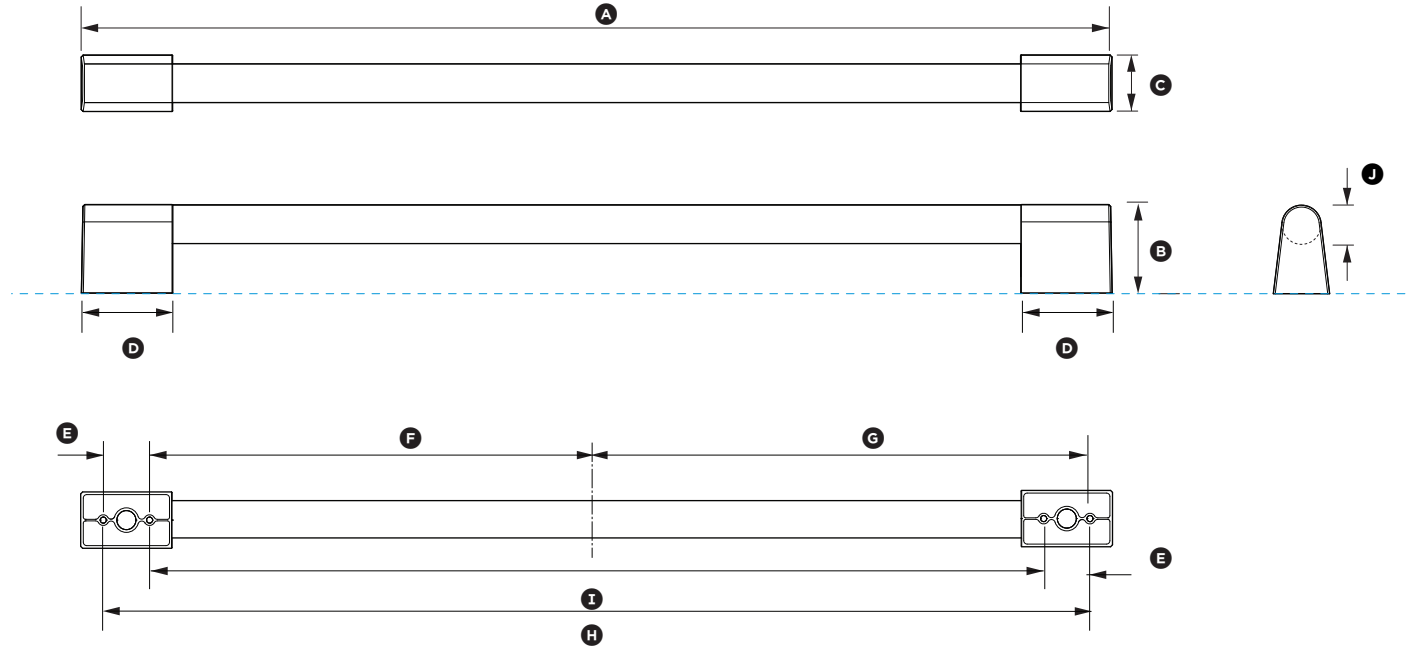
M5 X 25mm Pan Head Socket Screw
(4 per handle)
Suits standard 19mm panel. Thicker panels may require counterboring or longer screws.

INDICATES PRODUCT DATUM

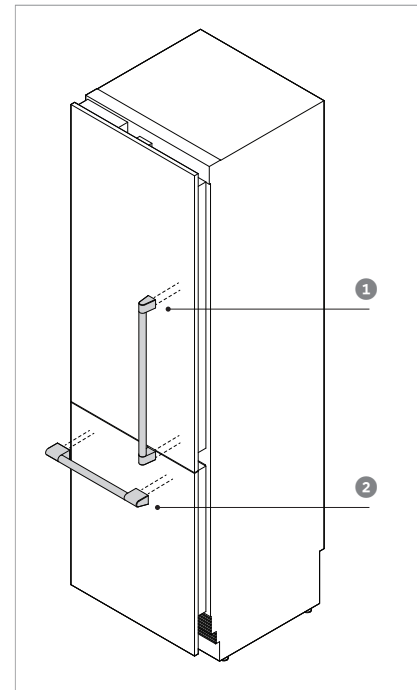
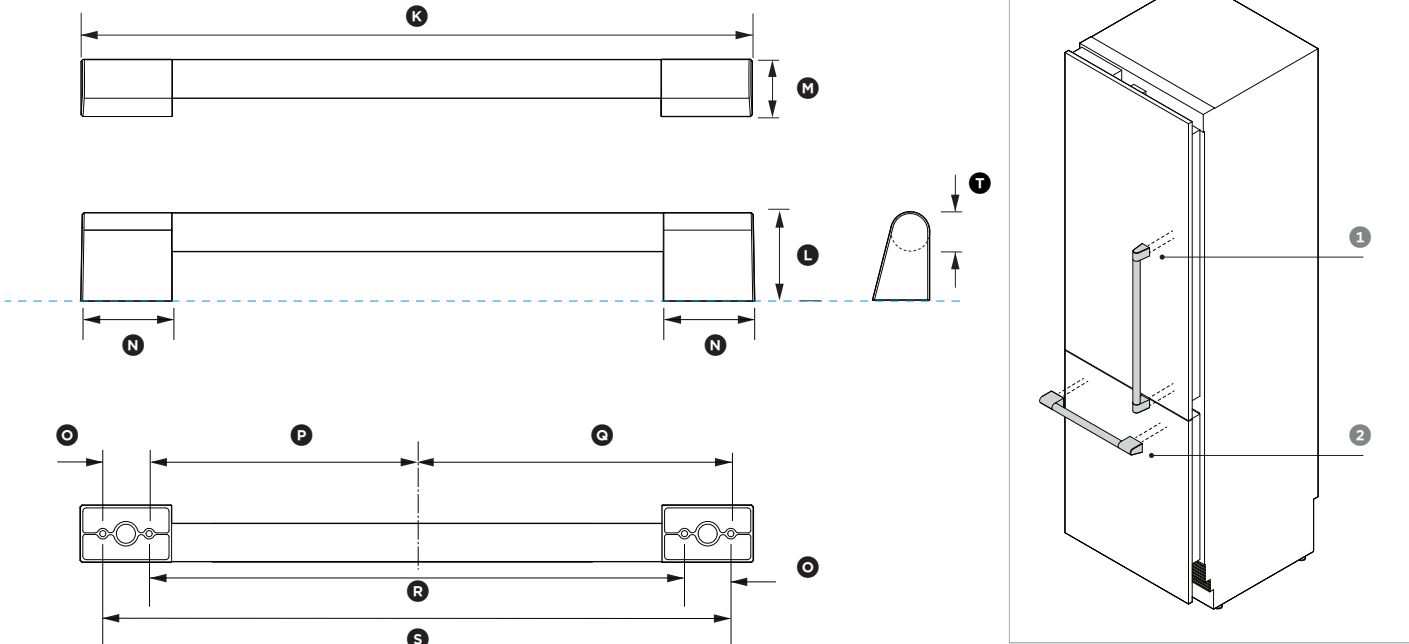
DATE: 24/3/2022

IMPORTANT NOTE: Throughout this guide, dimensions may vary by $\pm 2\text{mm}$ (1/16"). Please read the installation manual for detailed information on installing the product. For full installation instructions & specifications visit fisherpaykel.com

1 VERTICAL HANDLE



2 HORIZONTAL HANDLE



FISHER & PAYKEL

HANDLE DATA SHEET Professional Flush Handle

Model no:
Professional Flush Handle AHP3RD6121W

For Models:
RS6121WRUK1 & RS6121WLUK1

① Vertical Handle Dimensions *	mm
Ⓐ Overall length of handle	677
Ⓑ Overall height of handle	58
Ⓒ Overall width of handle	37
Ⓓ Length of off-stand	60
Ⓔ Distance between attachment holes between each off-stand	30
Ⓕ Distance from centerline to inner attachment holes	293.5
Ⓖ Distance from centerline to outer attachment holes	323.5
Ⓖ Distance between inner attachment holes	587
Ⓗ Distance between outer attachment holes	647
Ⓙ Thickness of handle rail	25

② Horizontal Handle Dimensions *	mm
Ⓐ Overall length of handle	443
Ⓑ Overall height of handle	58
Ⓒ Overall width of handle	37
Ⓓ Length of off-stand	60
Ⓔ Distance between attachment holes between each off-stand	30
Ⓕ Distance from centerline to inner attachment holes	176.5
Ⓖ Distance from centerline to outer attachment holes	207
Ⓖ Distance between inner attachment holes	353
Ⓗ Distance between outer attachment holes	414
Ⓙ Thickness of handle rail	25



M5 X 25mm Pan Head Socket Screw
(4 per handle)
Suits standard 19mm panel. Thicker panels may require counterboring or longer screws.

INDICATES PRODUCT DATUM

DATE: 24/3/2022

IMPORTANT NOTE: Throughout this guide, dimensions may vary by $\pm 2\text{mm}$ (1/16"). Please read the installation manual for detailed information on installing the product. For full installation instructions & specifications visit fisherpaykel.com

FISHER & PAYKEL