

Induction Range, 36", 5 Zones with SmartZone, Self-cleaning

Series 9 | Contemporary

Stainless Steel



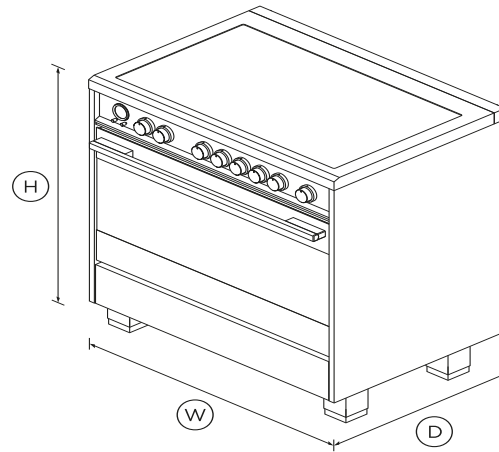
With large oven and cooktops that can be paired to create an expansive cook zone, this is a range made for those who love to cook.

- Five induction cooking zones, which can be joined to form SmartZones
- Convection oven with 4.9 cu.ft total capacity, nine oven functions including Roast, Aero Pastry™ with pizza mode and rapid proof for baking bread
- Non-tip full-extension shelves for safe removal of hot dishes

- High-temperature self-cleaning function breaks down food residue for an easy clean

DIMENSIONS

Height	35 3/4 - 37 1/4"
Width	35 7/8"
Depth	25 1/4"



FEATURES & BENEFITS

Multi-shelf cooking

Our AeroTech™ system circulates air evenly throughout the entire oven so dishes on the top shelf turn out just as perfect as food cooking on the bottom shelf.

Quality and durability

Every detail has been carefully crafted. The solid, perfectly

balanced soft-close door, durable cooktop and glowing halo dials all add up to an exceptional, premium range.

Power & control

Instant and immediate control from the highest to the gentlest heat. The finely tuned cooktop controls let you sear, stir fry or simmer a delicate sauce to perfection.

Easy to clean

Cleaning up spills is effortless. Your cooktop simply needs a quick wipe to keep it looking good as new. The self-clean function breaks down food residue at a very high temperature, leaving a light ash that's easily removed with a damp cloth.

Even heat

Accurate, electronically-controlled oven heat ensures a great result every time.

Large capacity oven

The generous 4.9 cu.ft total capacity oven gives you plenty of space to cook multiple dishes at once, with enough room to fit a 32 lb turkey.

SPECIFICATIONS

Accessories

2-pc grill system (Broil pan and	•
Broil pan	•
Broil rack	•
Full Extension Telescopic	2 sets (part 578744)
Kick strip, stainless steel	Part 81659

Capacity

Shelf positions	7
Total capacity	4.9cu ft

Cleaning

Acid resistant graphite enamel	•	Full extension telescopic	•
Drop down broil element	•	Internal light	4 x 25W halogen (2 side & 2
Drop down grill element	•	Soft open/close door	•
Flat easy clean glass surface	•	True convection	•
Pyrolytic proof shelf runners	•	Turned stainless steel clock	•
Pyrolytic self-clean	•	Twin cavity fans	•
Removable oven door	•	Warming drawer	•
Removable shelf runners	•		

Oven functions

Controls		Aero Bake	•
Audio feedback	•	Aero Broil	•
Automatic cooking/minute	•	Aero™ Pastry with Pizza mode	•
Automatic pre-set	•	Bake	•
Celsius/Fahrenheit	•	Broil	•
Electronic capacitive touch	•	Number of functions	9
Electronic clock	•	Rapid proof	•
High resolution display	•	Roast	•
Laser etched graphics	•	Self-clean function	•
Precise electronic temperature	•	True Aero	•
Sabbath mode	•	True convection	•
Toughened fused glass	•		
Turned stainless steel clock	•		
Turned stainless steel clock	•		
Turned stainless steel dials	•		

Oven performance

Broil	4300 BTU
Combined warming/Storage	220W
CoolTouch door	Quadruple glazed
Warming drawer power	220W

Power requirements

Amperage	65A
Supply frequency	60Hz

Product dimensions

Depth	25 1/4"
Height	35 3/4 - 37 1/4"
Width	35 7/8"

Rangetop features

Auto heat reduce	•
Dual zones	•
Gentle heat	•
Heat settings	9
Hob rear trim	3 1/8 (part 81654)"
Induction cooking technology	•
SmartZone	•
Zone bridging	•

Rangetop Performance

Centre	5500W
Left front	3700W
Left rear	3700W
Number of cooking zones	5
PowerBoost	•

Safety

Advanced cooling system	•
Anti-tilt bracket	•
Balanced oven door	•
Catalytic venting system	•
Child lock	•
Full extension telescopic	2 sets (part 578744)

- Full extension telescopic •
- Non-tip shelves •
- Pan detection system •
- Safety time out •
- Spill containment **38 BTU**
- Spillage auto off •
- Surface hot indicators •

SKU 81310

TEST The product dimensions and specifications in this page apply to the specific product and model. Under our policy of continuous improvement, these dimensions and specifications may change at any time. You should therefore check with Fisher & Paykel's Customer Care Centre to ensure this page correctly describes the model currently available. ? Fisher & Paykel Appliances Ltd 2020

Other product downloads available at fisherpaykel.com

- [↓](#) User Guide
- [↓](#) Installation Guide
- [↓](#) Installation Guide



A PEACE OF MIND SALE

24 Hours 7 Days a Week Customer Support

T 1.888.936.7872 W www.fisherpaykel.com