

FISHER & PAYKEL

PRELIMINARY SPECIFICATION GUIDE

CONVECTION SPEED OVEN, 24"



OVERVIEW

The perfect addition to the kitchen, this Convection Speed Oven provides a variety of fast cooking options including True Convection and Broil.

MODELS

Convection Speed Oven, 24", Black with stainless steel
OM24NDB1

Trim Kit, 30", Black with stainless steel
TK30NDB1

SERIES & STYLE

Series 9
Contemporary Style

MODELS

Convection Speed Oven, 24", Black
OM24NDBB1

Trim Kit, 30", Black
TK30NDBB1

SERIES & STYLE

Series 9
Minimal Style

FEATURES

- ① Choice of stainless steel or elegant black trim
- ② Install in multiple configurations to suit your kitchen design
- ③ Optional 30" trim kit allows seamless vertical configuration when paired with a Fisher & Paykel 30" Oven
- ④ Intuitive touch display with capacitive touch controls
- ⑤ Six cooking modes and size microwave levels. 900W microwave power, 1500W fan element power.
- ⑥ CoolTouch door protecting your hands and the surrounding cabinetry
- ⑦ Easy to clean stainless steel interior
- ⑧ 1.3 cu ft total capacity
- ⑨ Full width broil function with 1500W power
- ⑩ Automatic cooking allows you to program in desired cooking mode and duration

ACCESSORIES

- ① Optional 30" trim kit
- ② Baking pan and wire shelf
- ③ Turntable wire stand
- ④ Glass turntable

FISHER & PAYKEL

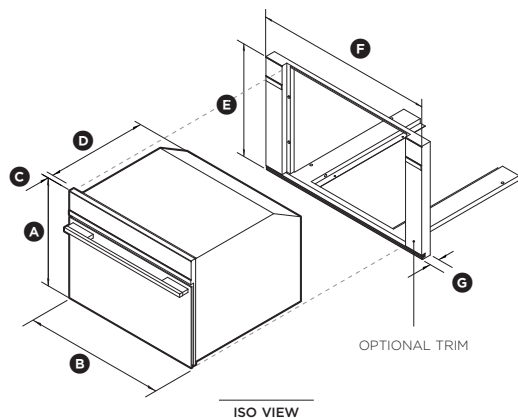
PRELIMINARY SPECIFICATION GUIDE

CONVECTION SPEED OVEN, 24"

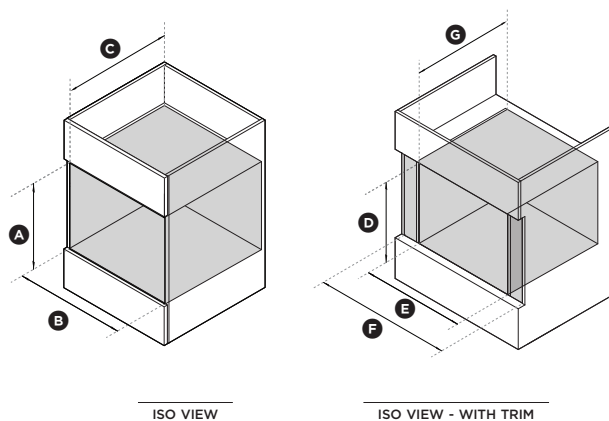
SPECIFICATIONS

Model No.	OM24NDB1 (Optional 30" Trim Kit TK30NDB1) OM24NDBB1 (Optional 30" Trim Kit TK30NDBB1)
Dimensions	H 18 1/16" (458mm) x W 23 1/2" (596mm) x D 22 1/8" (562mm)
Total capacity	1.3 cu ft (37L)
Weight	38kg (84lb)
Electrical	
Supply	120V / 208V - 120V / 240V 60Hz
Service	15 Amp circuit
Receptacle	Hard wired

PRODUCT DIMENSIONS



CAVITY DIMENSIONS: STANDARD INSTALLATION



		in	mm
(A)	Overall height of speed oven	18 1/6	458
(B)	Overall width of speed oven	23 1/2	596
(C)	Depth of speed oven front and control panel	7/8	22
(D)	Depth of speed oven chassis	21 1/4	540
(E)	Height of optional trim	18 13/16	478
(F)	Width of optional trim	29 13/16	757
(G)	Depth of optional trim front	1 5/8	42

		in	mm
(A)	Height of cavity	17 3/4	450
(B)	Minimum inside width of cavity	22 1/6	560
(C)	Minimum inside depth of cavity	22 1/6	560
(D)	Height of cavity with trim	28 15/16	480
(E)	Minimum inside width of cavity with trim	30	761
(F)	Width needed to include trim within cabinetry	22 1/16	560
(G)	Minimum inside depth of cavity with trim - proud install	22 1/16	560
	Minimum inside depth of cavity with trim - flush install	23 5/6	600

Note: Ventilation required at the rear of the cavity.