

# 569L Series 7 French Door Refrigerator Freezer, Ice & Water

Contemporary

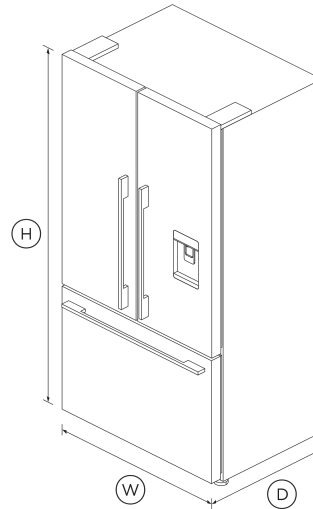


With its large capacity you'll have plenty of flexible storage space in this striking French Door refrigerator freezer.

- ActiveSmart™ technology to help keep food fresher for longer by stopping temperature fluctuation
- Door water dispenser and internal ice maker
- Spacious bottom freezer with full extension drawer gives easy access to frozen goods.

## DIMENSIONS

Height	1790 mm
Width	900 mm
Depth	695 mm



## FEATURES & BENEFITS

### ACTIVESMART™ FOODCARE

Every time you open your refrigerator, the temperature around your food changes. ActiveSmart™ foodcare adjusts airflow to create a stable temperature, helping your food stay fresher for longer.

### Water dispenser

The slimline dispenser makes it easy to fill almost any sized jug or vessel with cool filtered water without taking up any storage space in your fridge.

### Ice Maker

Fresh ice is always available for you in a dedicated freezer bin. Simply turn it off to free up freezer space, or during busy times you can boost ice production by up to 30%.

### Design quality

Our refrigerators are designed and built using quality materials. We use real stainless steel on our refrigerators, hidden hinges and solid glass for shelving.

### Easy cleaning

No more permanent dirty marks with our EZKleen feature for stainless steel fridges. Anti-fingerprint coating means you simply wipe clean any marks. Spill-safe secure glass shelves easily capture any drips or leaks.

### Clever energy

Your refrigerator adapts to daily use by cooling and defrosting only when needed. This means your refrigerator uses the energy it needs without compromising on food care.

### HUMIDITY CONTROL

Your fruit and veges need different environments. The humidity control slides in each storage bin create a microclimate that helps keep food fresher for longer.

## SPECIFICATIONS

### Accessories (sold separately)

Water filter replacement	847200 - FWC3
--------------------------	---------------

### Capacity

Total net volume	569L
Volume freezer	152 L
Volume refrigerator	417 L

**Connected Features**

- Alerts and notifications •
- Education and onboarding •
- Remote operation •
- Software updates •

- Bottle chill •
- Door alarm •
- Fast freeze •
- Ice bin and scoop •
- Ice Boost •
- Ice trays 1

SKU 26685

The product dimensions and specifications in this page apply to the specific product and model. Under our policy of continuous improvement, these dimensions and specifications may change at any time. You should therefore check with Fisher & Paykel's Customer Care Centre to ensure this page correctly describes the model currently available. © Fisher & Paykel Appliances Ltd 2020

**Consumption**

Energy rating	<b>E</b>
Energy usage	<b>297kWh/year</b>
In-use energy carbon emissions estimate	<b>57.6kgCO2e/year</b>

**Performance**

- ActiveSmart™ Foodcare •
- Adaptive defrost •
- Frost free freezer •
- Humidity control system •
- Inverter controlled compressor •
- Noise emissions **42 dBA**
- Noise emissions class **D**
- Sabbath mode •

**Other product downloads available at fisherpaykel.com**

- [↓ Declaration of Conformity \(English\)](#)
- [↓ Declaration of Conformity \(English\)](#)
- [↓ Energy Label](#)
- [↓ Water Filter Replacement Instructions - Parts 847200 and 847201 \(English\)](#)
- [↓ Installation Guide \(English\)](#)
- [↓ Product Information Sheet](#)
- [↓ User Guide \(English\)](#)

**Features**

Adjustable door shelves	<b>6</b>
Adjustable glass shelves	<b>3</b>
Covered door shelves	<b>2</b>
Deli storage bins	<b>2</b>
Door alarm	•
Fruit and vegetable bins	<b>2</b>
LED lighting	•
Smart appliance	•
SmartTouch control panel	•
Stackable bottle holders	<b>4</b>
Ultra slim water dispenser	•
Water Filter	<b>Part number 847200</b>

**Power requirements**

Rated current	<b>10 A</b>
Supply frequency	<b>50 Hz</b>
Supply voltage	<b>230 V</b>

**Where applicable:**

All appliances use energy, and energy usage typically generates carbon emissions. **Fisher & Paykel Appliances' In-use Energy Carbon Emissions Estimate** indicates carbon emissions from a product's in-use energy. This is calculated either annually or per cycle, using the product's market-specific energy label energy consumption data multiplied by the carbon emissions factor for energy in your country or region.

**Product dimensions**

Depth	<b>695 mm</b>
Height	<b>1790 mm</b>
Width	<b>900 mm</b>

Our In-use Energy Carbon Emissions Estimate is designed to assist customers in making informed purchasing decisions when comparing different Fisher & Paykel products. For example, a heat pump dryer typically has a lower In-use Energy Carbon Emissions Estimate than a vented dryer.

**Freezer Features**

- Automatic ice maker •



**A PEACE OF MIND SALE**

24 Hours 7 Days a Week Customer Support

T 08000 886 605 [Wwww.fisherpaykel.com](http://www.fisherpaykel.com)