

Double DishDrawer™ Dishwasher, Sanitise

Series 7 | Contemporary

Stainless Steel

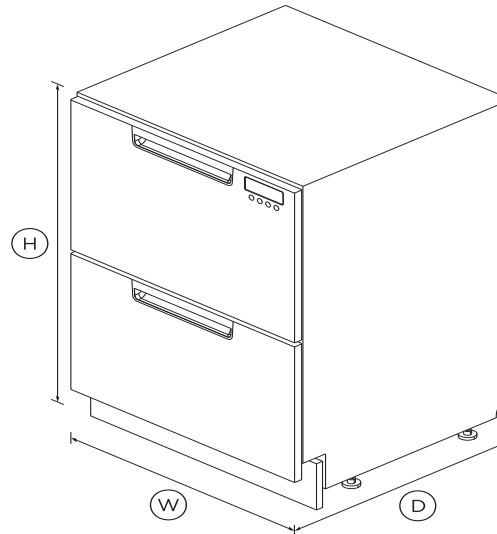


Wash one drawer while you load the other, with minimal bending. Or wash both at once, with room in each drawer for full size dinner plates.

- Six wash programs, as well as additional Quick wash, Sanitise and Extra Dry options
- Flexible racking allows you to customise internal shelves to suit your needs

DIMENSIONS

Height	820 - 880mm
Width	599mm
Depth	573mm



FEATURES & BENEFITS

Ease Of Use

DishDrawer™ Dishwashers are as easy to open and close as kitchen drawers and can be conveniently positioned at bench height for ease of loading and minimal bending. Flexible racking allows you to make adjustments to fit in a variety of dishes.

True half load

Each drawer holds a true half load for guilt-free small washes and fast turnaround of your dishes. Both drawers operate independently so different wash cycles can operate

simultaneously to accommodate a variety of loads.

Independent wash

With the ability to use both drawers independently and select different wash programs the DishDrawer™ Dishwasher can wash everything from fine glass and crystal to heavily soiled pots and pans.

Quick, Sanitise and Extra Dry options

The Quick wash modifier delivers a faster wash while maintaining performance. The Sanitise option provides extra protection killing 99.9% of bacteria in the final rinse. The Extra Dry setting is perfect for plastic dishes.

Designed to match

DishDrawer™ Dishwashers are designed to match the Fisher & Paykel family of kitchen appliances, with matching handles, premium styling and quality materials for a stylish finish in your kitchen.

Quiet performer

The combination of intelligent technology and simple mechanics means more space for your dishes, greater reliability and excellent wash performance.

SPECIFICATIONS

Accessories

- Cutlery basket
- Kickstrip
- Knife clip and multipurpose

Capacity and loading

- | | |
|-----------------------------|-------|
| Accommodates round plates | 280mm |
| Adjustable height, foldable | • |
| Fold down tines | • |
| Pitch adjustable tines | • |

Place settings	12
Place settings per drawer	6

Supply frequency	50Hz
Supply voltage	220 - 240V

SKU	81627
-----	-------

Consumption

Energy rating	E
Energy usage	54kWh/100 cycles per drawer
Water usage (per wash cycle)	7.8L per drawer

Product dimensions

Depth	573mm
Height	820 - 880mm
Width	599mm

The product dimensions and specifications in this page apply to the specific product and model. Under our policy of continuous improvement, these dimensions and specifications may change at any time. You should therefore check with Fisher & Paykel's Customer Care Centre to ensure this page correctly describes the model currently available. ? Fisher & Paykel Appliances Ltd 2020

Controls

- Electronic fault/Diagnostic •
- End of cycle beeps •
- Energy saving delay start •
- Keylock •
- Rinse aid indicator light •
- Wi-Fi connectivity •

Warranty

Parts and labour	2 years
------------------	---------

Wash Program Modifiers

- Extra Dry •
 - Quick •
 - Sanitise •
- | | |
|----------------|---|
| Wash modifiers | 3 |
|----------------|---|

Features

- Built-in water softener •
- Fan assisted drying •
- Flood protection •
- Flow through detergent •
- Motor type BLDC
- Quiet operation •
- SmartDrive™ technology •

Wash Programs

- Delicate •
 - Eco •
 - Fast •
 - Heavy •
 - Medium •
 - Rinse •
- | | |
|---------------|---|
| Wash programs | 6 |
|---------------|---|

Performance

Noise on standard cycle top	42dBA
-----------------------------	-------

Water connection

Water pressure	100kPa - 1000kPa
Water supply	3/4" BSP (20mm) Connector

Power requirements

Amperage	10A
----------	-----



A PEACE OF MIND SALE

24 Hours 7 Days a Week Customer Support

T 08000886605 W www.fisherpaykel.com