

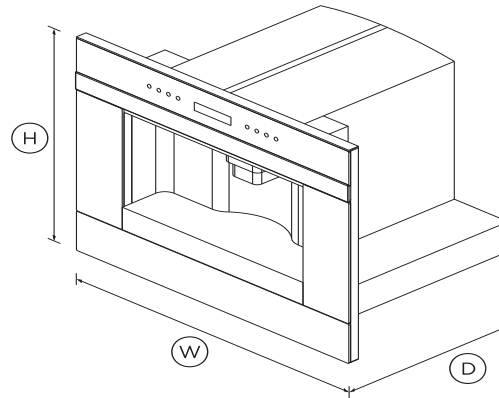
Built-in Coffee Maker, 60cm

Series 9 | Minimal

Black



Height	458mm
Width	596mm
Depth	480mm



FEATURES & BENEFITS

Sized to suit

This 60cm Built-in Coffee Maker is perfect for the compact kitchen and can be placed virtually anywhere. Companion products share standard dimensions and can be installed in multiple configurations to suit your kitchen design and preference.

COFFEE CHOICE

Your Coffee Maker has 13 different choices to suit your taste and selection - from Espresso to Latte.

Barista-style coffee

The conical burr grinder delivers a consistent grind for the

perfect coffee. Set it to suit your preference.

Self-cleaning

The Coffee Maker has a self-cleaning function and comes with a removable drip tray and a waste container for used coffee grounds.

Personalise Your Cup

Program your Coffee Maker to start up at the same time every day and make your favourite coffee.

Beauty of choice

With the choice of a stylish stainless steel or elegant black trim, our companion products help you achieve a coherent kitchen aesthetic that suits your design style.

SPECIFICATIONS

Accessories

- Coffee spoon
- Descaling agent bottle
- Extractable steam outlet
- Water Filter

Accessories (sold separately)

Matching Trim Kit	Optional 76cm trim kit Part
Optional lower trim kit	Part 81662 (478mm)

Capacity

Grounds container capacity	14 cups of coffee
Number of cups	1 or 2
Water tank capacity	2.5L

Cleaning

Our built-in coffee maker pours a delicious coffee, however you take it. Pairs perfectly with 60cm ovens and companion products.

- Barista-standard coffee just the way you like it, with 13 options from Flat White to Latte or Americano
- Your favourite coffee can be memorized and set to start at the same time each day, so it's ready when you are
- With self-cleaning function for an effortless clean
- Part of our suite of companion products, designed to match aesthetically for flexible configurations.

DIMENSIONS

Easy to remove coffee grinds	•	Number of functions	13
Easy to remove stainless steel	•	Personalised coffee	•
Removable drip tray with level	•	Steam	•
Self-clean function	•	Takes pre-ground coffee	•

SKU **81922**

Controls

Cleaning reminder	•
Coffee grounds full reminder	•
High resolution touch display	•
Intuitive information display	•
LED lights	4
Multi-language interface	•
Refill coffee bean reminder	•
Water tank empty indicator	•

Performance

Coffee temperatures	5 x settings
Grinder	Stainless steel conical burr
Grinding coarseness	13 positions
Heating system	Thermablock with stainless
Heating system power (coffee)	1200W
Integrated cup warmer shelf	•
Integrated storage for	•
Pump power	50
Pump pressure	15Bar

The product dimensions and specifications in this page apply to the specific product and model. Under our policy of continuous improvement, these dimensions and specifications may change at any time. You should therefore check with Fisher & Paykel's Customer Care Centre to ensure this page correctly describes the model currently available. ? Fisher & Paykel Appliances Ltd 2020

Functions

Americano	•
Cappuccino	•
Coffee	•
Coffee strength levels	5
Cup size levels	4 + manual
Double espresso	•
Espresso	•
Espresso macchiato	•
Flat white	•
Hot milk	•
Hot water	•
Latte	•
Latte macchiato	•
Long black	•

Power requirements

Amperage	10A
Supply frequency	50Hz
Supply voltage	240V

Product dimensions

Depth	480mm
Height	458mm
Width	596mm

Warranty

Parts and labour	1 year
------------------	---------------

Other product downloads available at fisherpaykel.com



User Guide



Restriction of Hazardous Substances



Service & Warranty



Installation Guide



Data Sheet Coffee Maker



A PEACE OF MIND SALE

24 Hours 7 Days a Week Customer Support

T 400 640 8777 **W**www.fisherpaykel.com