

Combination Microwave Oven, 60cm

Series 9 | Minimal

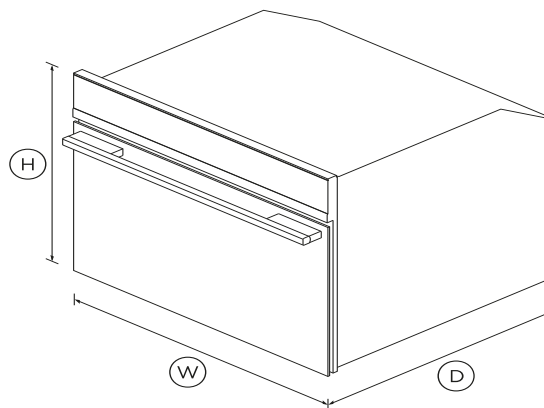
Black



A flexible appliance that pairs the speed of microwave cooking with oven technology, which can crisp and brown as it cooks.

DIMENSIONS

Height	458mm
Width	596mm
Depth	562mm



SPECIFICATIONS

Accessories

Baking pan	1
Glass turntable	1
Optional lower trim kit	Part 81622 (478mm)
Wire shelf	1

Capacity

Shelf positions	3
-----------------	---

Cleaning

- Easy clean stainless steel
- Easy to clean formed side

Consumption

Microwave energy	1.65kWh
------------------	---------

Controls

- Audio feedback
- Automatic cooking/minute
- Celsius/Fahrenheit
- Electronic capacitive touch
- High resolution touch display
- Intuitive touchscreen display
- Multi-language display **UK English, US English,**
- Precise electronic temperature

Functions

- Defrost by time
- Defrost by weight
- Fan forced
- Fan grill
- Grill
- Microwave + grill
- Microwave + ring
- Microwave cooking
- Number of functions **9**
- Ring + grill

Performance

Fan Element Power	1500W
Grill power	1500W
Microwave power	900W
Microwave power levels	6

Power requirements

Supply frequency	50Hz
Supply voltage	230V

Product dimensions

Depth	562mm
Height	458mm
Width	596mm

Safety

Control panel key lock	•
CoolTouch door	•

SKU	81946
-----	-------

Other product downloads available at fisherpaykel.com

- [↓](#) User Guide
- [↓](#) User Guide
- [↓](#) Service & Warranty
- [↓](#) Installation Guide
- [↓](#) Installation Guide - Cavity Trim Kit
- [↓](#) Data Sheet Combination Microwave Oven

**A PEACE OF MIND SALE****24 Hours 7 Days a Week Customer Support****T +65 6741 0777 W www.fisherpaykel.com**

The product dimensions and specifications in this page apply to the specific product and model. Under our policy of continuous improvement, these dimensions and specifications may change at any time. You should therefore check with Fisher & Paykel's Customer Care Centre to ensure this page correctly describes the model currently available. ? Fisher & Paykel Appliances Ltd 2020