

# Wall Rangehood, 90cm, Box Chimney

Series 7 | Contemporary

Stainless Steel and Glass

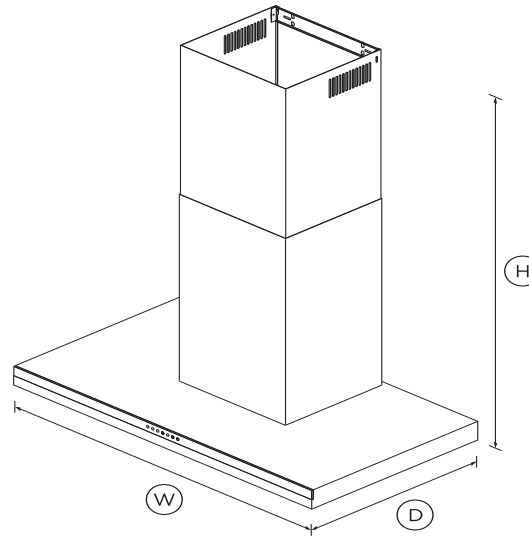


The wall chimney rangehood has contemporary styling, extracting steam, grease and cooking odours quietly and efficiently.

- With three fan speeds, select the perfect extraction rate for your cooking
- Powerful maximum air movement of 800m<sup>3</sup>/hr
- Energy-efficient LED lighting to illuminate your cooking surface

## DIMENSIONS

Height	595 - 1035mm
Width	898mm
Depth	500mm



## FEATURES & BENEFITS

### EFFECTIVE AND QUIET

This rangehood features three fan speeds, providing powerful extraction to quickly remove odours and steam. The timer keeps the rangehood working for up to 15 minutes before automatically turning off.

### SIMPLE TO USE

This Fisher & Paykel rangehood features a sleek and easy to use touch-control panel. Low energy, dimmable LED lights provide superb illumination over the entire cooking surface.

## EASY CLEANING

Designed for simple removal, the filters are easy to clean and dishwasher safe. The stainless steel mesh cover just needs a quick wipe to keep clean. An alert reminds you when to clean the filter to ensure you get the best performance out of your rangehood.

## SEAMLESS INTEGRATION

This wall chimney rangehood features sleek black glass and stainless steel styling that will complement any contemporary kitchen, and is designed to match the rest of Fisher & Paykel's kitchen appliance family.

## SPECIFICATIONS

### Accessories

Aluminium filter	791824
Chimney extension	791774
Ducting solution	•
Light bulb	791822
Recirculation carbon filter	791823
Recirculation diverter	791820

### Fan ratings

Maximum air movement	800m <sup>3</sup> /hr
Maximum motor performance	1200cm/hr
Maximum sound rating	65dBA

### Installation and cleaning

Dishwasher safe filters	3
Ducted	Top extraction
Two piece height adjustable	•

**Performance**

Airflow balancing plate	•
Extraction type	<b>Surface</b>
Fan speeds	<b>3</b>
Filter type	<b>Mesh</b>
Number of filters	<b>3</b>

**Power requirements**

Lighting power	<b>100W</b>
Motor power	<b>270W</b>
Supply frequency	<b>50Hz</b>
Total Power	<b>370W</b>

**Product dimensions**

Depth	<b>500mm</b>
Height	<b>595 - 1035mm</b>
Width	<b>898mm</b>

**Product information**

Control type	<b>Capacitive touch</b>
--------------	-------------------------



**Ventilation features**

Dimmable lights	•
Filter cleaning alert	•
Timer function	•

SKU	50127
-----	-------

The product dimensions and specifications in this page apply to the specific product and model. Under our policy of continuous improvement, these dimensions and specifications may change at any time. You should therefore check with Fisher & Paykel's Customer Care Centre to ensure this page correctly describes the model currently available. ? Fisher & Paykel Appliances Ltd 2020

**Other product downloads available at fisherpaykel.com**

- [↓](#) User Guide
- [↓](#) User Guide 
- [↓](#) Service & Warranty
- [↓](#) Installation Guide
- [↓](#) Installation Guide 
- [↓](#) Data Sheet Wall Rangehood

**A PEACE OF MIND SALE****24 Hours 7 Days a Week Customer Support****T 400 640 8777 Wwww.fisherpaykel.com**