

Freestanding Refrigerator, 63.5cm, 424L

Series 5 | Contemporary

Stainless Steel | Right Hinge

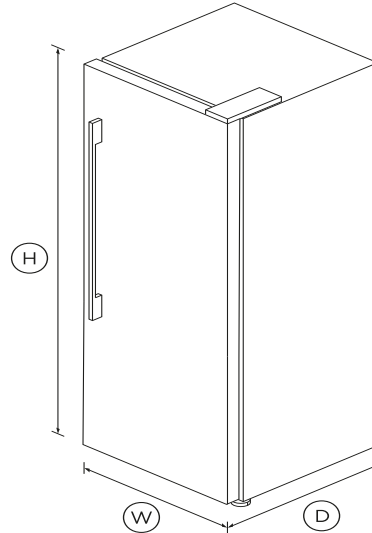


This Freestanding refrigerator has all the space you need to keep your food chilled, and pairs well with a freestanding freezer.

- To complete the set, choose a left hinge freestanding freezer to complement your refrigerator

DIMENSIONS

Height	1695mm
Width	635mm
Depth	730mm



SPECIFICATIONS

Capacity

Total net volume	424L
Volume refrigerator	424L

Features

Adjustable door shelves	3
Adjustable half width door	4
Covered door shelves	1

Door alarm	•
Fruit and vegetable bins	1
Full width door shelves	3
Rear rollers	•

Performance

Adaptive defrost	•
Air circulation fan	•

Product dimensions

Depth	730mm
Height	1695mm
Width	635mm

Warranty

Parts and labour	2 years
Sealed system parts only	5 years

SKU	25552
-----	-------

The product dimensions and specifications in this page apply to the specific product and model. Under our policy of continuous improvement, these dimensions and specifications may change at any time. You should therefore check with Fisher & Paykel's Customer Care Centre to ensure this page correctly describes the model currently available. ? Fisher & Paykel Appliances Ltd 2020

Other product downloads available at fisherpaykel.com



Service & Warranty



Installation & User Guide



A PEACE OF MIND SALE

24 Hours 7 Days a Week Customer Support

T +65 6741 0777 **W**www.fisherpaykel.com